

## 型号: SBT710A

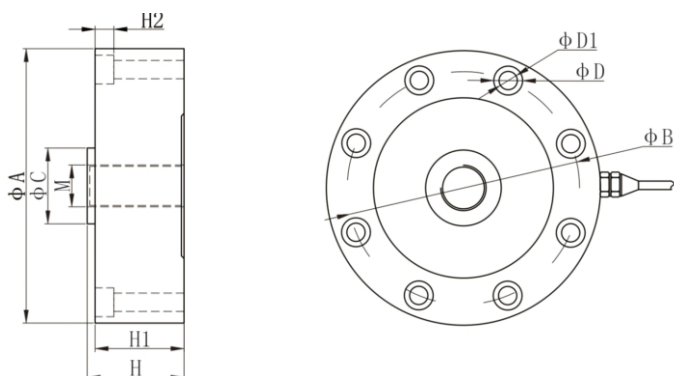


可定做: 高温

### 特点 / Characteristics

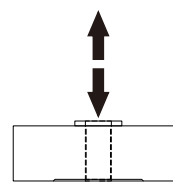
- 采用传感器专用合金钢材料制造，胶密封处理，表面阳极氧化，适用于多种工况，结构简单，安装方便。适用于试验机，油压机，冷热压机，电子吊钩称，料斗称等。
- Using sensors is special alloy steel materials, rubber sealing treatment, surface anodic oxidation, applicable to a variety of conditions, simple structure, convenient installation. Apply to the testing machine, hydraulic press, heat and cold press, electronic hook, said bin said, etc.

### 安装尺寸 / Mounting dimensions

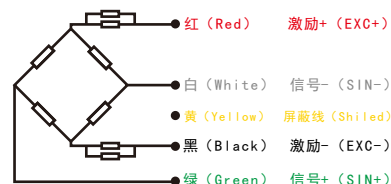


量程	ΦA	ΦB	ΦC	M	H	H1	H2	ΦD	ΦD1
20-1000KG	74	63	24	M16*1.5	34	30	7.2	8-Φ9	8-Φ6
1-5T	105	89	32	M16*1.5	37	34	7.2	8-Φ11	8-Φ7
10-20T	120.6	101.8	39	M32*1.5	53.5	41	10.5	8-Φ14	8-Φ9
30T	141	116.8	50.4	M40*1.5	57.2	50.8	11	8-Φ18	8-Φ11

### ● 受力方式 / Force mode



### ● 接线方法 / Wiring method



### 技术参数 / Technical parameter

量程 (Measuring range)	20/50/100/200/500/1000 KG, 1/2/3/5/10/20/30 T		
综合误差 (Composite Error)	≤ ±0.05%	灵敏度温度影响 (Sensitivity temperature effect)	±0.025%F.S/10℃
非线性 (Non-linear)	0.05%	零点温度影响 (Zero temperature effect)	±0.025%F.S/10℃
灵敏度 (Sensitivity)	2.0 ± 10% mV/V	温度补偿范围 (Temperature compensation range)	-20~60℃
蠕变 (Creep)	±0.03%F.S/30min	使用温度范围 (Operating temperature range)	-20~60℃
零点输出 (Zero output)	±2.0%F.S	激励电压 (Excitation voltage)	5~15V
输入阻抗 (Input impedance)	700 ± 10Ω	安全过载范围 (SAFE overload range)	120%F.S
输出阻抗 (Output impedance)	700 ± 5Ω	极限过载范围 (Limit Overload Range)	150%F.S
绝缘电阻 (Insulation Resistance)	≥ 5000MΩ/100V DC	防护等级 (Protection level)	Ip66