

型号 : SBT710(大)

特点与用途/Features&Application

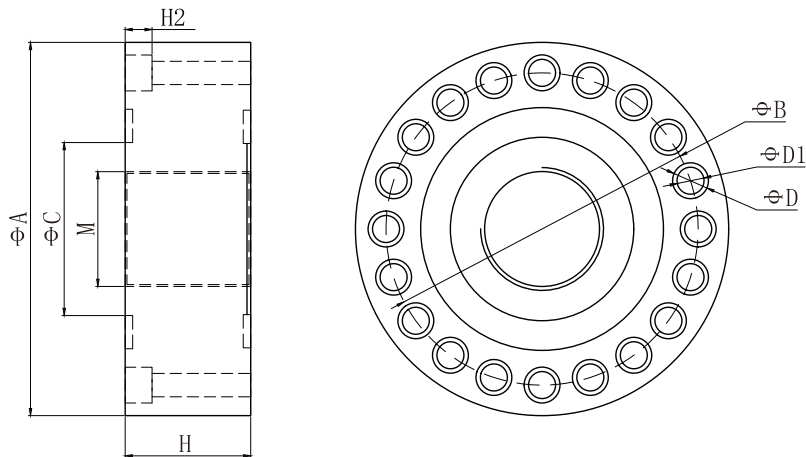
采用传感器专用不锈钢材质制造, 胶密封处理, 表面阳极氧化, 适用于多种工况, 结构简单, 安装方便。适用于试验机, 压装机, 油压机, 冷热压机, 电子吊钩称, 料斗称等



Using sensors is special stainless steel material manufacturing, rubber sealing processing, surface anodic oxidation, applicable to a variety of conditions,

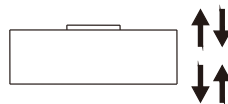
Simple structure, convenient installation. Apply to the testing machine, pressure machine, hydraulic press, heat and cold press, electronic hook, said bin said, etc

安装尺寸/Mounting Dimension

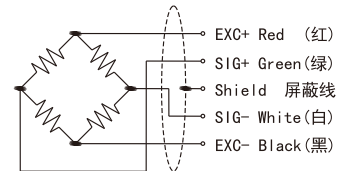


量程	φA	φB	φC	M	H	H2	φD	φD1
40-80t	208	174	95	M64*3	70	15	16-φ20	16-φ13
100-250t	280	230	120	M76*3	90	20	16-φ30	16-φ17
300-450t	360	300	190	M100*3	110	20	20-φ40	20-φ25

受力方式/Load Direction



接线图/Wiring



技术参数/Technical Parameters

参数	Specifications	技术指标/Technique
传感器量程	Rated load	50, 100, 200, 300, 450T
综合误差	Comprehensive error	≤ ±0.05%
非线性	Non-linearity	0.05%
灵敏度	Rated output	2.0 ± 10% mV/V
蠕变	Creep	±0.03% F.S. / 30min
零点输出	Zero balance	±0.2 F.S.
输入阻抗	Input resistance	700 ± 10 Ω
输出阻抗	Output resistance	700 ± 5 Ω
绝缘电阻	Insulation resistance	≥ 5000 MΩ / 100VDC
灵敏度温度影响	Temp. effect on span	±0.025% F.S. / 10°C
零点温度影响	Temp. effect on zero	±0.025% F.S. / 10°C
温度补偿范围	Compensated temp range	-20 ~ 60°C
使用温度范围	Use temp range	-20 ~ 60°C
激励电压	Excitasion voltage	5 ~ 15V
安全过载范围	Safe overload	120% F.S.
极限过载范围	Ultimate overload	150% F.S.
防护等级	Defend grade	Ip66