

型号 : SBT760F

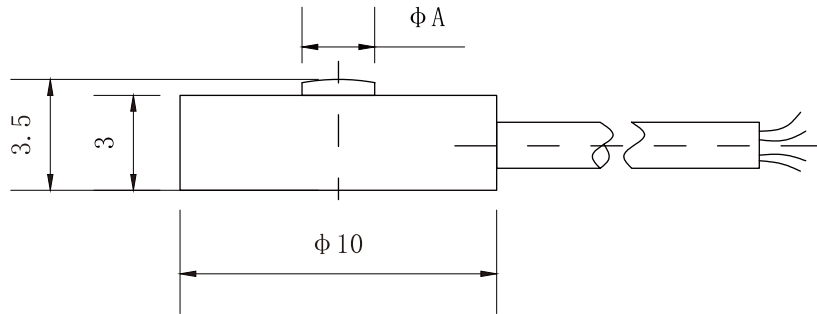
特点与用途/Features&Application

采用传感器专用材质打造的微型传感器。
适用于各路小空间测力，广泛应用于工业 研发等领域的测量和控制。



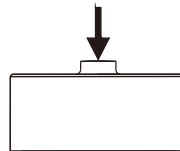
Sensors use special material of the micro sensor.
Applicable to various small space load, are widely used in the industrial development in the areas of measurement and control.

安装尺寸/Mounting Dimension

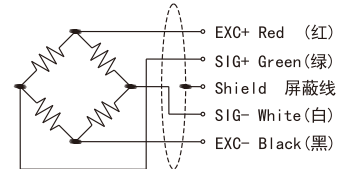


量程 (KG)	φ A
2, 5, 10, 20	2
30, 50, 100	2.3

受力方式/Load Direction



接线图/Wiring



技术参数/Technical Parameters

参数	Specifications	技术指标/Technique
传感器量程	Rated load	5, 10, 20, 50, 100kg
综合误差	Comprehensive error	≤ ±1%
非线性	Non-linearity	1%
灵敏度	Rated output	2.0 ± 10% mV/V
蠕变	Creep	±1% F.S. / 30min
零点输出	Zero balance	±0.2 F.S.
输入阻抗	Input resistance	800~1100Ω
输出阻抗	Output resistance	800~1100Ω
绝缘电阻	Insulation resistance	≥5000MΩ/100VDC
灵敏度温度影响	Temp. effect on span	±0.5% F.S. / 10°C
零点温度影响	Temp. effect on zero	±0.5% F.S. / 10°C
温度补偿范围	Compensated temp range	-10~60°C
使用温度范围	Use temp range	-20~80°C
激励电压	Excitasion voltage	5~10V
安全过载范围	Safe overload	120% F.S.
极限过载范围	Ultimate overload	150% F.S.
防护等级	Defend grade	Ip66