

型号 : SBT671

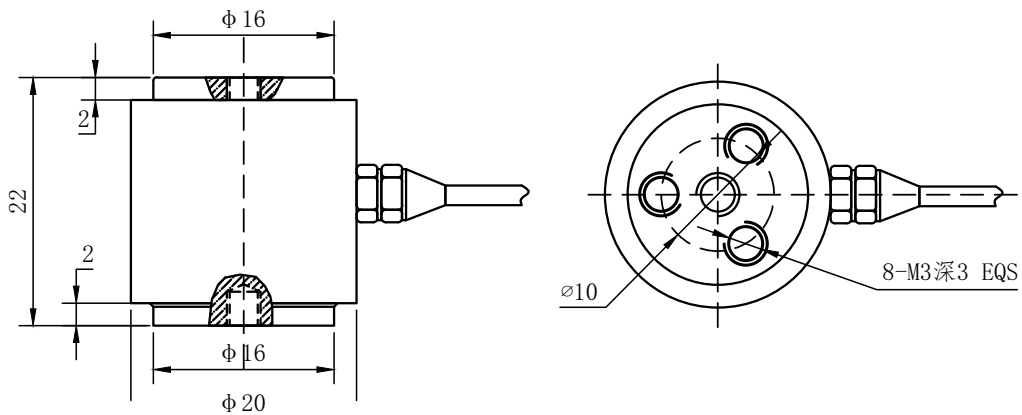
特点与用途/Features&Application



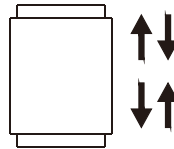
微型传感器、高度低、变形量小，不锈钢材料，拉压双向、动态响应频率高防过载，主要用于推拉力计、注塑和模具行业、机器人抓取、压入、拉压力的检测与控制、汽车装配力值检测等

Micro sensor, low height, small deformation, stainless steel materials, tension and compression bidirectional, dynamic response frequency is high, Prevent overload, it is mainly used for pushing tension meter, injection molding and mold industry, robot grab, pumped, Pull pressure detection and control, car assembly force value, etc

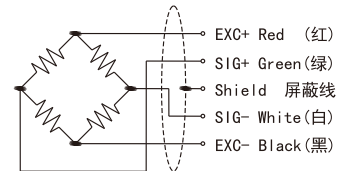
安装尺寸/Mounting Dimension



受力方式/Load Direction



接线图/Wiring



技术参数/Technical Parameters

| 参数 | Specifications | 技术指标/Technique |
|---------|------------------------|---|
| 传感器量程 | Rated load | 20, 50, 100, 200, 300, 500, 1000, 2000N |
| 综合误差 | Comprehensive error | ≤ ±0.05% |
| 非线性 | Non-linearity | 0.05% |
| 灵敏度 | Rated output | 2.0 ± 10% mV/V |
| 蠕变 | Creep | ±0.1% F.S. / 30min |
| 零点输出 | Zero balance | ±0.05 F.S. |
| 输入阻抗 | Input resistance | 650 ± 10 Ω |
| 输出阻抗 | Output resistance | 650 ± 10 Ω |
| 绝缘电阻 | Insulation resistance | ≥ 5000 MΩ / 100VDC |
| 灵敏度温度影响 | Temp. effect on span | ±0.05% F.S. / 10°C |
| 零点温度影响 | Temp. effect on zero | ±0.05% F.S. / 10°C |
| 温度补偿范围 | Compensated temp range | -10 ~ 60°C |
| 使用温度范围 | Use temp range | -20 ~ 80°C |
| 激励电压 | Excitasion voltage | 5 ~ 12V |
| 安全过载范围 | Safe overload | 150% F.S. |
| 极限过载范围 | Ultimate overload | 200% F.S. |
| 防护等级 | Defend grade | Ip66 |