

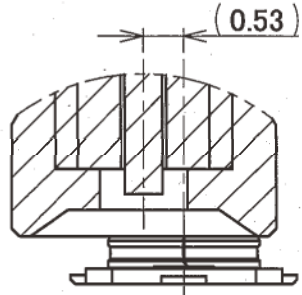
PART No.
90575-0001

Notes

1. Material

- (1) GND Contact : Stainless steel
Au plating
- (2) GND Body : Brass
Ni plating
- (3) Contact Probe : Brass
Au plating
- (4) Pin Contact : Beryllium copper
Au plating
- (5) Insulator : PTFE

2. Axial misalignment distances :



3. To stabilize electrical performance and to avoid damage to mating area, stroke angle need to be kept vertical to PCB with tolerance of $\pm 2^\circ$

4. Connector to be mated :

- MHF series micro coaxial connector receptacle vertical
(P/N : 20279-001E-01,02,03)
- MHF series micro coaxial connector receptacle vertical
(Ground contact : silver plating)
(P/N : 20314-001E-01)
- MHF series micro coaxial connector receptacle vertical 4 pads type
(P/N : 20441-001E-01)
- MHF-A CONNECTOR RECEPTACLE ASS'Y
(P/N : 20429-001E)

Durability : 10000 cycles MAX.

5. Product for connection

- 4.5MM HIGH CYCLE TEST PROBE CABLE ASS'Y
(P/N : 90577-****)

Durability : 100 cycles MAX.

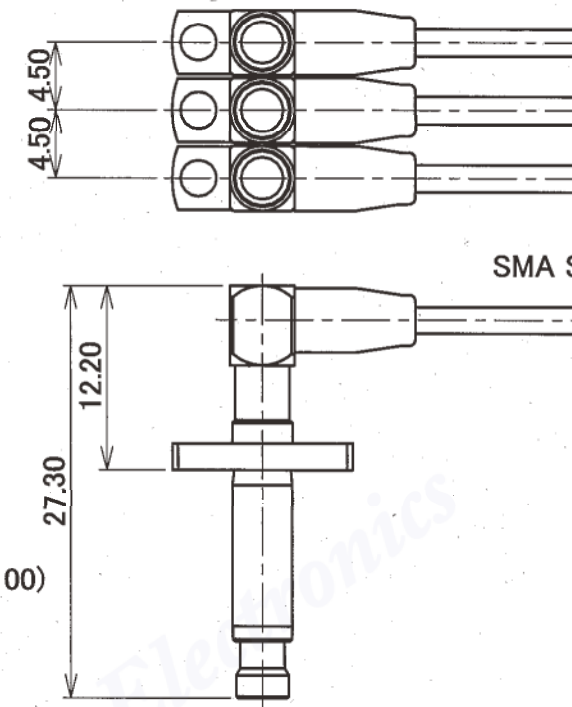
6. Insulation Resistance : 500M Ω MIN. at DC100V

7. Withstanding Voltage : AC300V

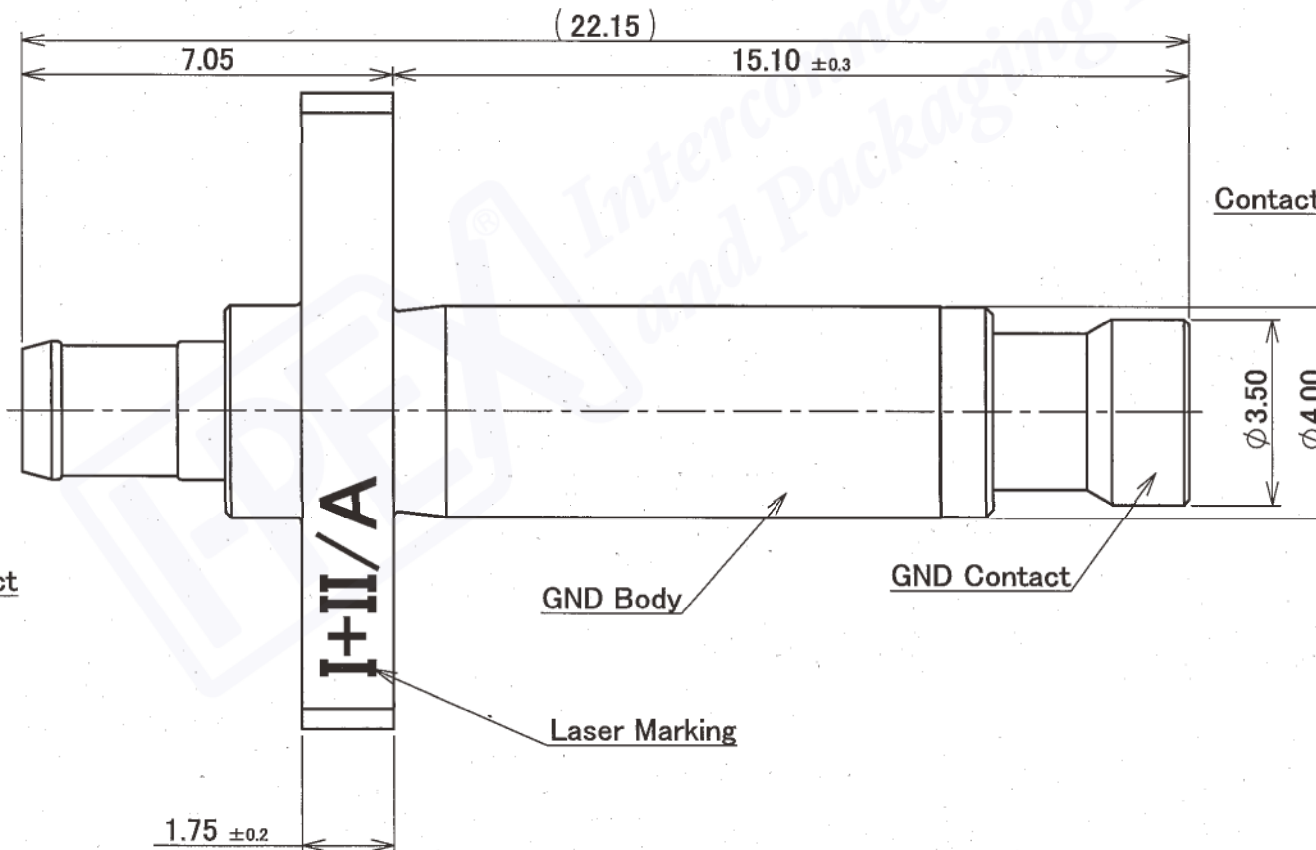
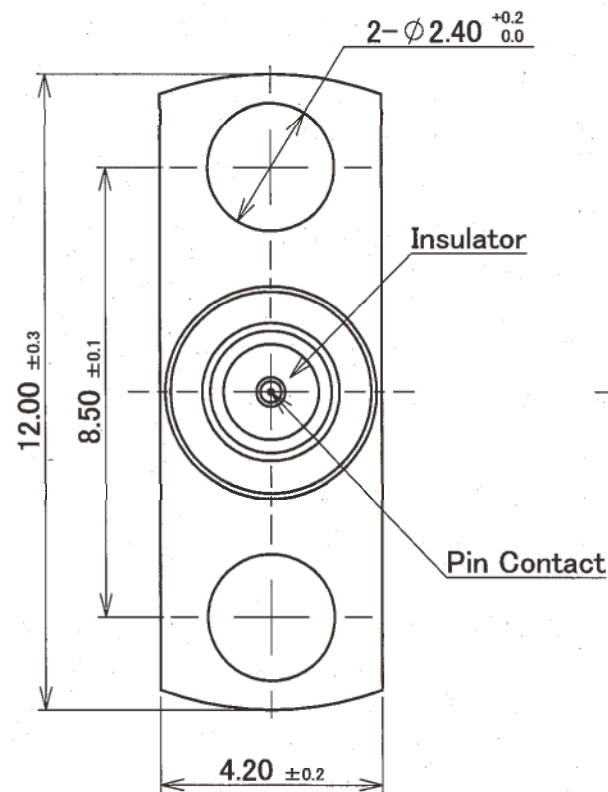
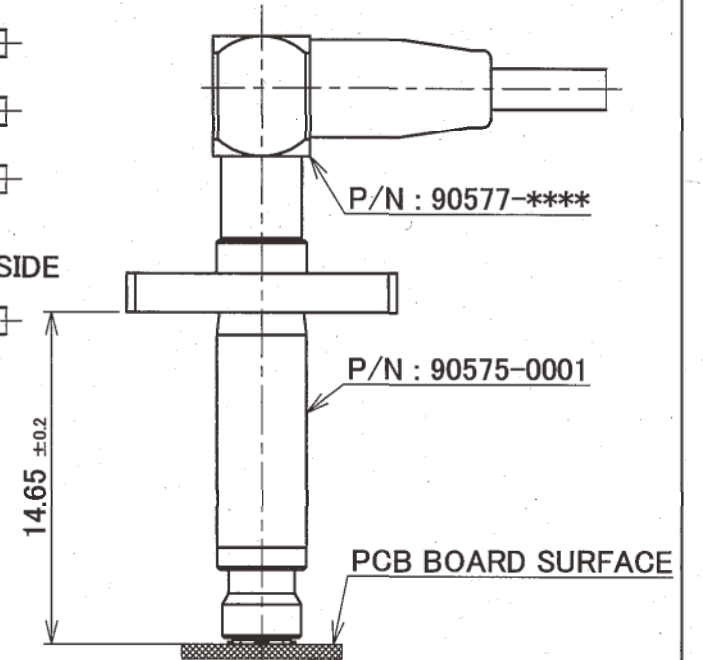
8. Voltage Standing Wave Ratio(V.S.W.R.) :

- Mated to 4.5MM HIGH CYCLE TEST PROBE CABLE ASS'Y (P/N : 90577-0100)
- 1.3 MAX.(DC to 3GHz)
- 1.5 MAX.(3GHz to 6GHz)

【Use image】(S=2:1)

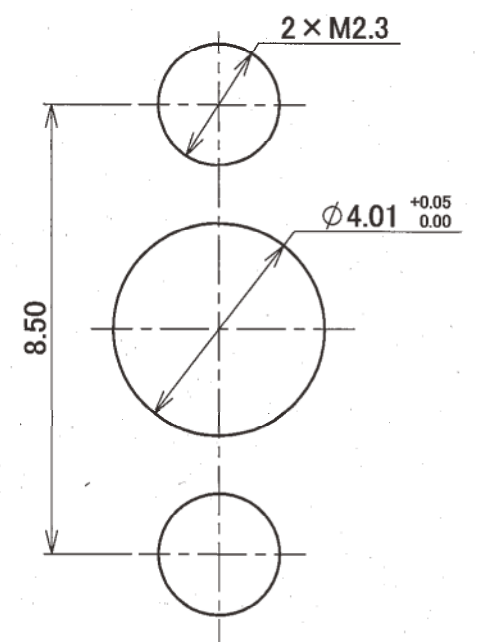


【Recommend load position】(S=3:1)



Contact Probe

【Recommend panel cutout】



GENERAL TOLERANCE	
6 MAX.	±0.2
6 OVER MAX. 30	±0.3
30 OVER MAX. 120	±0.5
ANGLE	±2°

I-PEX DAI-CHI SEIKO CO.,LTD.
I-PEX Business Company

TITLE
4.5MM HIGH CYCLE TEST PROBE
FOR MHF/MHFA

SERIES No.	R1	CUSTOMER COPY	PROJECTION	SCALE	UNIT	DWG. No.	SHEET	REV.
				7:1	mm	90575	1/1	7