

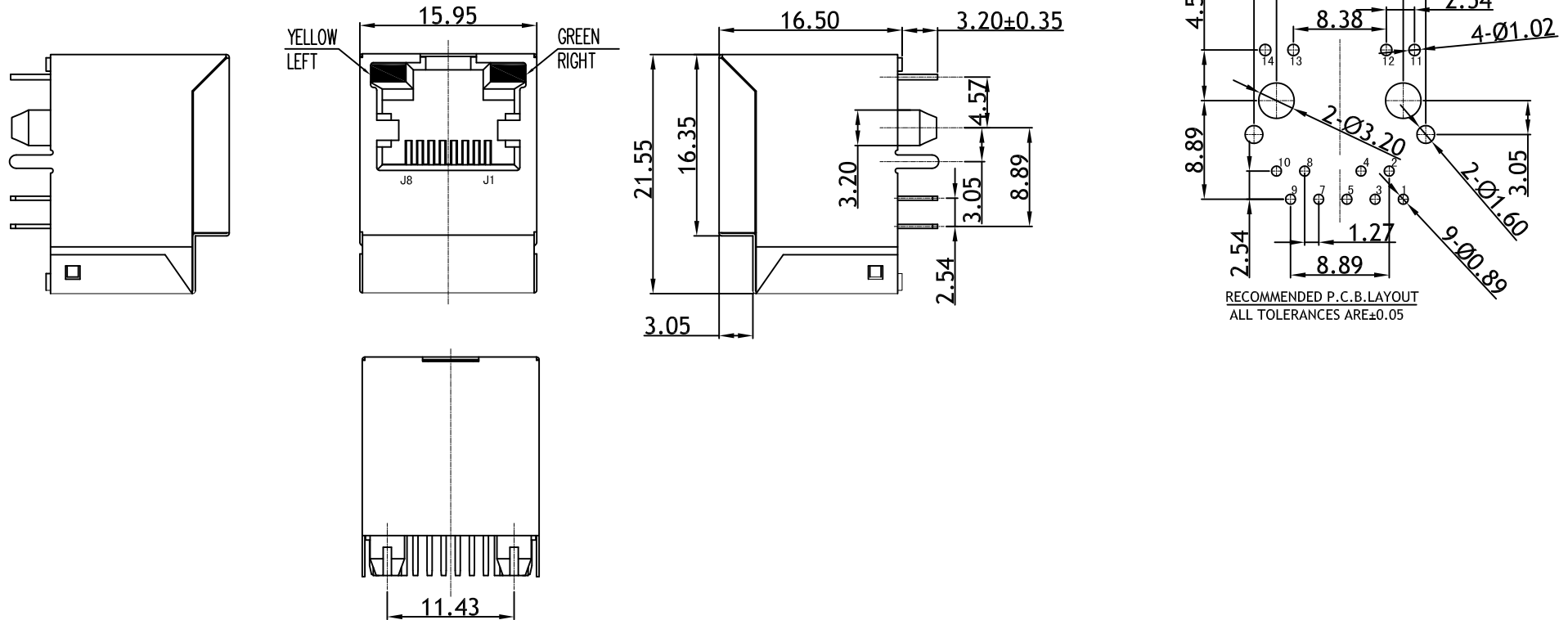
RoHS COMPLIANT

MATERIAL:

HOUSING: LCP,UL94V-0,BLACK.
 TERMINALS BRACKET: PBT/PA46,UL94V-0,BLACK.
 SHIELD: C2680,T=0.20MM,NICKEL PLATING ON ALL AREA.
 TERMINAL: PHOSPHOR BRONZE C5210,T=0.35MM,
 6U" GOLD PLATING ON CONTACT AREA.

MECHANICAL:

DURABILITY: 750 CYCLES MIN.
 MATING FORCE: 23N MAX.
 OPERATING TEMPERATURE: -40°C~+85°C.
 STORAGE TEMPERATURE: -40°C~+85°C.
 ALL CRITICAL DIMENSIONS WITH "*"

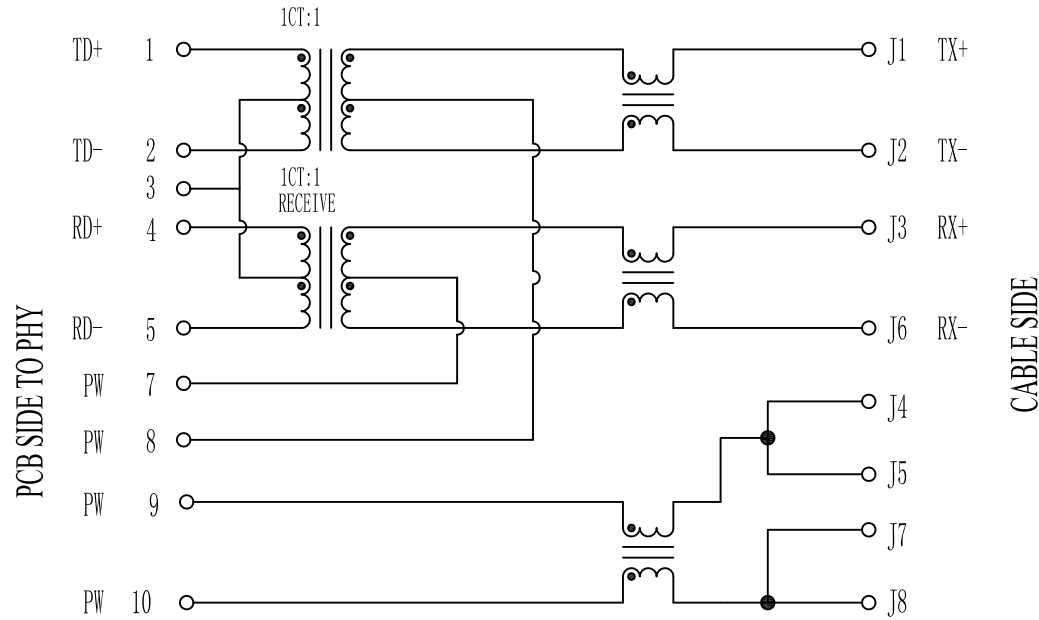


						Angle	±2°	DESIGN	Aple	2016.05.29	
						X.	±0.40	CHECK	Jason	2016.05.29	
						X.X	±0.35	APPROVAL	Rix	2016.05.29	
ECN NO.	REV	DATE	DESCRIPTION	CHANGE	APPRO.	GENERAL TOLERANCE UNLESS OTHERWISE NOTED		SCALE: N/A	UNIT:mm	A4	SHEET: 1 of 3

•Könen ELEKTRONIK

TITLE: RJ45 1port TAB-UP 100BASE POE 帶缺口
 MODEL NO. KPTJ45-350-0601
 THIS DRAWING CONTAINS INFORMATION THAT IS PROPRIETARY TO DRAGON WELL AND SHOULD NOT BE USED WITHOUT WRITTEN PERMISSION

RoHS COMPLIANT

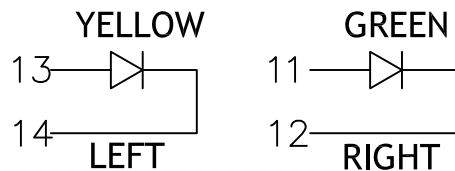


Electrical:

- Turn ratio: 1~2: J1~J2=1CT:1CT(±2%).
4~5: J3~J6=1CT:1CT(±2%).
- OCL: 350uH Min. @ 100KHz 100mV RMS(4Channel) 8mA DC BIAS.
- Insertion Loss: -1.0 dB Max 1~100MHz.
- Return loss: -20dB Min 1~10MHz;
-16dB Min 10~30MHz;
-12dB Min 30~60MHz;
-10dB Min 60~80MHz.
- Cross talk: -40dB Min 1~30MHz;
-35dB Min 30~60MHz;
-30dB Min 60~100MHz;
- CMR: -30dB Min 1~100MHz;
- Hi-Pot: 500V AC 6S 1mA PRI TO SEC
- Single port magnetic jack POE magnetics acc. To IEEE802.3af for PSE or PD applications.
- 100% of production tested to comply with IEEE 802.3 isolation requirements balanced DC line current 350mA max. @57V DC continuous.

LED Specification

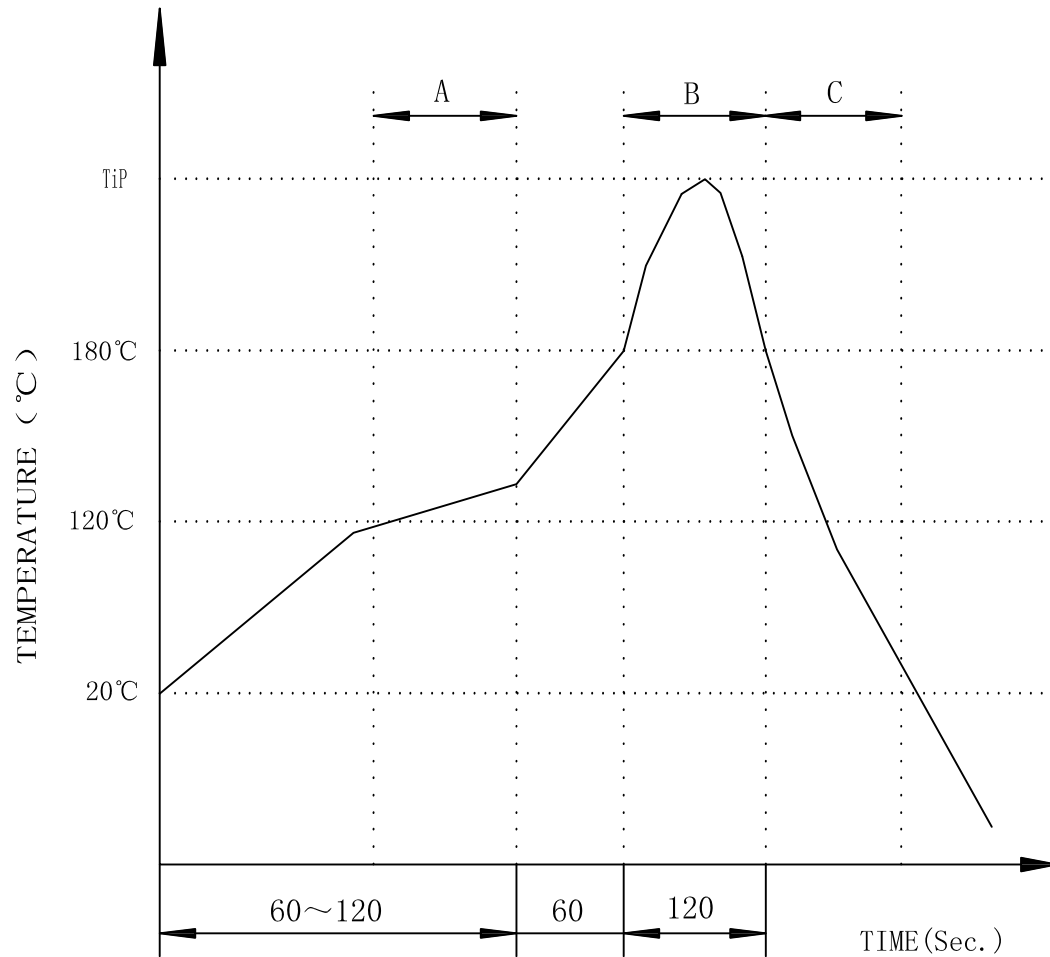
Standard LED Color	LED Wavelength	Foward(A)	Foward(V)
Green	568nm	20mA	1.85-2.45V
Yellow	585nm	20mA	1.7-2.2V



						Angle	±2°	DESIGN	Aple	2016.05.29	•Könen ELEKTRONIK	
						X.	±0.40	CHECK	Jason	2016.05.29		
						X.X	±0.35	APPROVAL	Rix	2016.05.29		
ECN NO.	REV	DATE	DESCRIPTION	CHANGE	APPRO.	GENERAL TOLERANCE UNLESS OTHERWISE NOTED		SCALE: N/A	UNIT:mm	A4	SHEET: 2 of 3	TITLE: RJ45 1port TAB-UP 100BASE POE 帶缺口
	A-0	2016.05.29	NEW	Michael	Rix	X.XX	±0.30					MODEL NO. KPTJ45-350-0601

THIS DRAWING CONTAINS INFORMATION THAT IS PROPRIETARY TO DRAGON WELL AND SHOULD NOT BE USED WITHOUT WRITTEN PERMISSION

PROFILE OF WAVE SOLDER



A.Preheating B.Soldering C.Gradual Cooling
 Tip temperature:260±5°C.
 Tip temperature time:5Sec Max.
 Tip melting point of Sn96.5/Ag3/Cu0.5:217°C.

Remarks: after wave soldering, the plastic positioning columns of the product which under the PCB will be slightly melted, but it won't affect its function.

						Angle	±2°	DESIGN	Aple	2016.05.29		•Könen ELEKTRONIK	
						X.	±0.40	CHECK	Jason	2016.05.29			TITLE:
						X.X	±0.35					MODEL NO.	KPTJ45-350-0601
ECN NO.	REV	DATE	DESCRIPTION	CHANGE	APPRO.	X.XX	±0.30	APPROVAL	Rix	2016.05.29			
						GENERAL TOLERANCE UNLESS OTHERWISE NOTED		SCALE: N/A	UNIT:mm	A4	☉	SHEET: 3 of 3	THIS DRAWING CONTAINS INFORMATION THAT IS PROPRIETARY TO DRAGON WELL AND SHOULD NOT BE USED WITHOUT WRITTEN PERMISSION