



REV.	ECN NO OR DESCRIPTION	REVISED	DATE

A

A

B

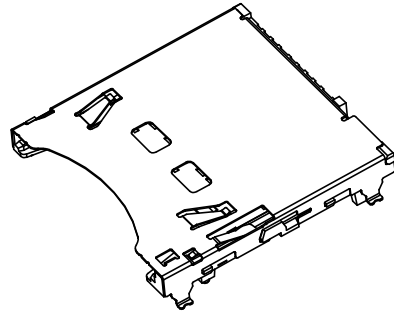
B

C

C

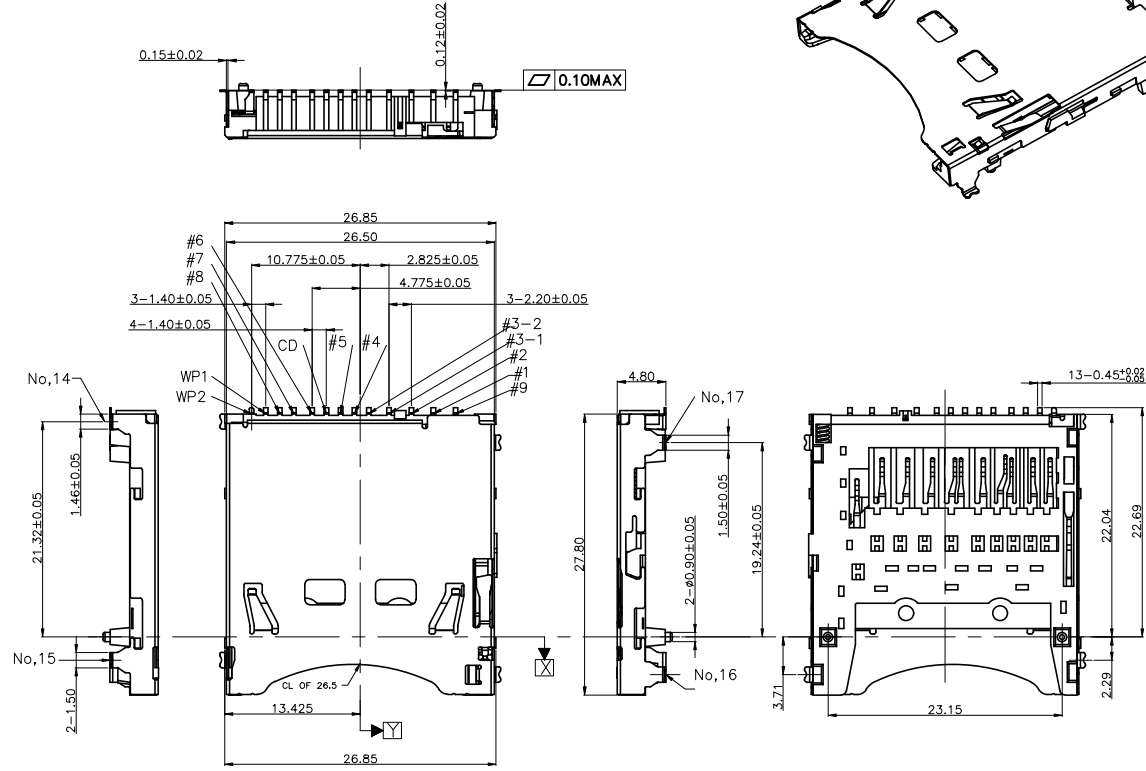
D

D

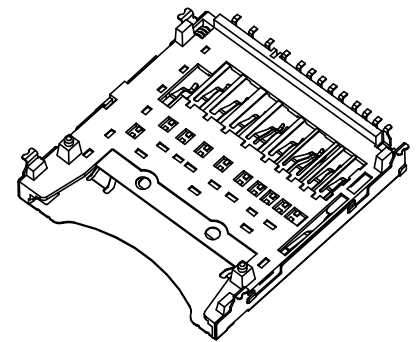
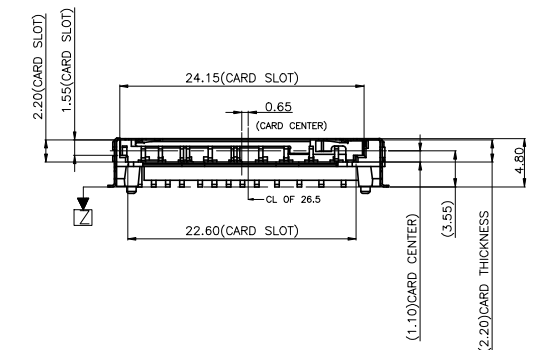


NOTE:

- MATERIAL:
 - 1-1 PLASTICS: LCP E4711 WITH 30% GF, UL94V-0, BLACK-HF
 - 1-2 CONTACTS: C5210-EH THICKNESS=0.12±0.02
 - 1-3 SHELL: SUS301-3/4H THICKNESS=0.15±0.02
- PLATING:
 - 2-1 CONTACTS:
 - 2-1-1 CONTACT AREA: (1u")MIN Gold PLATING ON CONTACT AREA PLATING OVER NI 50u" MIN
 - 2-1-2 SOLDER TALL AREA: MATTE-TIN 80u" MIN PLATING OVER NI 50u" MIN
 - 2-2 SHELL:
 - 2-2-1 1u" MIN GOLD PLATED ON SOLDER TALLS 50u" MIN. NICKEL UNDERPLATING OVER ALL
- CONTACT AND TALL COPLANARITY TO BE 0.10mm MAX.
- PART MUST COMPLY TAI SOL HF WD-3-I-091 SPECIFICATION



	WRITE PROTECT SWITCH		CARD DETECT SWITCH
	WRITE PROTECT POSITION	WRITE ENABLE POSITION	
CARD UN INSERTION	OPEN		OPEN
CARD HALF INSERTION	CLOSE		OPEN
CARD INSERTION	OPEN	CLOSE	CLOSE
N/O			



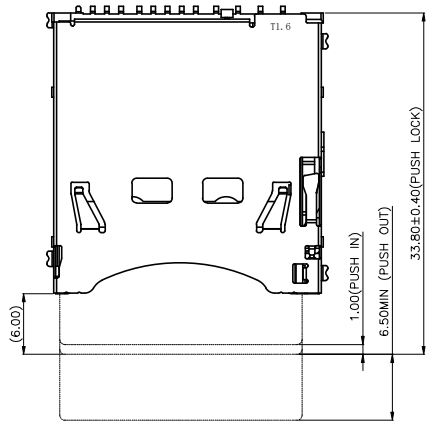
UNLESS OTHERWISE SPECIFIED TOLERANCES

DECIMALS:	ANGLES:	东莞市汉博电子科技有限公司 DONGGUAN HANBO TECHNOLOGY CO., LTD		
X : ±0.5	X : ±2°	TITLE	SD PUSH自弹加高垫高2.0	
X.X : ±0.20	X.X : ±1°	DWN	xiong	SD-115-B-2.0
X.XX : ±0.10		CHKD	lee	SCALE: 1:1 UNIT: mm
		APVD	wang	SIZE: A4 SHEET: 10F 1 REV: A4
CUSTOMER COPY				

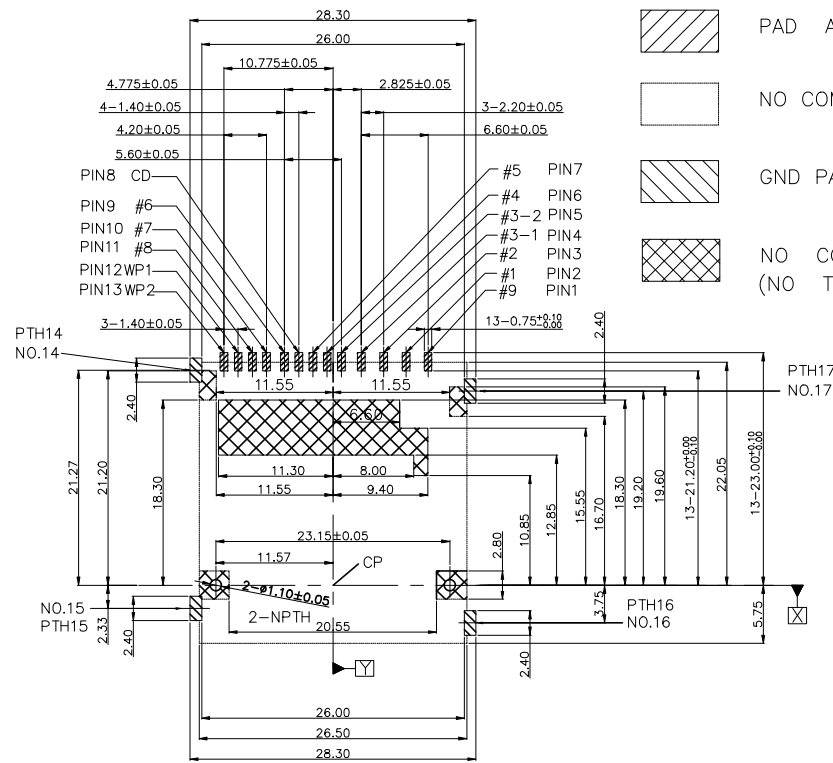


REV.	ECN NO OR DESCRIPTION	REVISED	DATE

CARD PUSH STATE



NO.	PIN #	FUNCTION	Discription
1	#9	DAT2	Data Line
2	#1	CD/DAT3	Card Detect/Data Line
3	#2	CMD	Command / Response
4	#3-1	VSS	Supply voltaqa ground
5	#3-2	VSS	Supply voltaqa ground
6	#4	VDD	Supply voltaqa
7	#5	CLK	Clock
8	CD	CARD DETECT	
9	#6	VSS	Supply voltaqa ground
10	#7	DAT0	Data Line
11	#8	DAT1	Data Line
12	WP1	WRITE PROTECT(VSS)	
13	WP2	WRITE PROTECT(VDD)	
14	FRAME	GND	
15	FRAME	GND	
16	FRAME	GND	
17	FRAME	GND	



NOTES:

- PAD AREA
- NO COMPONENT AREA
- GND PATTERN ONLY
- NO COPPER AREA (NO TRACE /VIA /GND)

UNLESS OTHERWISE SPECIFIED TOLERANCES

DECIMALS: X :±0.5 X.X :±0.20 X.XX :±0.10

ANGLES: X :±2° X.X :±1°

东莞市汉博电子科技有限公司
DONGGUAN HANBO TECHNOLOGY CO., LTD

TITLE	SD PUSH自研自产商標商2.0		
DWN	xiong	SD-115-B-2.0	
CHKD	lee	SCALE:1:1	UNIT: mm
APVD	wang	SIZE: A4	SHEET:10F 1
REV: A4			
CUSTOMER COPY			