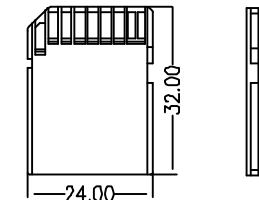
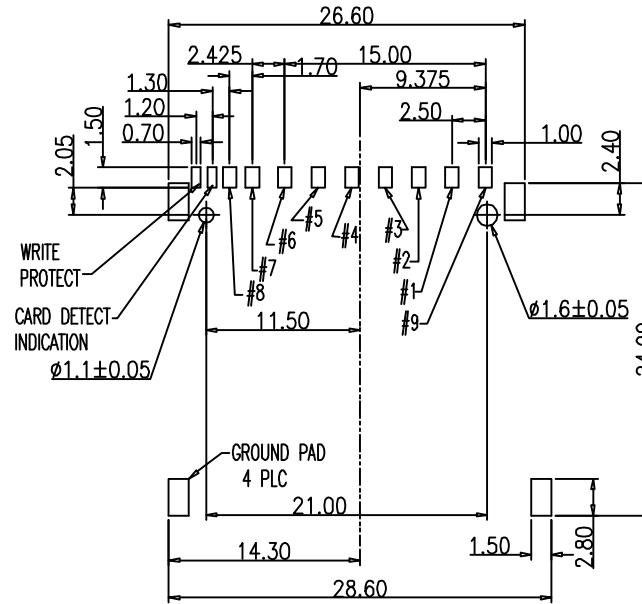
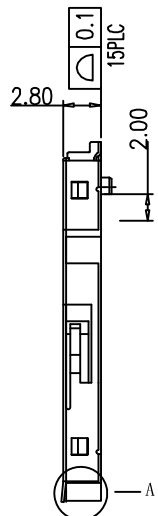
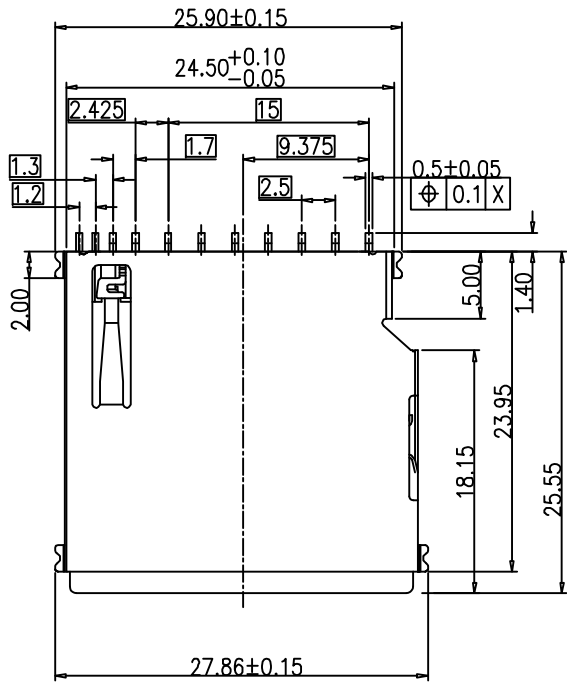




REV.	ECN NO OR DESCRIPTION	REVISED	DATE

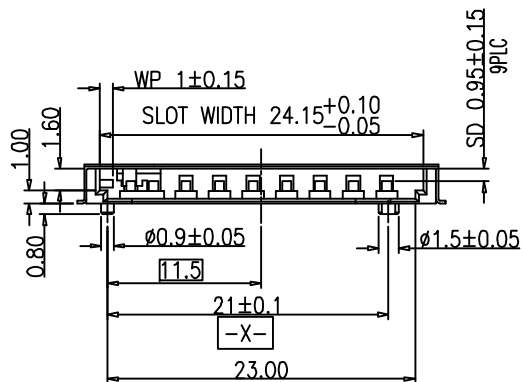


SD CARD

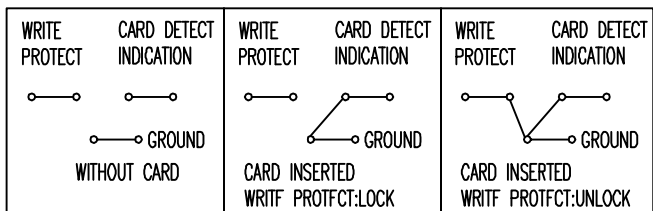
Note:

- Materials:
  - Housing: LCP 30%GP, UL94V-0, Colour: White, 260°C 30second
  - Contact: C2680, Gold plated 1U", Tin plated 100U" on Solder Tails
  - Shell: C2680, Nickel plated 100U"
- Main features:
  - Insertion force : 4.0kgf MAX
  - Extraction force: 0.1kgf MIN
  - Life cycle: 1000 times
  - Insulation resistance: 100Ω MIN 500V
  - Contact resistance: 100mΩ MAX

RECOMMENDED PCB LAYOUT  
(TOLERANCE:±0.1)



PIN Assignment			
PIN*	Name	Type	Card Detect/bete line[Bit3]
1	CD/DAT3	I/O/PP	Cornard/response
2	CMD	PP	Supply voltage
3	VSS1	S	Supply voltage ground
4	VDD	S	Supply voltage
5	CLK	I	Clock
6	VSS2	S	Supply voltage ground
7	DAT0	I/O/PP	Date line [Bit0]
8	DAT1	I/O/PP	Date line [Bit1]
9	DAT2	I/O/PP	Date line [Bit2]



UNLESS OTHERWISE SPECIFIED TOLERANCES

DECIMALS:	ANGLES:
X :±0.38	X :±2°
X.X :±0.25	X.X :±1°
X.XX :±0.13	
XX.XX :±0.05	



东莞市汉博电子科技有限公司  
DONGGUAN HANBO TECHNOLOGY CO., LTD

TITLE	SD CARD CONN PUSH LONG BODY SMT		
DWN	xiong	PART NO. SD-112	
CHKD	lee	SCALE:1:1	UNIT: mm
APVD	wang	SIZE: A4	SHEET:1OF 1
REV: A4			
CUSTOMER COPY			