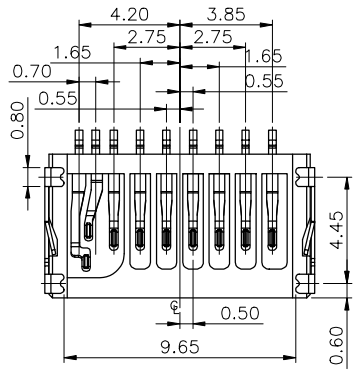
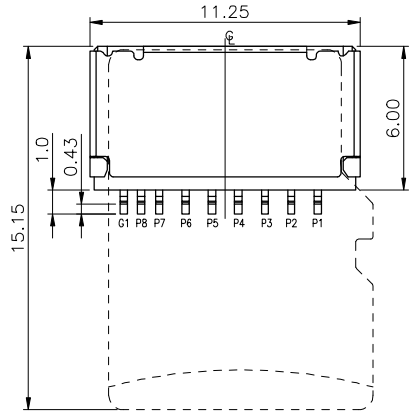
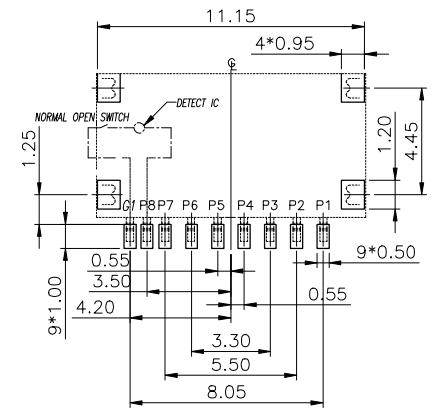
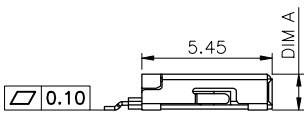
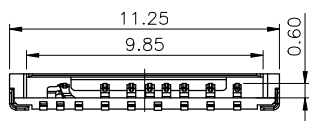
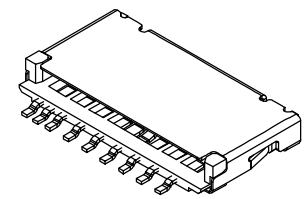




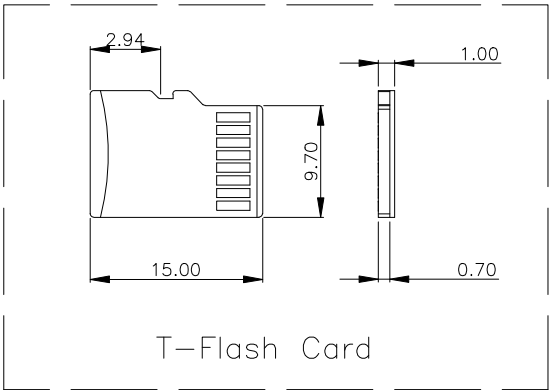
REV.	ECN NO OR DESCRIPTION	REVISED	DATE



Pin No.	Pin assignment
PIN1	DAT2
PIN2	CD/DAT3
PIN3	CMD
PIN4	VDD
PIN5	CLK
PIN6	VSS
PIN7	DAT0
PIN8	DAT1



RECOMMENDED P.C.B HOLE LAYOUT
COMPONENT SIDE VIEW(TOLERANCE: +/-0.05)



T-Flash Card

Specification:
 1. ELECTRICAL CHARACTERISTICS
 1-1. CONTACT RESISTANCE: 80 milliohms MAX.
 1-2. INSULATION RESISTANCE: 1,000 Megohms MIN.
 1-3. DIELECTRIC WITHSTANDING VOLTAGE: 500V AC FOR 1 MINUTE.
 2. MECHANICAL CHARACTERISTICS
 2-1. DURABILITY: 3,000 CYCLES
 3. RoHS 2002/95/EC COMPLIANT.

NO	DESCRIPTION	QTY	MATERIAL	PLATING & COLOR
C	SHELL	1	STAINLESS STEEL 0.15t	Ni PLATING
B	CONTACT	9	COPPER ALLOY 0.15t	Gold Flash On Contact Area Tin plated on Solder tail All over Nickel Plated .
A	HOUSING	1	HIGH-TEMPERATURE PLASTIC UL94-V0	BLACK

UNLESS OTHERWISE SPECIFIED TOLERANCES		东莞市汉博电子科技有限公司 DONGGUAN HANBO TECHNOLOGY CO., LTD			
DECIMALS:	ANGLES:	TITLE	T-FLASH 簡易卡		
X :±0.5	X :±2°	DWN	xiong	TF-018	
X.X :±0.20	X.X :±1°	CHKD	lee	SCALE:1:1	UNIT: mm
X.XX :±0.10		APVD	wang	SIZE: A4	SHEET:10F 1
CUSTOMER COPY					