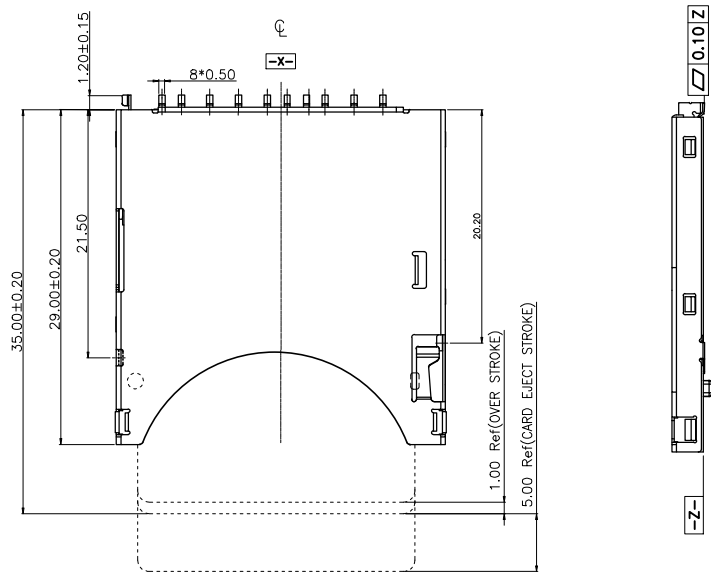




REV.	ECN NO OR DESCRIPTION	REVISED	DATE

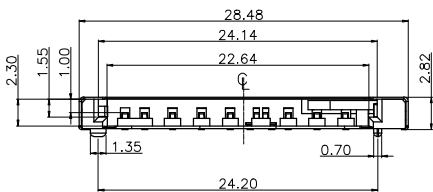


**MATERIAL:**

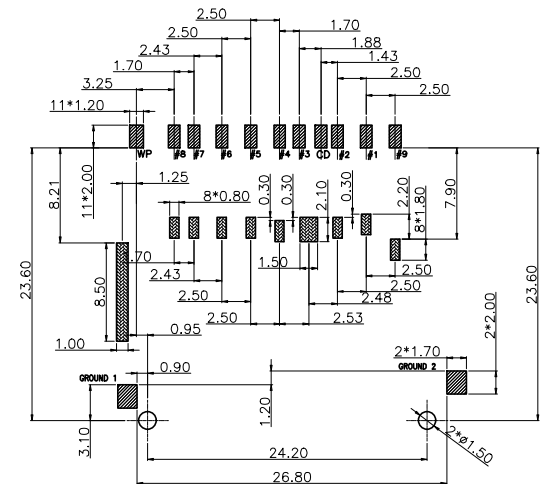
Insulator: High Temperature Thermoplastic, UL 94V-0.  
Contact: Copper Alloy

**Electrical:**

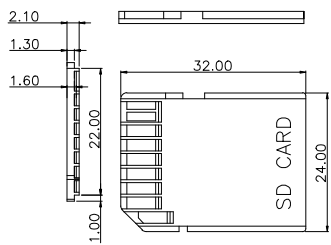
Current Rating :0.5mA AC/DC max.  
Voltage Rating :12V AC/DC  
Ambient Temperature Range :-20°C~+60°C  
Storage Temperature Range :-40°C~+70°C  
Ambient Humidity Range :95% R.H. Max.  
Contact Resistance:100mΩ max.  
Insulation Resistance:1000M Ωmin./500VDC  
Mating Cycles:5,000 Insertions  
Usable Memory Card: SD&MMC Card



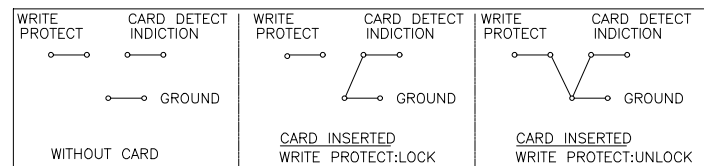
SD CARD PIN DESIGN			
PIN NO.	NAME	TYPE	DESCRIPTION
#1	CD/DAT3	I/O/PP	CARD DETECT/DATA LINE(BIT3)
#2	CMD	PP	COMMAND/RESPONSE
#3	VSS1	S	SUPPLY VOLTAGE GROUND
#4	VDD	S	SUPPLY VOLTAGE
#5	CLK	I	CLOCK
#6	VSS2	S	SUPPLY VOLTAGE GROUND
#7	DAT0	I/O/PP	DATA LINE(BIT 0)
#8	DAT1	I/O/PP	DATA LINE(BIT 1)
#9	DAT2	I/O/PP	DATA LINE(BIT 2)



Welding area  
prohibited layout area  
Recommend PCB Layout Drawing



**CIRCUIT:**



UNLESS OTHERWISE SPECIFIED TOLERANCES

DECIMALS: ANGLES:  
X :±0.30 X :±2°  
X.X :±0.20 X.X :±1°  
X.XX :±0.10

**东莞市汉博电子科技有限公司**  
DONGGUAN HANBO TECHNOLOGY CO., LTD

TITLE	SD CARD PUSH PUSH 2.8H CONN.		
DWN	xiong	SD-111S	
CHKD	lee	SCALE:1:1	UNIT: mm
APVD	wang	SIZE: A4	SHEET:10F 1
REV: A4			
CUSTOMER COPY			