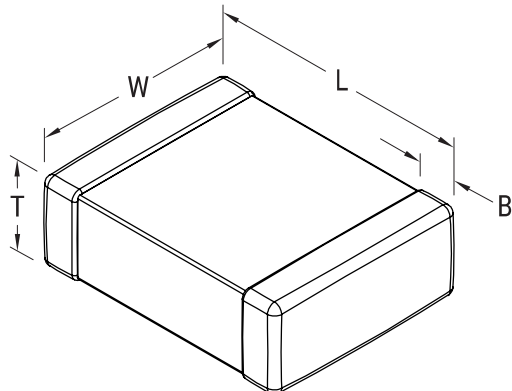


KEMET Part Number: C1825H562JDGACTU
(C1825H562JDGAC7800)

KEMET

a YAGEO company

SMD Indust COG HVHT200C, Ceramic, 5600 pF, 5%, 1000 VDC, COG, SMD, MLCC, High Temperature, Ultra-Stable, Low Loss, 1825



Dimensions

Chip Size	1825
L	4.5mm +/-0.3mm
W	6.4mm +/-0.4mm
T	1.6mm +/-0.20mm
B	0.6mm +/-0.35mm

Packaging Specifications

Packaging:	T&R, 180mm, Plastic Tape
Packaging Quantity:	1000

General Information

Series:	SMD Indust COG HVHT200C
Style:	SMD Chip
Description:	SMD, MLCC, High Temperature, Ultra-Stable, Low Loss
Features:	High Temp, Ultra-Stable, Low Loss
RoHS:	Yes
Termination:	Tin
Marking:	No
AEC-Q200:	No
Component Weight:	230 mg
Shelf Life:	78 Weeks
MSL:	1

Specifications

Capacitance:	5600 pF
Measurement Condition:	1 kHz 1.0Vrms
Capacitance Tolerance:	5%
Voltage DC:	1000 VDC
Dielectric Withstanding Voltage:	1200 VDC
Temperature Range:	-55/+200°C
Temperature Coefficient:	COG
Capacitance Change with Reference to +25°C and 0 VDC Applied (TCC):	30 ppm/C, 1kHz 1.0Vrms
Dissipation Factor:	0.1% 1 kHz 1.0Vrms
Aging Rate:	0% Loss/Decade Hour
Insulation Resistance:	100 GOhms

Statements of suitability for certain applications are based on our knowledge of typical operating conditions for such applications, but are not intended to constitute - and we specifically disclaim - any warranty concerning suitability for a specific customer application or use. This Information is intended for use only by customers who have the requisite experience and capability to determine the correct products for their application. Any technical advice inferred from this Information or otherwise provided by us with reference to the use of our products is given gratis, and we assume no obligation or liability for the advice given or results obtained.

KEMET

a YAGEO company