

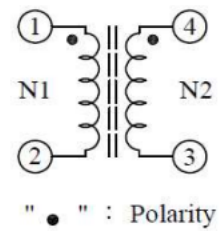
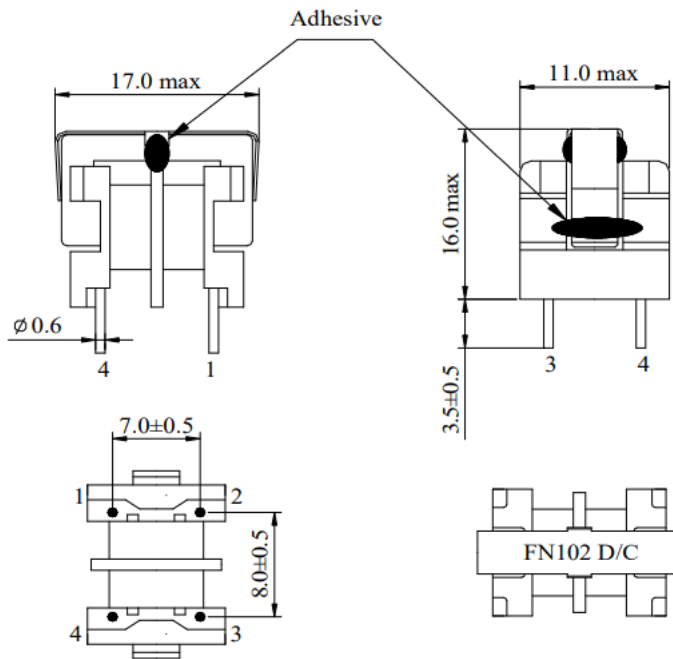
SPECIFICATION FOR APPROVAL

产品规格书

产品型号 P/N: UU09-F080N-102W

1. 安装尺寸及外形图 (CONFIGURATION & DIMENSIONS)

2. 原理图 (SCHEMATIC)



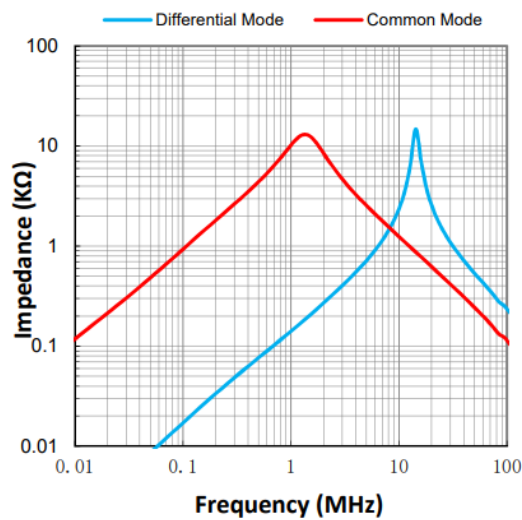
3. 电气参数 (ELECTRICAL SPECIFICATIONS)

No	Item	Specification	Condition	Test instrument
2-1	Rated Voltage	AC 250V rms Max.	50 / 60 Hz	
2-2	Rated Current	0.80 A rms	50 / 60 Hz	
2-3	Inductance	1.0 mH -10% / +100%	1KHz / 1Vrms	HP4284A or equal
2-4	Different Inductance	$ L1-L2 \leq 60 \mu H$	1KHz / 1Vrms	HP4284A or equal
2-5	DC Resistance	$\leq 0.5 \Omega$	Per line @ 20°C	CH520BC or equal
2-6	Withstanding Voltage	No damage	AC2000V / 1 min Cutoff current: 3mA (Line to Line)	CH19073 or equal
2-7	Insulation Resistance	$\geq 100 M\Omega$	@ DC 500V	CH19073 or equal
2-8	Operating Temperature	-25°C ~ 105°C	Including self-generating heat	
2-9				
2-10				

Various Performance Tests

No	Item	Specification	Condition
3-1	Moisture Resistance (IEC 60068-2-3)	There are no abnormalities in appearance and satisfy an electrical property	+40°C, 95% RH, 96h. Please measure after lefting for 1 to 2 hours at normal temperature.
3-2	Heat Resistance (IEC 60068-2-2)		+85°C, 96h. Please measure after lefting for 1 to 2 hours at normal temperature.
3-3	Cold Resistance (IEC 60068-2-1)		-25°C, 96h. Please measure after lefting for 1 to 2 hours at normal temperature.
3-4	Heat Shock (IEC 60068-2-14)		-25°C ↔ +85°C, 24 cycles (each 1 hours) Please measure after lefting for 1 to 2 hours at normal temperature.

Typical Impedance Characteristics



Test Setup:

