



NB90

(32*27.2*20)mm

QUICK DETAILS

Brand Name: Sinetong

Model Number:NB90

Size: Miniature

Class F insulation available

Environmental friendly product

Theory: Electromagnetic Relay

Contact Load: High Power

ORDER INFORMATION

NB90 _ -12 S - S - A 4

1 2 3 4 5 6 7

1.Model Number: NB90

2.Without E: Max 50A for NO Type

3.Coil Rated Voltage: 5V; 6V; 9V; 12V; 15V; 18V; 24V; 48V; 110V(DC)

4. Construction: S:Sealant ; D: Dust-proof

5.Contact Material: S:AgSnO2 C: AgCdO

6.Contact Form: A:Normal Open(NO) B:Normal Close(NC) C:Conversion(C)

7.Pin-out Form :

A4: without middle pin-out for NO type

A5: with middle pin-out for NO type

B4: without middle pin-out for NC type

B5: with middle pin-out for NC type

C5: without middle pin-out for conversion

C6: with middle pin-out for conversion

COIL DATA

NO.	Coil Voltage VDC		Coil Resistance $\Omega \pm 10\%$	Pick-up Voltage VDC (Max.)	Drop-out voltage VDC (Min.)	Coil Power W
	Rated	Max				
003	3	3.9	15	2.25	0.30	0.6
005	5	6.5	42/28	3.75	0.50	0.6/0.9
006	6	7.8	60/40	4.50	0.60	
009	9	11.7	135/90	6.75	0.90	
012	12	15.6	240/160	9.00	1.20	
015	15	19.5	375/250	10.25	1.50	
018	18	23.4	540/360	13.50	1.80	
024	24	31.2	960/640	18.00	2.40	
048	48	62.4	3840/2560	36.00	4.80	
110	110	143	13445	82.50	11.0	0.9
012	12	15.6	120	9.00	1.20	1.2
024	24	31.2	480	18.00	2.40	

CAUTION: 1). If the working coil voltage is less than rated, it will compromise the operation of the relay.
 2). Operating and release voltages are for testing purpose only, not to be used as design criteria

CONTACT DATA

Contact Form	1A, 1B, 1C	
Contact Material	AgSnO ₂ AgCdO	
Contact Load	1A NO: 50A 277VAC, 2HP 240VAC, TV-15 NC: 40A 240VAC, 30A 250VAC	
Max. Switching Power	1500W 13850VA	
Max. Switching Voltage	30VDC /277VAC	
Max. Switching Current	A: 50A ; B: 30A ; C: 30A	
Contact Resistance	100m Ω (1A , 24VDC)	
Life	Electrical	1×10^4
	Mechanical	10^7

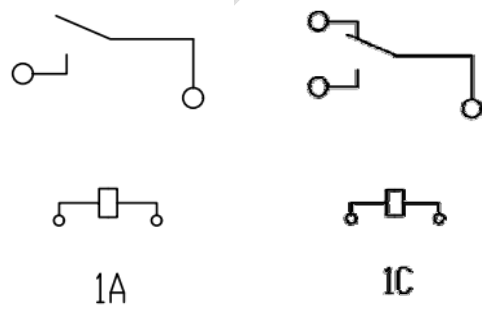
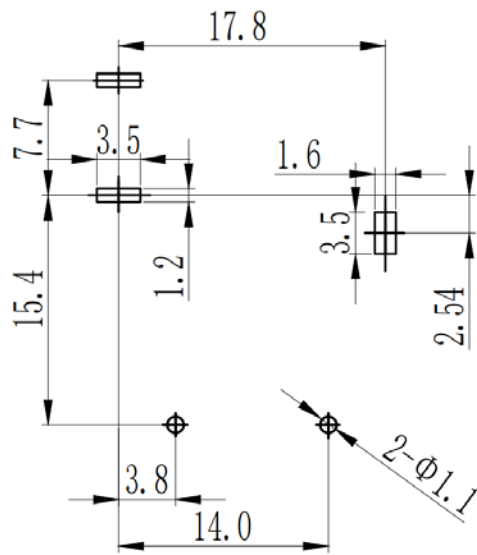
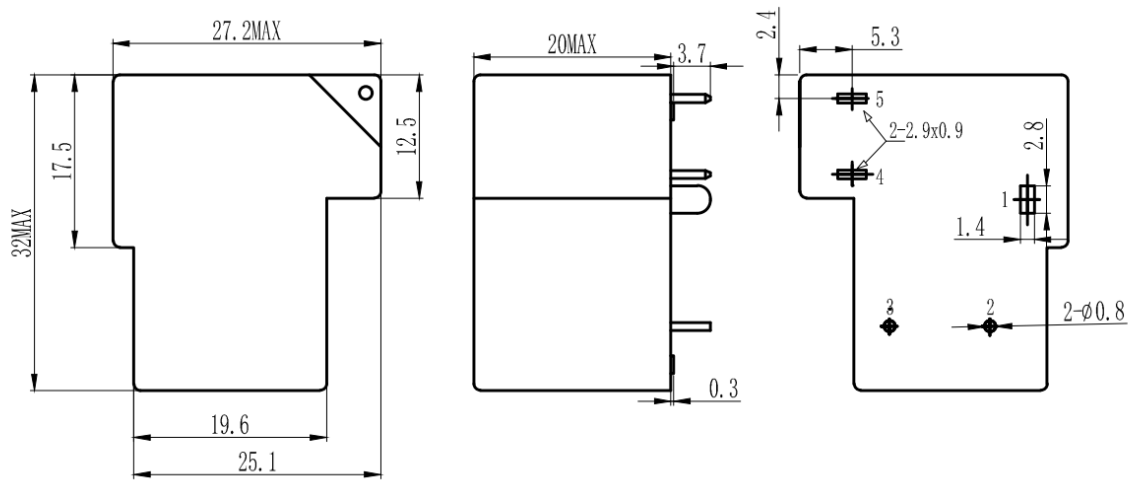
GENERAL DATA

Insulation Resistance	1000MΩ (500VDC)
Dielectric Strength	Disconnect Between Contact:1500VAC
	Between Coil & Contacts :2500VAC/min 4000VAC/min
Operation Time	≤15ms
Release Time	≤10ms
Impact Resistance	Stability 98m/s ² Intensity 980m/s ²
Anti Vibration Type	10Hz~55Hz Double Amplitude 1.5mm
Ambient Temperature	-55°C~85°C -55°C~105°C
Relative Humidity	85% RH , 40°C
Weight	About 25.0g

SECURITY CERTIFICATION

Security Certification	CQC	UL
Load	50A\240VAC	50A\277VAC 2HP\240VAC TV-15

Installation Diagram



Performance Chart

