

922

(20.3*16.5*20.5) mm

QUICK DETAILS

Brand Name: SINETONG

Model Number:922

Size:Miniature

Theory: Electromagnetic Relay

Contact Load: High Power

PRODUCT ADVANTAGE

1. Miniature, high power, Coil low power consumption
- 2.Used for automative system
3. Environmental friendly product (RoHS compliant)
4. Household Appliances, Car automative system, Electronic equipment , instrument, TV-5, TV-8 Remote control TV receiver, Monitoring equipment, Audio equipment etc.

ORDER INFORMATION

922 —5VDC — SL —A—T
 1 2 3 4 5

1.Model: 922

2.Coil Rated Voltage(VDC): 3, 6, 9, 12, 24, 48

3.Construction: SL: Sealed; S: Water-testing Type F: Dust-proof

4.Contact Form: A: 1A; B: 1B; C: 1C

5.Special Code: Nil:Standard; T: Customer special requirement

CONTACT DATA

Contact Form	1A (SPSTNO)	
Contact Material	AgCdO AgSnO ₂ AgSnO ₂	
Contact Load	Resistive: 20A/277VAC, 20A/250VAC, 15A/250VAC, 10A/125VAC Light Load: TV-8, 125VAC Motor load: 1HP 250VAC	
Max. Switching Power	480W 5540VA	
Max. Switching Voltage	24VDC 277VAC	
Max. Switching Current	20A	
Contact resistance	≤100mΩ	
Life	Electrical	20A: 5*10 ⁴ 15A: 1*10 ⁵
	Mechanical	10 ⁷

COIL DATA

NO.	Coil Voltage VDC		Coil Resistance Ω±10%	Pick-up Voltage VDC (Max.)	Drop-out voltage VDC (Min.)	Coil Power W
	Rated	Max				
012-360	12	15.6	400/320	9.00	1.20	0.36
024-360	24	31.2	1600/1280	18.00	2.40	

- CAUTION:** 1). If the working coil voltage is less than rated, it will compromise the operation of the relay.
2). Operating and release voltages are for testing purpose only, not to be used as design criteria

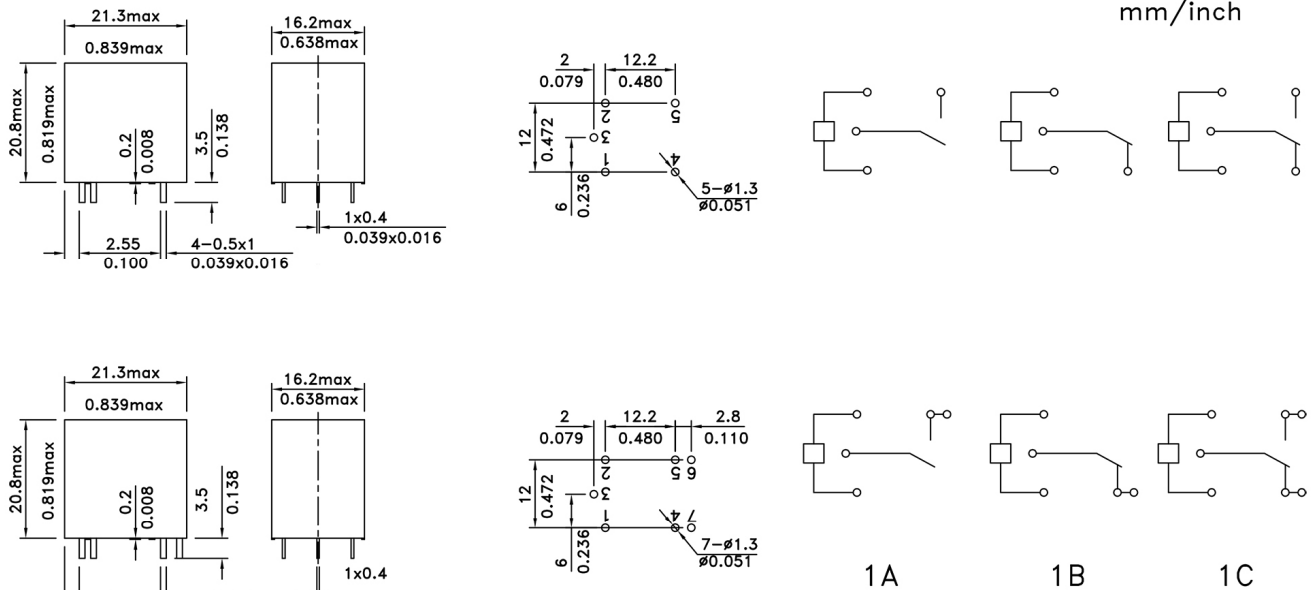
GENERAL DATA

Insulation Resistance	Min 100MΩ (500VDC)
Dielectric Strength	Between Contacts: 750VAC/1min
	Between Coil & Contacts : 1500VAC/1min
Operation Time	≤15ms
Release Time	≤5ms
Impact Resistance	100m/s ² 11ms
Anti Vibration Type	10Hz~55Hz Double Amplitude 1.5mm
Ambient Temperature	-40°C~70°C
Relative Humidity	85% (40°C)
Weight	13.0g (Type:A)

SECURITY CERTIFICATION

Security Certification	CQC	UL	TUV
Load	NO:15A/250VAC NC:10A/250VAC	NO:20A 277VAC/250VAC TV-8 125VAC 1HP 250VAC	NC:10A/250VAC NO:15A/250VAC

Outline Dimension (Unit:mm)



Outline Dimension

Installation size diagram(bottom view) The wiring diagram(bottom view)

Note:Dimensions in mm

Given the amount of inches values are for reference only.

Reference Data

