

HCPL-3140, HCPL-0314

0.4-Amp Output Current IGBT Gate Drive Optocoupler

Description

The HCPL-3140/HCPL-0314 family of devices consists of a GaAsP LED optically coupled to an integrated circuit with a power output stage. These optocouplers are ideally suited for driving power IGBTs and MOSFETs used in motor control inverter applications. The high operating voltage range of the output stage provides the drive voltages required by gate controlled devices. The voltage and current supplied by this optocoupler make it ideally suited for directly driving small or medium power IGBTs. For IGBTs with higher ratings, the HCPL-3150 (0.5A) or HCPL-3120 (2.0A) optocouplers can be used.

Figure 1: Functional Diagram

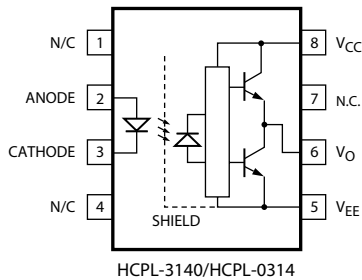


Table 1: Truth Table

| LED | V _O |
|-----|----------------|
| OFF | LOW |
| ON | HIGH |

A 0.1- μ F bypass capacitor must be connected between pins V_{CC} and V_{EE}.

Features

- 0.4A minimum peak output current
- High-speed response: 0.7- μ s maximum propagation delay over temperature range
- Ultra-high CMR: minimum 25 kV/ μ s at V_{CM} = 1 kV
- Bootstrappable supply current: maximum 3 mA
- Wide operating temperature range: -40°C to 100°C
- Wide V_{CC} operating range: 10V to 30V over temperature range
- Available in DIP-8 and SO-8 packages
- Safety approvals: UL approval, 3750 V_{rms} for 1 minute. CSA approval. IEC/EN/DIN EN 60747-5-2 approval V_{IORM} = 630 V_{peak} (HCPL-3140)

Applications

- Isolated IGBT/Power MOSFET gate drive
- AC and brushless DC motor drives
- Inverters for home appliances
- Industrial inverters
- Switch Mode Power Supplies (SMPS)

CAUTION! It is advised that normal static precautions be taken in handling and assembly of this component to prevent damage and/or degradation that may be induced by ESD.

Ordering Information

HCPL-3140 and HCPL-0314 are UL recognized with 3750 V_{rms} for 1 minute per UL1577.

| Part Number | Option | | Package | Surface Mount | Gull Wing | Tape & Reel | IEC/EN/DIN EN 60747-5-2 | Quantity |
|-------------|----------------|--------------------|---------------|---------------|-----------|-------------|-------------------------|---------------|
| | RoHS Compliant | Non RoHS Compliant | | | | | | |
| HCPL-3140 | -000E | No option | 300 mil DIP-8 | | | | | 50 per tube |
| | -300E | #300 | | X | X | | | 50 per tube |
| | -500E | #500 | | X | X | X | | 1000 per reel |
| | -060E | #060 | | | | | X | 50 per tube |
| | -360E | #360 | | X | X | | X | 50 per tube |
| | -560E | #560 | | X | X | X | X | 1000 per reel |
| HCPL-0314 | -000E | No option | SO-8 | X | | | | 100 per tube |
| | -500E | #500 | | X | | X | | 1500 per reel |
| | -060E | #060 | | X | | | X | 100 per tube |
| | -560E | #560 | | X | | X | X | 1500 per reel |

To order, choose a part number from the Part Number column and combine with the desired option from the Option column to form an order entry.

Example 1:

HCPL-3140-560E to order product of 300 mil DIP Gull Wing Surface Mount package in Tape and Reel packaging with IEC/EN/DIN EN 60747-5-2 Safety Approval in RoHS compliant.

Example 2:

HCPL-3140 to order product of 300 mil DIP package in tube packaging and non RoHS compliant.

Option data sheets are available. Contact your Broadcom® sales representative or authorized distributor for information.

Remarks: The notation '#XXX' is used for existing products, while (new) products launched since 15th July 2001 and RoHS compliant option will use '-XXE'.

Package Outline Drawings

Figure 2: HCPL-3140 Standard DIP Package

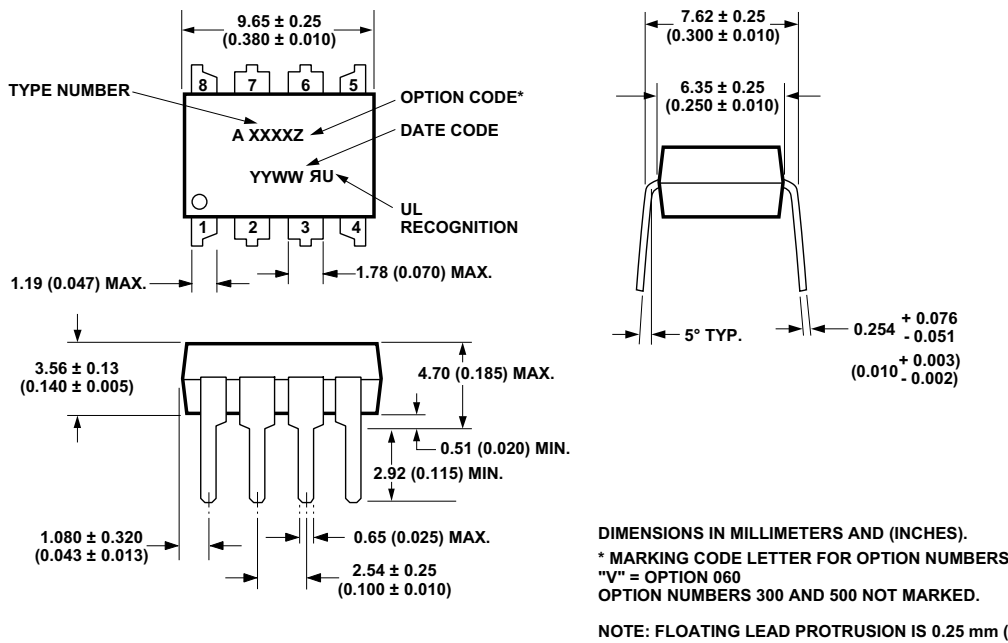


Figure 3: HCPL-3140 Gull Wing Surface Mount Option 300 Outline Drawing

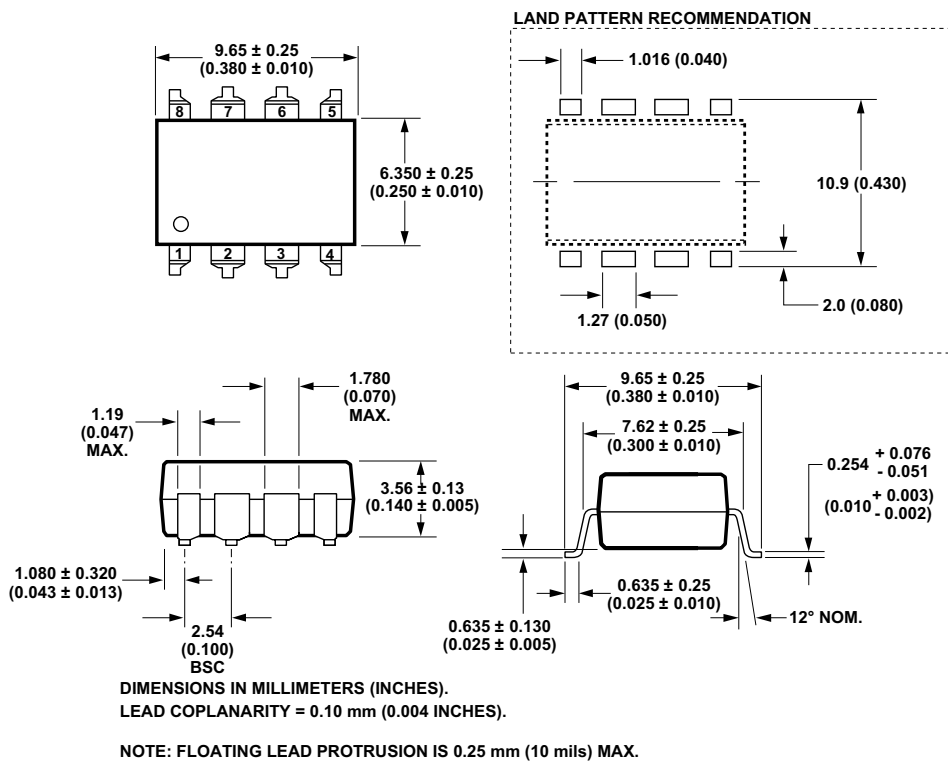


Figure 4: HCPL-0314 Small Outline SO-8 Package

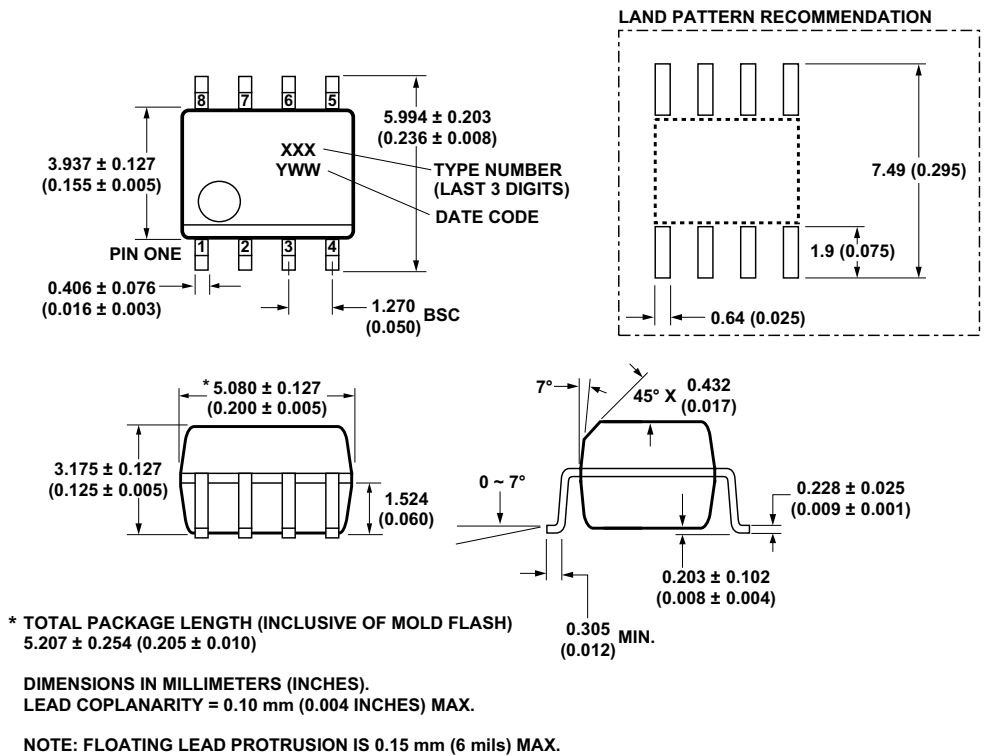
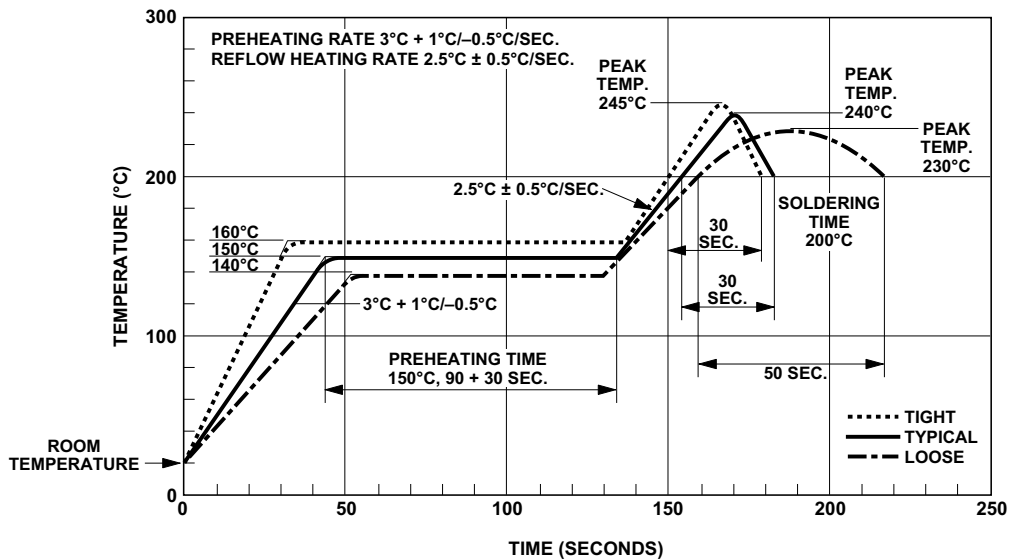
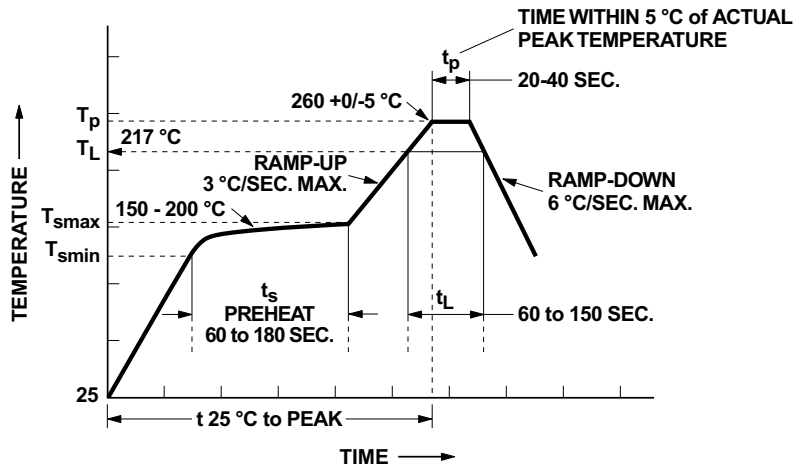


Figure 5: Solder Reflow Temperature Profile



NOTE: Non-halide flux should be used.

Figure 6: Recommended Pb-Free IR Profile



NOTES:
 THE TIME FROM 25 °C to PEAK TEMPERATURE = 8 MINUTES MAX.
 $T_{smax} = 200\text{ °C}$, $T_{smin} = 150\text{ °C}$

NOTE: Non-halide flux should be used.

Regulatory Information

The HCPL-3140/HCPL-0314 have been approved by the following organizations:

IEC/EN/DIN EN 60747-5-2

Approved under:

IEC 60747-5-2:1997 + A1:2002
 EN 60747-5-2:2001 + A1:2002
 DIN EN 60747-5-2 (VDE 0884 Teil 2):2003-01
 (Option 060 only)

UL

Approval under UL 1577, component recognition program up to $V_{ISO} = 3750\text{ V}_{rms}$. File E55361.

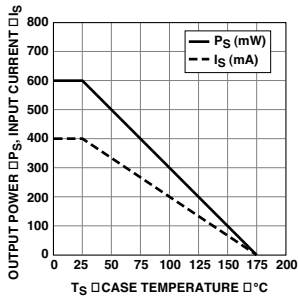
CSA

Approval under CSA Component Acceptance Notice #5, File CA 88324.

IEC/EN/DIN EN 60747-5-2 Insulation Characteristics (HCPL-3140 Option 060)

| Description | Symbol | Characteristic | Unit |
|--|--|-----------------------------|-------------------------|
| Installation classification per DIN VDE 0110/1.89, Table 1 For rated mains voltage $\leq 150 V_{rms}$ For rated mains voltage $\leq 300 V_{rms}$ For rated mains voltage $\leq 600 V_{rms}$ | — | I - IV I - III I - II | — |
| Climatic Classification | — | 55/100/21 | — |
| Pollution Degree (DIN VDE 0110/1.89) | — | 2 | — |
| Maximum Working Insulation Voltage | V_{IORM} | 630 | V_{peak} |
| Input to Output Test Voltage, Method b ^a $V_{IORM} \times 1.875 = V_{PR}$, 100% Production Test with $t_m = 1$ sec, Partial Discharge < 5 pC | V_{PR} | 1181 | V_{peak} |
| Input to Output Test Voltage, Method a ^a $V_{IORM} \times 1.5 = V_{PR}$, Type and Sample Test, $t_m = 60$ sec, Partial Discharge < 5 pC | V_{PR} | 945 | V_{peak} |
| Highest Allowable Overvoltage (Transient Overvoltage $t_{ini} = 10$ sec) | V_{IOTM} | 6000 | V_{peak} |
| Safety-limiting values - maximum values allowed in the event of a failure. Case Temperature Input Current ^b Output Power ^b | T_S $I_{S,INPUT}$ $P_{S,OUTPUT}$ | 175 230 600 | $^{\circ}C$ mA mW |
| Insulation Resistance at T_S , $V_{IO} = 500V$ | R_S | $>10^9$ | Ω |

- a. Refer to the optocoupler section of the *Isolation and Control Components Designer's Catalog*, under the Product Safety Regulations section IEC/EN/DIN EN 60747-5-2, for a detailed description of the Method a and Method b partial discharge test profiles.
- b. See the following figure for dependence of P_S and I_S on ambient temperature.



Insulation and Safety Related Specifications

| Parameter | Symbol | HCPL-3140 | HCPL-0314 | Units | Conditions |
|---|--------|-----------|-----------|-------|--|
| Minimum External Air Gap (Clearance) | L(101) | 7.1 | 4.9 | mm | Measured from input terminals to output terminals, shortest distance through air. |
| Minimum External Tracking (Creepage) | L(102) | 7.4 | 4.8 | mm | Measured from input terminals to output terminals, shortest distance path along body. |
| Minimum Internal Plastic Gap (Internal Clearance) | — | 0.08 | 0.08 | mm | Through insulation distance conductor to conductor, usually the straight line distance thickness between the emitter and the detector. |
| Tracking Resistance (Comparative Tracking Index) | CTI | >175 | >175 | V | DIN IEC 112/VDE 0303 Part 1 |
| Isolation Group | — | IIIa | IIIa | — | Material Group (DIN VDE 0110, 1/89, Table 1) |

Absolute Maximum Ratings

| Parameter | Symbol | Min. | Max. | Units | Note |
|--|---|------|----------|-------|------|
| Storage Temperature | T_S | -55 | 125 | °C | |
| Operating Temperature | T_A | -40 | 100 | °C | |
| Average Input Current | $I_{F(AVG)}$ | — | 25 | mA | a |
| Peak Transient Input Current (<1 μ s pulse width, 300 pps) | $I_{F(TRAN)}$ | — | 1.0 | A | |
| Reverse Input Voltage | V_R | — | 5 | V | |
| “High” Peak Output Current | $I_{OH(PEAK)}$ | — | 0.6 | A | b |
| “Low” Peak Output Current | $I_{OL(PEAK)}$ | — | 0.6 | A | b |
| Supply Voltage | $V_{CC}-V_{EE}$ | -0.5 | 35 | V | |
| Output Voltage | $V_{O(PEAK)}$ | -0.5 | V_{CC} | V | |
| Output Power Dissipation | P_O | — | 250 | mW | c |
| Input Power Dissipation | P_I | — | 45 | mW | d |
| Lead Solder Temperature | 260°C for 10 sec., 1.6 mm below seating plane. | | | | |
| Solder Reflow Temperature Profile | See the Package Outline Drawings section. | | | | |

- Derate linearly above 70°C free air temperature at a rate of 0.3 mA/°C.
- Maximum pulse width = 10 μ s, maximum duty cycle = 0.2%. This value is intended to allow for component tolerances for designs with I_O peak minimum = 0.4A. See the [Applications Information](#) section for additional details on limiting I_{OL} peak.
- Derate linearly above 85°C, free air temperature at the rate of 4.0 mW/°C.
- Input power dissipation does not require derating.

Recommended Operating Conditions

| Parameter | Symbol | Min. | Max. | Units | Note |
|-----------------------|-----------------|------|------|-------|------|
| Power Supply | $V_{CC}-V_{EE}$ | 10 | 30 | V | |
| Input Current (ON) | $I_{F(ON)}$ | 8 | 12 | mA | |
| Input Voltage (OFF) | $V_{F(OFF)}$ | -3.6 | 0.8 | V | |
| Operating Temperature | T_A | -40 | 100 | °C | |

Electrical Specifications (DC)

Over recommended operating conditions unless otherwise specified.

| Parameter | Symbol | Min. | Typ. | Max. | Units | Test Conditions | Figure | Note |
|--|---------------------------|--------------|----------------|------|-------|------------------------------|--------|------|
| High Level Output Current | I_{OH} | 0.2 | — | — | A | $V_O = V_{CC} - 4$ | 8 | a |
| | | 0.4 | 0.5 | — | | $V_O = V_{CC} - 10$ | 9 | b |
| Low Level Output Current | I_{OL} | 0.2 | 0.4 | — | A | $V_O = V_{EE} + 2.5$ | 11 | a |
| | | 0.4 | 0.5 | — | | $V_O = V_{EE} + 10$ | 12 | b |
| High Level Output Voltage | V_{OH} | $V_{CC} - 4$ | $V_{CC} - 1.8$ | — | V | $I_O = -100$ mA | 7 | c, d |
| Low Level Output Voltage | V_{OL} | — | 0.4 | 1 | V | $I_O = 100$ mA | 10 | |
| High Level Supply Current | I_{CCH} | — | 0.7 | 3 | mA | $I_O = 0$ mA | 13, 14 | e |
| Low Level Supply Current | I_{CCL} | — | 1.2 | 3 | mA | $I_O = 0$ mA | | |
| Threshold Input Current Low to High | I_{FLH} | — | — | 7 | mA | $I_O = 0$ mA, $V_O > 5$ V | 15, 21 | |
| Threshold Input Voltage High to Low | V_{FHL} | 0.8 | — | — | V | — | | |
| Input Forward Voltage | V_F | 1.2 | 1.5 | 1.8 | V | $I_F = 10$ mA | 22 | |
| Temperature Coefficient of Input Forward Voltage | $\Delta V_F / \Delta T_A$ | — | -1.6 | — | mV/°C | — | | |
| Input Reverse Breakdown Voltage | BV_R | 5 | — | — | V | $I_R = 10$ μ A | | |
| Input Capacitance | C_{IN} | — | 60 | — | pF | $f = 1$ MHz, $V_F = 0$ V | | |

- Maximum pulse width = 50 μ s, maximum duty cycle = 0.5%.
- Maximum pulse width = 10 μ s, maximum duty cycle = 0.2%. This value is intended to allow for component tolerances for designs with I_O peak minimum = 0.4A. See the [Applications Information](#) section for additional details on limiting I_{OL} peak.
- In this test, V_{OH} is measured with a DC load current. When driving capacitive load, V_{OH} will approach V_{CC} as I_{OH} approaches zero amps.
- Maximum pulse width = 1 ms, maximum duty cycle = 20%.
- The power supply current increases when the operating frequency and Qg of the driven IGBT increase.

Switching Specifications (AC)

Over recommended operating conditions unless otherwise specified.

| Parameter | Symbol | Min. | Typ. | Max. | Units | Test Conditions | Figure | Note |
|--|-----------|------|------|------|-------------------|--|--------------------|------|
| Propagation Delay Time to High Output Level | t_{PLH} | 0.1 | 0.2 | 0.7 | μs | $R_g = 47\Omega$, $C_g = 3\text{ nF}$, $f = 10\text{ kHz}$, Duty Cycle = 50%, $I_F = 8\text{ mA}$, $V_{CC} = 30\text{ V}$ | 16, 17, 18, 19, | a |
| Propagation Delay Time to Low Output Level | t_{PHL} | 0.1 | 0.3 | 0.7 | μs | | 20, 23 | |
| Propagation Delay Difference Between Any Two Parts or Channels | PDD | -0.5 | — | 0.5 | μs | | | b |
| Rise Time | t_R | — | 50 | — | ns | | | |
| Fall Time | t_F | — | 50 | — | ns | | | |
| Output High Level Common Mode Transient Immunity | $ CM_H $ | 25 | 35 | — | kV/ μs | $T_A = 25^\circ\text{C}$, $V_{CM} = 1\text{ kV}$ | 24 | c |
| Output Low Level Common Mode Transient Immunity | $ CM_L $ | 25 | 35 | — | kV/ μs | | 24 | d |

- a. The power supply current increases when the operating frequency and Qg of the driven IGBT increase.
- b. PDD is the difference between t_{PHL} and t_{PLH} between any two parts or channels under the same test conditions.
- c. Common mode transient immunity in the high state is the maximum tolerable $|dV_{CM}/dt|$ of the common mode pulse V_{CM} to assure that the output will remain in the high state (i.e. $V_O > 6.0\text{V}$).
- d. Common mode transient immunity in a low state is the maximum tolerable $|dV_{CM}/dt|$ of the common mode pulse V_{CM} to assure that the output will remain in a low state (i.e. $V_O < 1.0\text{V}$).

Package Characteristics

| Parameter | Symbol | Min. | Typ. | Max. | Units | Test Conditions | Figure | Note |
|--|-----------|------|-----------|------|-----------|---|--------|------|
| Input-Output Momentary Withstand Voltage | V_{ISO} | 3750 | — | — | V_{rms} | $T_A = 25^\circ\text{C}$, $RH < 50\%$ for 1 min. | | a, b |
| Input-Output Resistance | R_{I-O} | — | 10^{12} | — | Ω | $V_{I-O} = 500\text{V}$ | | b |
| Input-Output Capacitance | C_{I-O} | — | 0.6 | — | pF | Freq = 1 MHz | | |

- a. In accordance with UL 1577, each optocoupler is proof-tested by applying an insulation test voltage $\geq 4500 V_{rms}$ for 1 second (leakage detection current limit $I_{I-O} \leq 5\mu\text{A}$). This test is performed before 100% production test for partial discharge (method B) shown in the [IEC/EN/DIN EN 60747-5-2 Insulation Characteristics \(HCPL-3140 Option 060\)](#) table, if applicable.
- b. Device considered a two-terminal device: Pins on input side shorted together, and pins on output side shorted together.

Figure 7: V_{OH} vs. Temperature

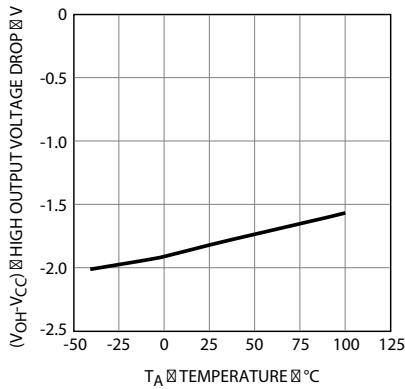


Figure 8: I_{OH} vs. Temperature

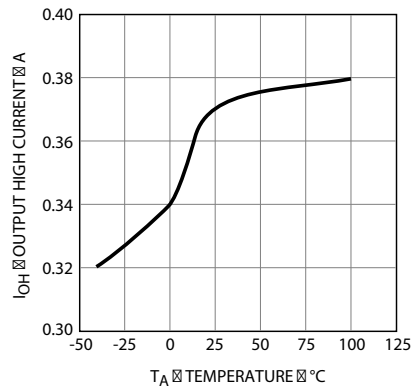


Figure 9: V_{OH} vs. I_{OH}

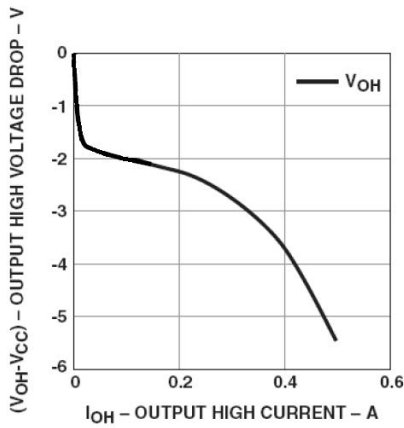


Figure 10: V_{OL} vs. Temperature

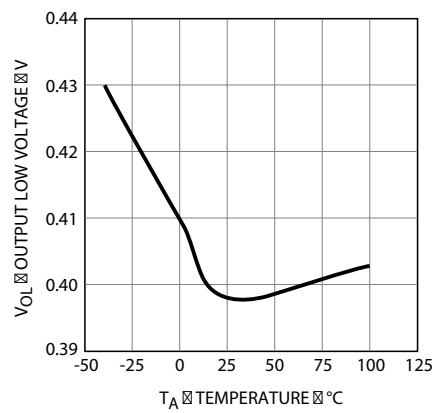


Figure 11: I_{OL} vs. Temperature

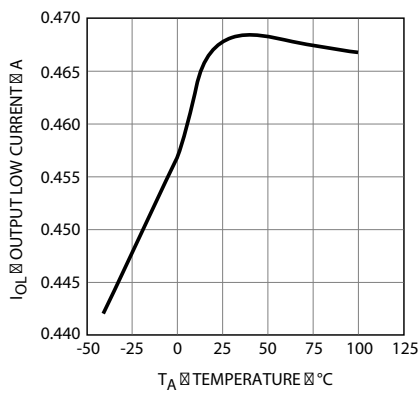


Figure 12: V_{OL} vs. I_{OL}

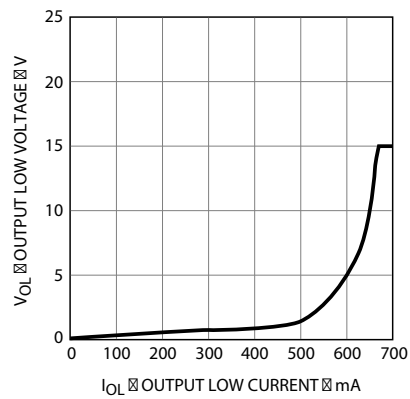


Figure 13: I_{CC} vs. Temperature

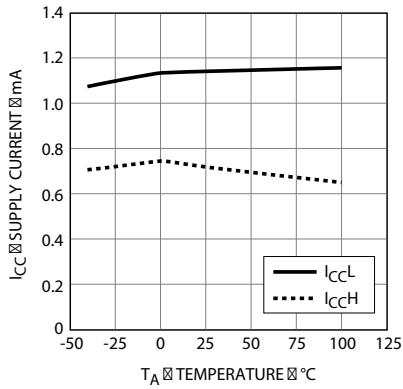


Figure 14: I_{CC} vs. V_{CC}

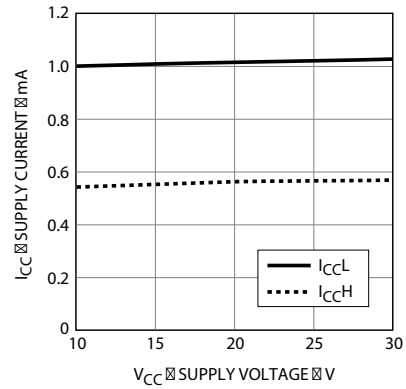


Figure 15: I_{FLH} vs. Temperature

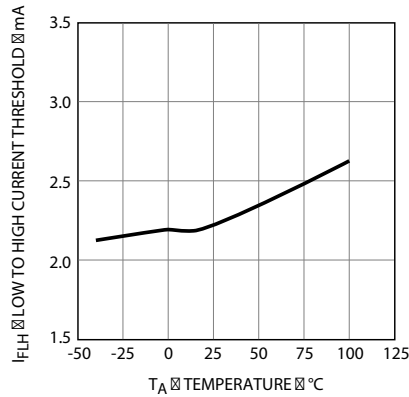


Figure 16: Propagation Delay vs. V_{CC}

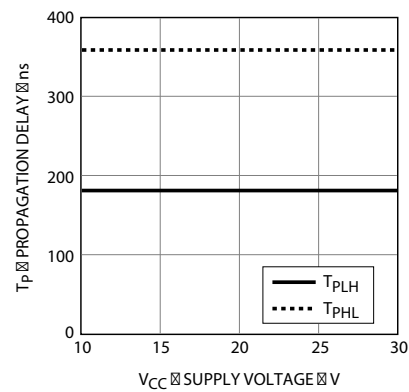


Figure 17: Propagation Delay vs. I_F

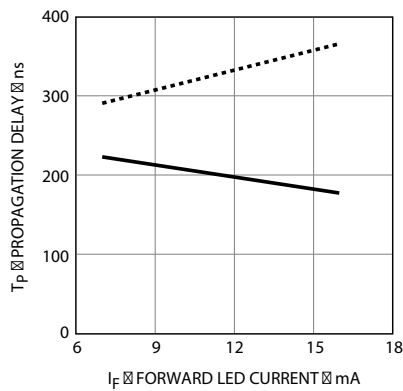


Figure 18: Propagation Delay vs. Temperature

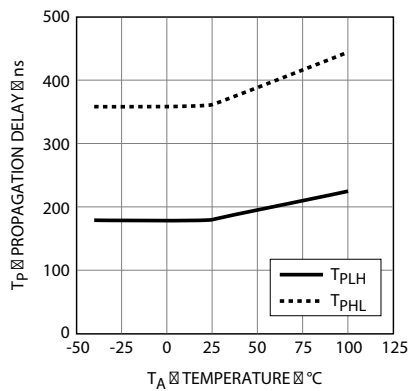


Figure 19: Propagation Delay vs. Rg

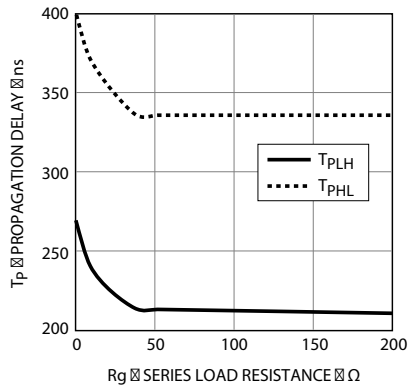


Figure 20: Propagation Delay vs. Cg

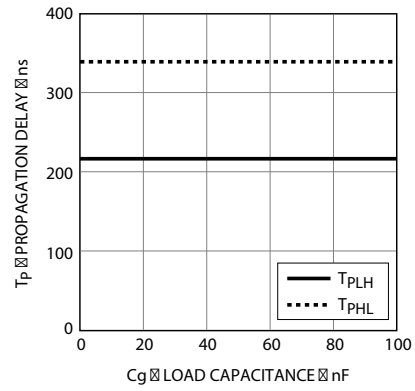


Figure 21: Transfer Characteristics

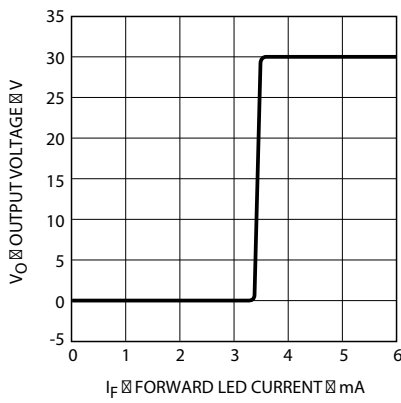


Figure 22: Input Current vs. Forward Voltage

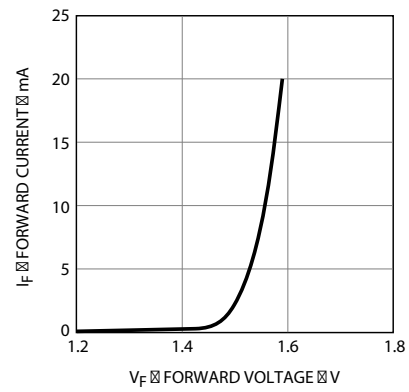


Figure 23: Propagation Delay Test Circuit and Waveforms

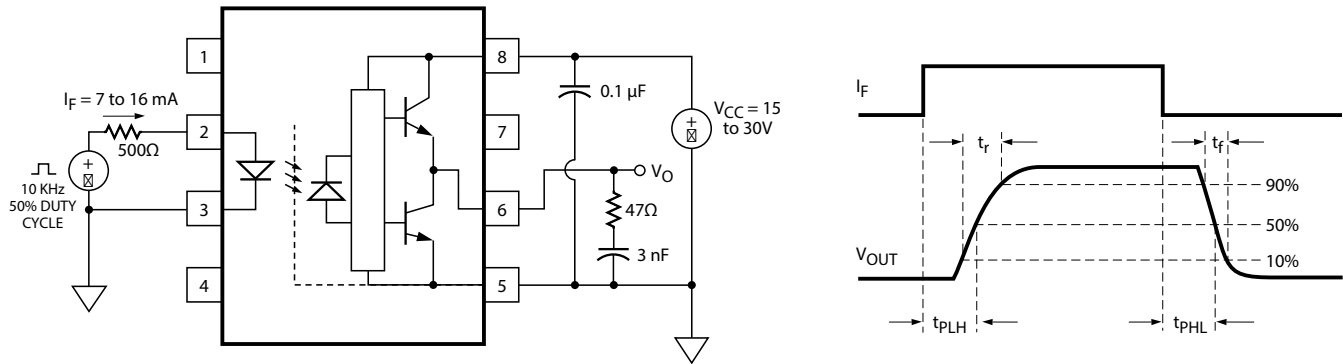
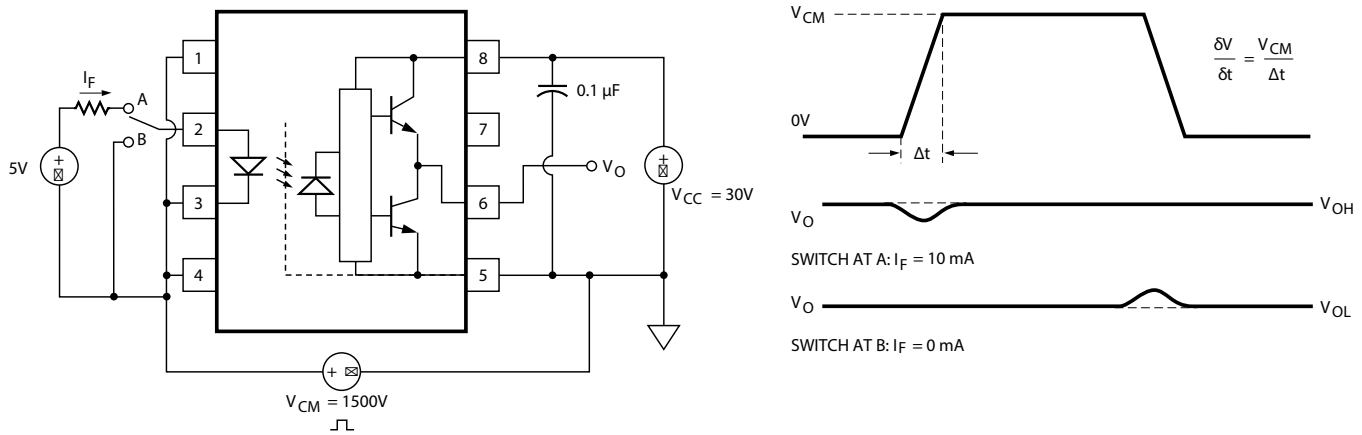


Figure 24: CMR Test Circuit and Waveforms

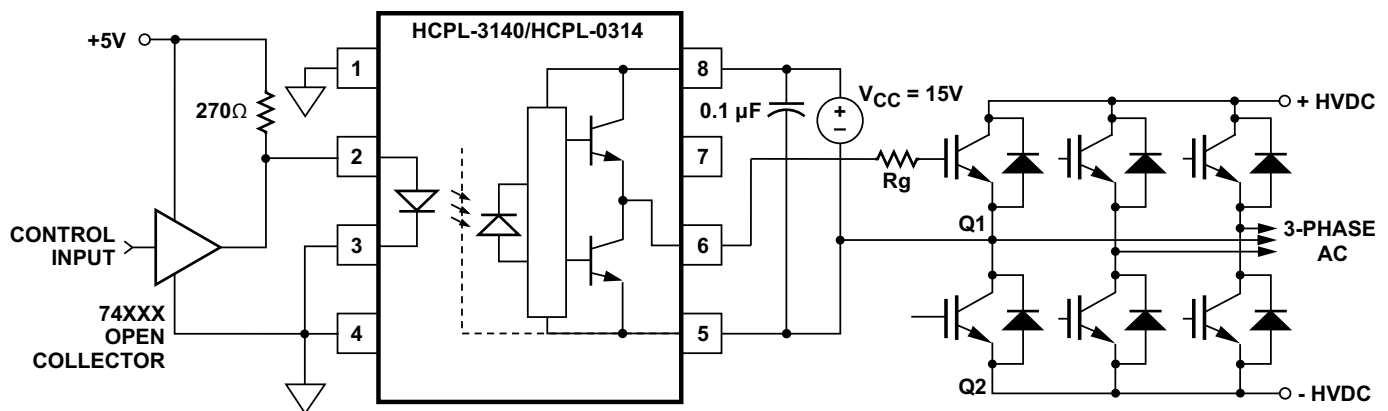


Applications Information

Eliminating Negative IGBT Gate Drive

To keep the IGBT firmly off, the HCPL-3140/HCPL-0314 has a very low maximum V_{OL} specification of 1.0V. Minimizing R_g and the lead inductance from the HCPL-3140/HCPL-0314 to the IGBT gate and emitter (possibly by mounting the HCPL-3140/HCPL-0314 on a small PC board directly above the IGBT) can eliminate the need for negative IGBT gate drive in many applications as shown in Figure 25. Care should be taken with such a PC board design to avoid routing the IGBT collector or emitter traces close to the HCPL-3140/HCPL-0314 input as this can result in unwanted coupling of transient signals into the input of HCPL-3140/HCPL-0314 and degrade performance. (If the IGBT drain must be routed near the HCPL-3140/HCPL-0314 input, then the LED should be reverse-biased when in the off state to prevent the transient signals coupled from the IGBT drain from turning on the HCPL-3140/HCPL-0314.)

Figure 25: Recommended LED Drive and Application Circuit for HCPL-3140/HCPL-0314



Selecting the Gate Resistor (Rg)

Step 1: Calculate Rg minimum from the I_{OL} peak specification. The IGBT and Rg in Figure 25 can be analyzed as a simple RC circuit with a voltage supplied by the HCPL-3140/HCPL-0314.

$$\begin{aligned}
 R_g &\geq \frac{V_{CC} - V_{OL}}{I_{OLPEAK}} \\
 &= \frac{24V - 5V}{0.6A} \\
 &= 32\Omega
 \end{aligned}$$

The V_{OL} value of 5V in the previous equation is the V_{OL} at the peak current of 0.6A. (See Figure 12.)

Step 2: Check the HCPL-3140/HCPL-0314 power dissipation and increase Rg if necessary. The HCPL-3140/HCPL-0314 total power dissipation (P_T) is equal to the sum of the emitter power (P_E) and the output power (P_O).

$$\begin{aligned}
 P_T &= P_E + P_O \\
 P_E &= I_F \cdot V_F \cdot \text{Duty Cycle} \\
 P_O &= P_{O(\text{BIAS})} + P_{O(\text{SWITCHING})} = I_{CC} \cdot V_{CC} + E_{SW} \\
 &\quad (R_g, Q_g) \cdot f = (I_{CC\text{BIAS}} + K_{ICC} \cdot Q_g \cdot f) \cdot V_{CC} + E_{SW} \\
 &\quad (R_g, Q_g) \cdot f
 \end{aligned}$$

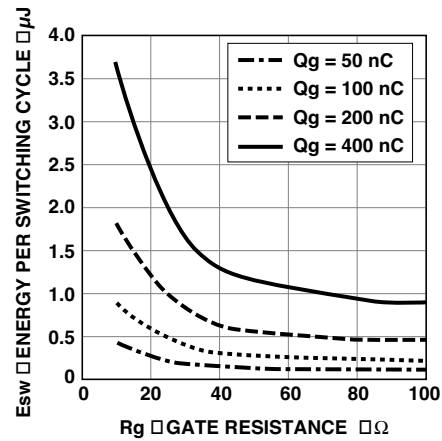
Where K_{ICC} • Qg • f is the increase in I_{CC} due to switching and K_{ICC} is a constant of 0.001 mA/(nC•kHz). For the circuit in Figure 25 with I_F (worst case) = 10 mA, Rg = 32Ω, Max Duty Cycle = 80%, Qg = 100 nC, f = 20 kHz, and T_{AMAX} = 85°C:

$$\begin{aligned}
 P_E &= 10 \text{ mA} \cdot 1.8V \cdot 0.8 = 14 \text{ mW} \\
 P_O &= (3 \text{ mA} + (0.001 \text{ mA}/(\text{nC} \cdot \text{kHz})) \cdot 20 \text{ kHz} \cdot 100 \text{ nC}) \\
 &\quad \cdot 24V + 0.4 \mu\text{J} \cdot 20 \text{ kHz} = 128 \text{ mW} \\
 &< 250 \text{ mW} (P_{O(\text{MAX})} @ 85^\circ\text{C})
 \end{aligned}$$

The value of 3 mA for I_{CC} in the previous equation is the max. I_{CC} over the entire operating temperature range.

Since P_O for this case is less than P_{O(MAX)}, Rg = 32Ω is alright for the power dissipation.

Figure 26: Energy Dissipated in the HCPL-0314 and for Each IGBT Switching Cycle



LED Drive Circuit Considerations for Ultra-High CMR Performance

Without a detector shield, the dominant cause of optocoupler CMR failure is capacitive coupling from the input side of the optocoupler, through the package, to the detector IC as shown in Figure 27. The HCPL-3140/HCPL-0314 improves CMR performance by using a detector IC with an optically transparent Faraday shield, which diverts the capacitively coupled current away from the sensitive IC circuitry. However, this shield does not eliminate the capacitive coupling between the LED and optocoupler pins 5-8 as shown in Figure 28. This capacitive coupling causes perturbations in the LED current during common mode transients and becomes the major source of CMR failures for a shielded optocoupler. The main design objective of a high CMR LED drive circuit becomes keeping the LED in the proper state (on or off) during common mode transients. For example, the recommended application circuit (Figure 25) can achieve 25-kV/μs CMR while minimizing component complexity.

Techniques to keep the LED in the proper state are discussed in the next two sections.

Figure 27: Optocoupler Input to Output Capacitance Model for Unshielded Optocouplers

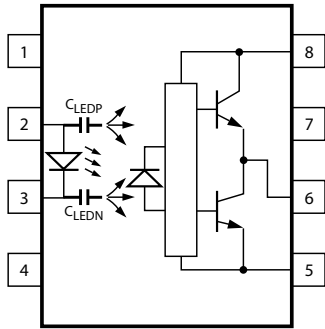


Figure 28: Optocoupler Input to Output Capacitance Model for Shielded Optocouplers

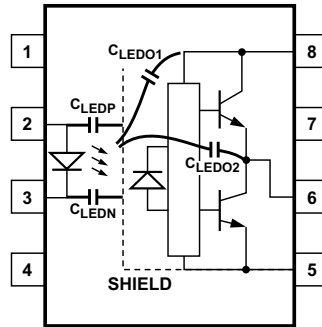


Figure 29: Equivalent Circuit for Figure 23 During Common Mode Transient

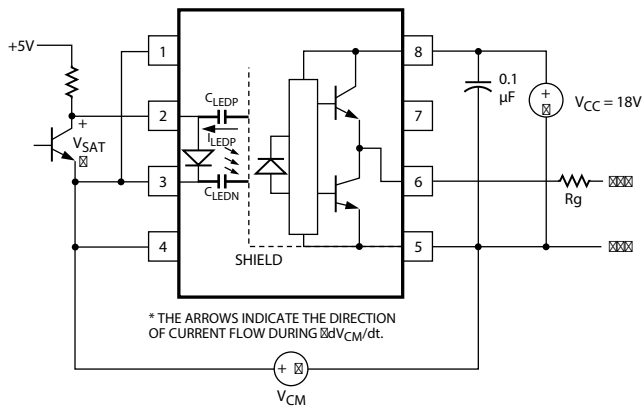


Figure 30: Not Recommended Open Collector Drive Circuit

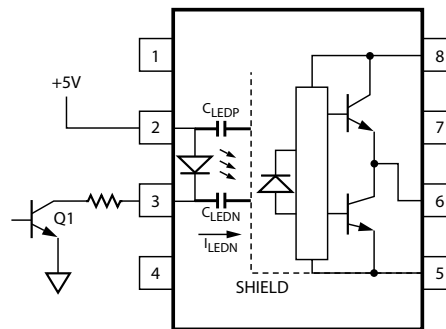
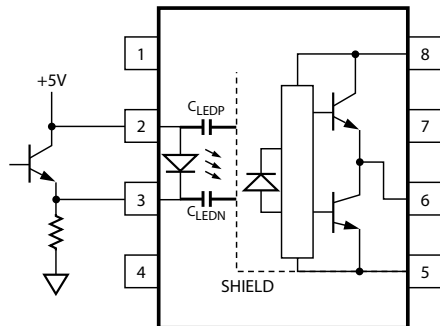


Figure 31: Recommended LED Drive Circuit for Ultra-High CMR IPM Dead Time and Propagation Delay Specifications



CMR with the LED On (CMR_H)

A high CMR LED drive circuit must keep the LED on during common mode transients. This is achieved by over-driving the LED current beyond the input threshold so that it is not pulled below the threshold during a transient. A minimum LED current of 8 mA provides adequate margin over the maximum I_{FLH} of 5 mA to achieve 25-kV/ μ s CMR.

CMR with the LED Off (CMR_L)

A high CMR LED drive circuit must keep the LED off ($V_F \leq V_{F(OFF)}$) during common mode transients. For example, during a $-dV_{CM}/dt$ transient in [Figure 29](#), the current flowing through C_{LEDP} also flows through the R_{SAT} and V_{SAT} of the logic gate. As long as the low state voltage developed across the logic gate is less than $V_{F(OFF)}$, the LED will remain off and no common mode failure will occur.

The open collector drive circuit, shown in [Figure 30](#), cannot keep the LED off during a $+dV_{CM}/dt$ transient, since all the current flowing through C_{LEDN} must be supplied by the LED, and it is not recommended for applications requiring ultra-high CMR_1 performance. The alternative drive circuit, which like the recommended application circuit ([Figure 25](#)), does achieve ultra-high CMR performance by shunting the LED in the off state.

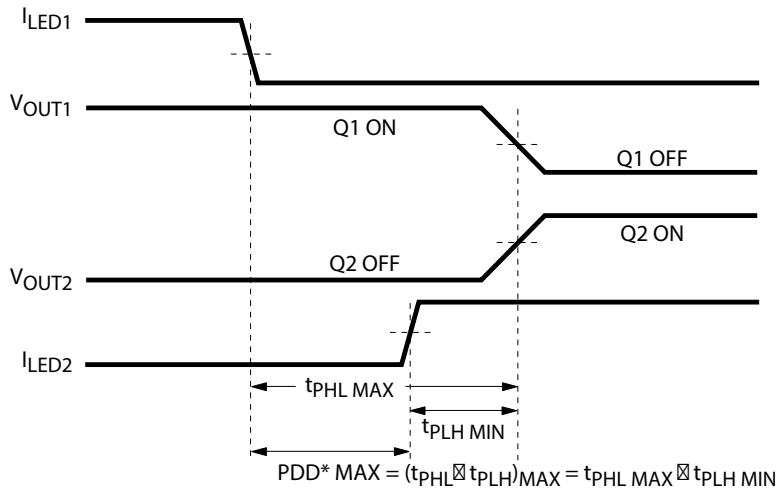
IPM Dead Time and Propagation Delay Specifications

The HCPL-3140/HCPL-0314 includes a Propagation Delay Difference (PDD) specification intended to help designers minimize “dead time” in their power inverter designs. Dead time is the time that high-side and low-side power transistors are off. Any overlap in Q1 and Q2 conduction will result in large currents flowing through the power devices from the high-voltage to the low-voltage motor rails. To minimize dead time in a given design, the turn on of LED2 should be delayed (relative to the turn off of LED1) so that under worst-case conditions, transistor Q1 has just turned off when transistor Q2 turns on, as shown in [Figure 32](#). The amount of delay necessary to achieve this condition is equal to the maximum value of the propagation delay difference specification, PDD max, which is specified to be 500 ns over the operating temperature range of -40°C to 100°C .

Delaying the LED signal by the maximum propagation delay difference ensures that the minimum dead time is zero, but it does not tell a designer what the maximum dead time will be. The maximum dead time is equivalent to the difference between the maximum and minimum propagation delay difference specification as shown in [Figure 33](#). The maximum dead time for the HCPL-3140/HCPL-0314 is $1\ \mu\text{s}$ ($= 0.5\ \mu\text{s} - (-0.5\ \mu\text{s})$) over the operating temperature range of -40°C to 100°C .

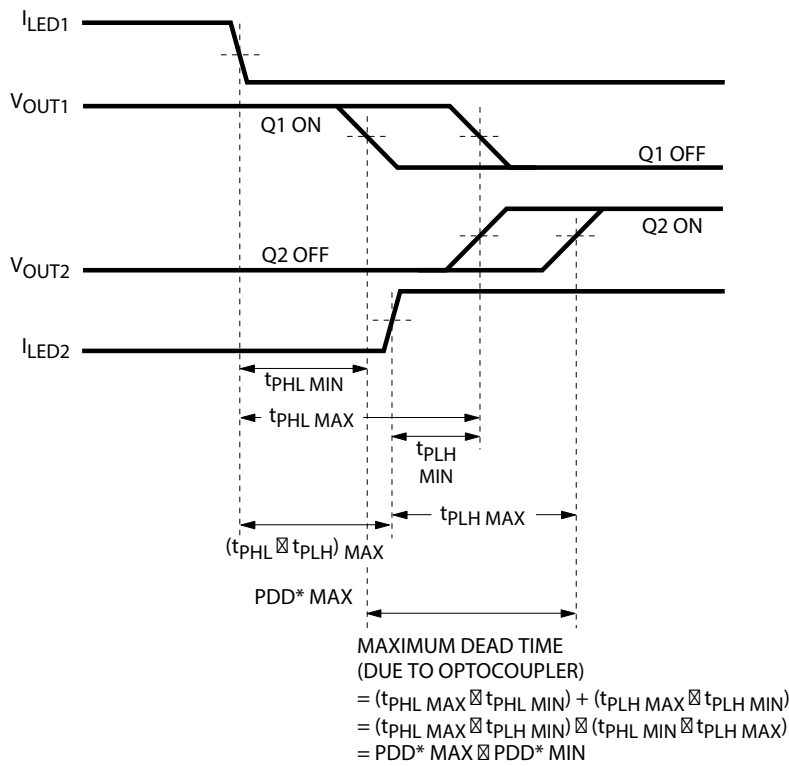
Note that the propagation delays used to calculate PDD and dead time are taken at equal temperatures and test conditions since the optocouplers under consideration are typically mounted in close proximity to each other and are switching identical IGBTs.

Figure 32: Minimum LED Skew for Zero Dead Time



*PDD = PROPAGATION DELAY DIFFERENCE
 NOTE: FOR PDD CALCULATIONS, THE PROPAGATION DELAYS ARE TAKEN AT THE SAME TEMPERATURE AND TEST CONDITIONS.

Figure 33: Waveforms for Dead Time



*PDD = PROPAGATION DELAY DIFFERENCE
 NOTE: FOR DEAD TIME AND PDD CALCULATIONS, ALL PROPAGATION DELAYS ARE TAKEN AT THE SAME TEMPERATURE AND TEST CONDITIONS.

Broadcom, the pulse logo, Connecting everything, Avago Technologies, Avago, and the A logo are among the trademarks of Broadcom and/or its affiliates in the United States, certain other countries, and/or the EU.

Copyright © 2007–2021 Broadcom. All Rights Reserved.

The term “Broadcom” refers to Broadcom Inc. and/or its subsidiaries. For more information, please visit www.broadcom.com.

Broadcom reserves the right to make changes without further notice to any products or data herein to improve reliability, function, or design. Information furnished by Broadcom is believed to be accurate and reliable. However, Broadcom does not assume any liability arising out of the application or use of this information, nor the application or use of any product or circuit described herein, neither does it convey any license under its patent rights nor the rights of others.

