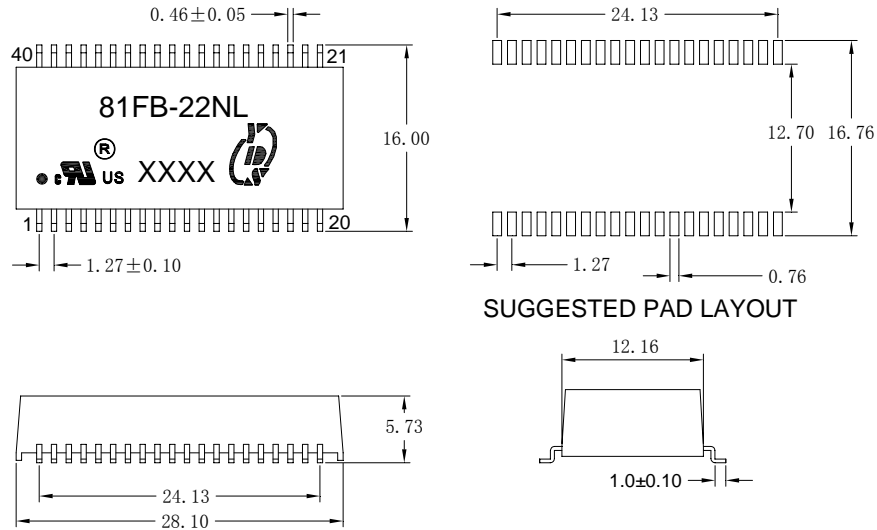


REV.	DESCRIPTION	DATE	DWN	AP'PD

一、Mechanicals Dimensions

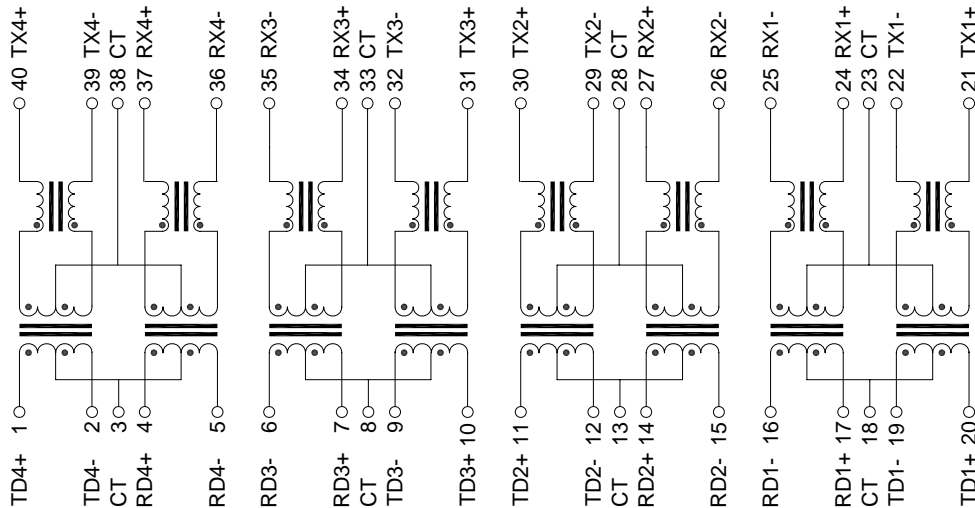


UNIT:mm Unless otherwise specified,all tolerances are ± 0.25

三、ELECTRICAL SPECIFICATIONS@25°C:

1. Turn Ratio($\pm 3\%$): 1CT:1CT
2. OCL(100KHz/0.1V@8mA): 350uH MIN
3. Insertion Loss(dB TYP): -0.5dB (0.1-100MHz)
4. Return Loss (dB MIN): -18dB(2-30MHz), -14.4dB(40MHz),
-13.1dB(50MHz), -12dB (60-80MHz)
5. HI-POT: 1500Vrms/0.5mA/60Sec or 1650Vrms/0.5mA/2Sec
6. Operating Temperature:-40°C TO +85°C
7. RoHS compliance:YES

二、Schematics



Ref: BOM-AC70



元册科技股份有限公司

YUAN DEAN SCIENTIFIC CO., LTD.

TITLE 10/100BASE-T MAGANETIC MODULE

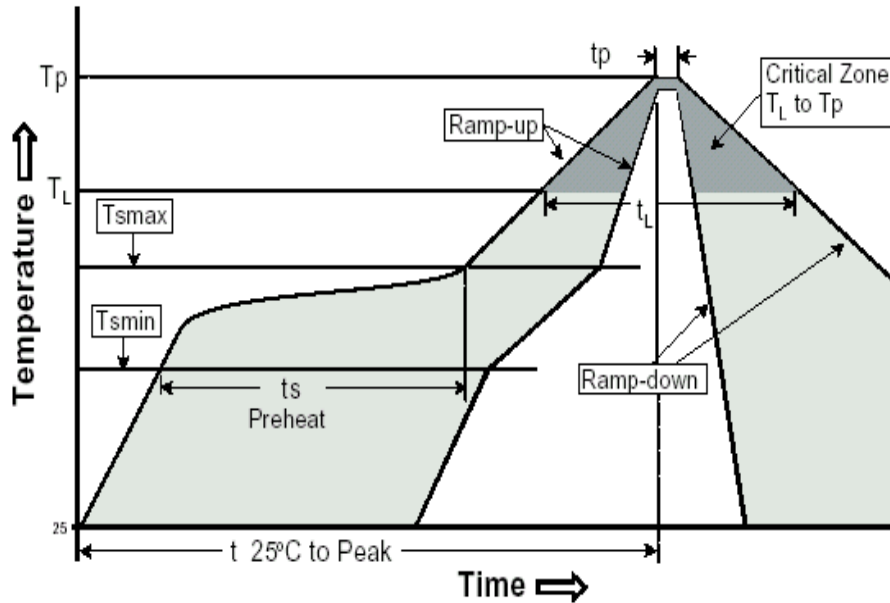
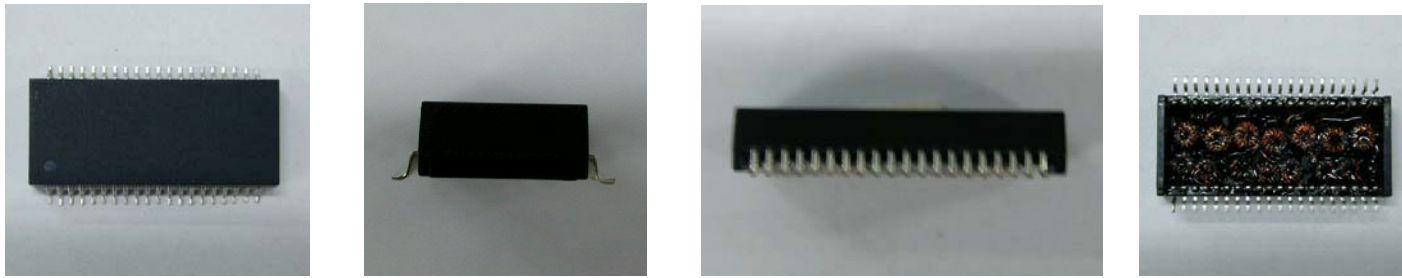
P/N 81FB-22NL REV. 0

PAGE NO 1-3 DATE 2009-9-23

AP'PD Li YueSheng DWN HuXiaoLan

四、Our RoHS parts just can withstand IR Reflow peak temperature: 245degC+/-5degC as the following profile:

REV.	DESCRIPTION	DATE	DWN	AP'PD



Profile Feature	Pb-Free Assembly
Average Ramp-Up Rate ($T_{s_{max}}$ to T_p)	3°C /second max.
Preheat -Temperature Min ($T_{s_{min}}$) -Temperature Max ($T_{s_{max}}$) -Time ($t_{s_{min}}$ to $t_{s_{max}}$)	150°C 200°C 60-180 seconds
Time maintained above: -Temperature (T_L) -Time (t_L)	217°C 60-150 seconds
Peak/Classification Temperature (T_p)	245±5°C
Time within 5°C of actual Peak Temperature (t_p)	20-40 seconds
Ramp-Down Rate	6°C/seconds max
Time 25°C to Peak Temperature	6 minutes max.



元册科技股份有限公司

YUAN DEAN SCIENTIFIC CO., LTD.

TITLE

10/100BASE-T MAGANETIC MODULE

P/N

81FB-22NL

REV.

0

PAGE NO

2-3

DATE

2009-9-23

AP'PD

Li YueSheng

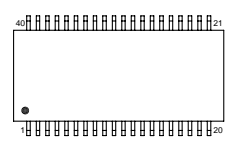
DWN

HuXiaoLan

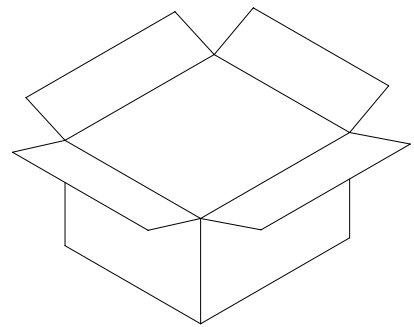
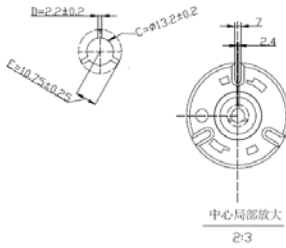
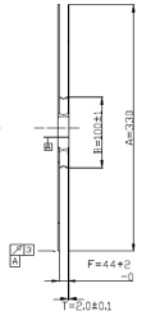
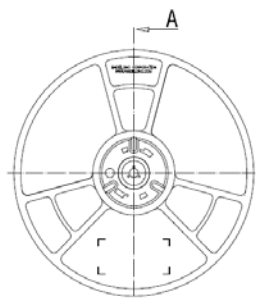
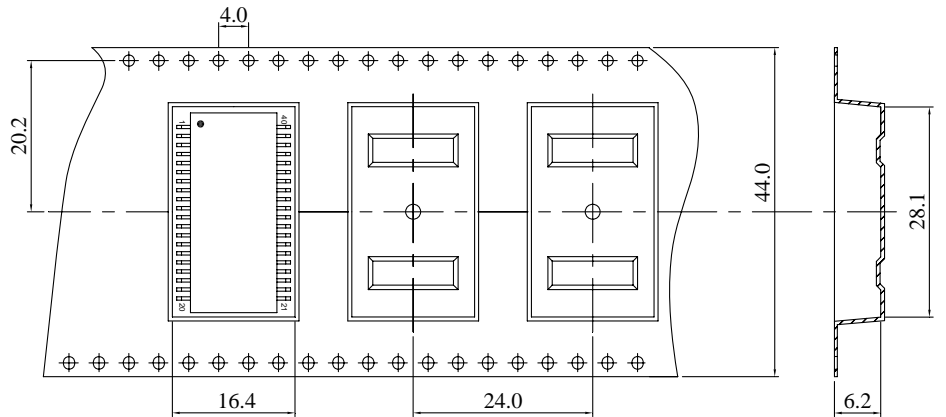
五、 Packing Information:

REV.	DESCRIPTION	DATE	DWN	AP'PD

- 1.Weight----- 2.7grams/pcs
- 2.Tape & Reel----- 400pcs
- 3. outer carton unit: 2400pcs/box
- 4. outer carton unit: 6T&R/box
- 5.Weight: 11.0kg per carton



Mechanicals



Outer carton: 365x365x350mm



元册科技股份有限公司

YUAN DEAN SCIENTIFIC CO., LTD.

TITLE	10/100BASE-T MAGANETIC MODULE		
P/N	81FB-22NL	REV.	0
PAGE NO	3-3	DATE	2009-9-23
AP'PD	Li YueSheng	DWN	HuXiaoLan