

Technical Data Sheet

Side View LEDs (Height 0.6mm)

99-216UMC/XXXXXXXX/TR8

Features

- Side view white LED
- White SMT package
- Lead frame package with individual 2 pins
- Wide viewing angle
- Soldering methods: IR reflow soldering
- Pb-free
- The product itself will remain within RoHS compliant version.



Descriptions

- Due to the package design, 99-216 has wide viewing angle, low power consumption and white LEDs are devices which are materialized by combing blue chip and special phosphor. This feature makes the LED ideal for light guide application.

Applications

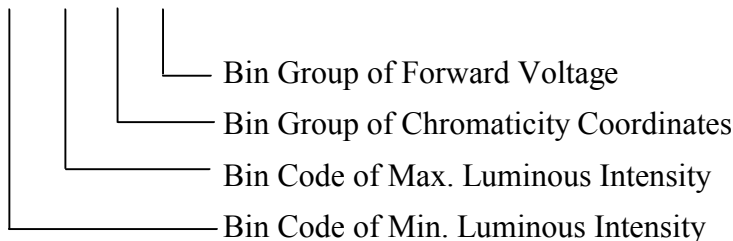
- LCD Back Light
- Mobile phones
- Indicators
- Illuminations
- Switch Lights

Device Selection Guide

Chip	Emitted Color	Resin Color
Material		
InGaN	Pure White	Water Clear

Coding:

99-216UMC/XX XX XX X/TR8

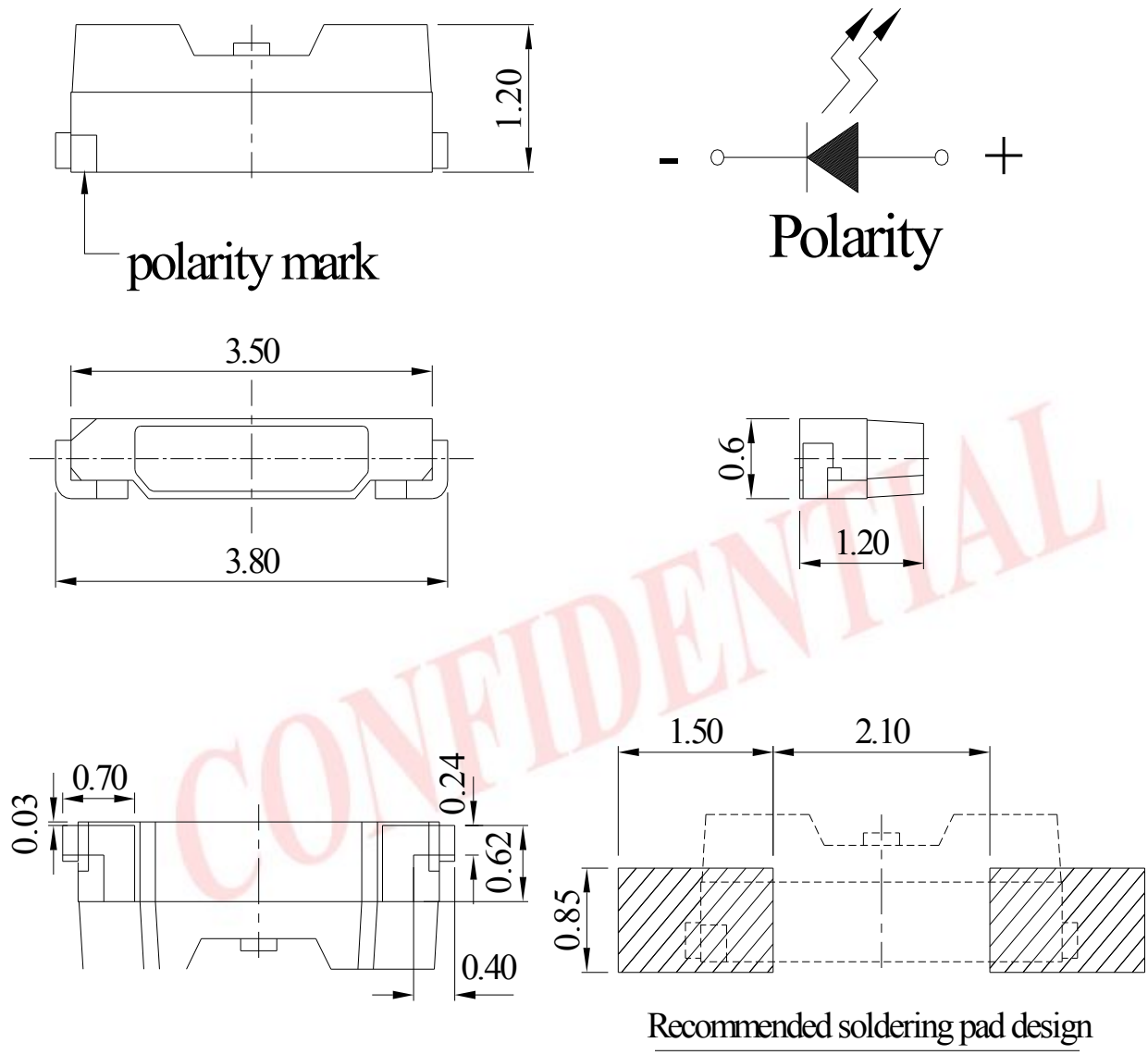


Technical Data Sheet

Side View LEDs (Height 0.6mm)

99-216UMC/XXXXXXXX/TR8

Package Outline Dimensions



Note: The tolerance unless mentioned is ± 0.1 mm, unit = mm.

**Technical Data Sheet****Side View LEDs (Height 0.6mm)****99-216UMC/XXXXXXXX/TR8****Absolute Maximum Ratings (Ta=25)**

Parameter	Symbol	Rating	Unit
Reverse Voltage	V _R	5	V
Forward Current	I _F	30	mA
Peak Forward Current (Duty 1/10 @10ms)	I _{FP}	100	mA
Power Dissipation	P _d	110	mW
Electrostatic Discharge(HBM)* ¹	ESD	2000	V
Operating Temperature	T _{opr}	-40 ~ +85	
Storage Temperature	T _{stg}	-40 ~ +90	
Soldering Temperature	T _{sol}	Reflow Soldering: 260 for 10 sec. Hand Soldering: 350 for 3 sec.	

Note: The products are sensitive to static electricity and must be carefully taken when handling products.

Electro-Optical Characteristics (Ta=25)

Parameter	Symbol	Min.	Typ.	Max.	Unit	Condition
Viewing Angle	2θ _{1/2}	-----	110	-----	deg	I _F =20mA
Reverse Current	I _R	-----	-----	50	μA	V _R =5V



Technical Data Sheet

Side View LEDs (Height 0.6mm)

99-216UMC/XXXXXXXX/TR8

Bin Range of Luminous Intensity

Bin Code	Min.	Max.	Unit	Condition
22	1200	1250	mcd	I _F =20mA
23	1250	1300		
24	1300	1350		
25	1350	1400		
26	1400	1450		
27	1450	1500		
28	1500	1550		
29	1550	1600		
30	1600	1650		
31	1650	1700		
32	1700	1750		
33	1750	1800		
34	1800	1850		
35	1850	1900		
36	1900	1950		
37	1950	2000		
38	2000	2050		
39	2050	2100		
40	2100	2150		
41	2150	2200		
42	2200	2300		
43	2300	2400		

Note: Tolerance of Luminous Intensity: ±11%



Technical Data Sheet

Side View LEDs (Height 0.6mm)

99-216UMC/XXXXXXXX/TR8

Bin Range of Forward Voltage

Group								Bin Code	Min.	Max.	Unit	Condition
0	1	2	3	4	5	6	7	6-1	2.95	3.05	V	I _F =20mA
								6-2	3.05	3.15		
	8	D	7-1	3.15	3.25							
			7-2	3.25	3.35							
	8	D	8-1	3.35	3.45							
			8-2	3.45	3.55							
	8	D	9-1	3.55	3.65							
			9-2	3.65	3.75							

Group	Bin Code	Min.	Max.	Unit	Condition
9	6-11	3.00	3.05	V	I _F =20mA
	6-2	3.05	3.15		
	7-1	3.15	3.25		
	7-2	3.25	3.35		
	8-1	3.35	3.45		
	8-11	3.45	3.50		

Note: Tolerance of Forward Voltage: ±0.05V



Technical Data Sheet

Side View LEDs (Height 0.6mm)

99-216UMC/XXXXXXXX/TR8

Bin Range of Forward Voltage

Group		Bin Code	Min.	Max.	Unit	Condition
A	G	6-1-1	2.95	3.00	V	I _F =20mA
		6-1-2	3.00	3.05		
		6-2-1	3.05	3.10		
		6-2-2	3.10	3.15		
		7-1-1	3.15	3.20		
		7-1-2	3.20	3.25		
		7-2-1	3.25	3.30		
		7-2-2	3.30	3.35		
		8-1-1	3.35	3.40		
		8-1-2	3.40	3.45		

Group					Bin Code	Min.	Max.	Unit	Condition	
B	C	E	F	K	H	5-2-3	2.90	3.00	V	I _F =20mA
						6-1-3	3.00	3.10		
						6-2-3	3.10	3.20		
						7-1-3	3.20	3.30		
						7-2-3	3.30	3.40		
						8-1-3	3.40	3.50		

Note: Tolerance of Forward Voltage: ±0.05V

**Technical Data Sheet****Side View LEDs (Height 0.6mm)****99-216UMC/XXXXXXXX/TR8****Bin Range of Chromaticity Coordinates Block****($I_F=20mA$)**

Group	Range	I_V Rank*	Group	Range	I_V Rank*
01	B5-1,B5-2,B5-3,B5-4	37	27	A0-2, A0-1, A0-3	35
02	B5-1~B5-4,A0-2,A0-4	37	28	A0-2, A0-4, A0-3	35
07	B5-1,B5-3,A0-4	36	29	A0-2, B5-1, B5-3	36
08	A0-2,A0-3,A0-4	35	30	A0-2, A0-4, B5-3	36
09	A0-1,A0-3,A0+4	34	31	B5-1, A0-2, A0-4	36
10	A0+1, A0+2, A0-1	34	32	B5-1, B5-3, A0-4	36
11	A0+2, A0-1, A0-2	35	33	B5-1, B5-2, B5-4	37
12	A0-1, A0-2, B5-1	36	34	B5-1, B5-3, B5-4	37
13	A0-2, B5-1, B5-2	37	35	B5-2, B5-1, B5-3	37
14	A0+3, A0+4, A0-3	34	36	B5-2, B5-4, B5-3	37
15	A0+4, A0-3, A0-4	36	37	B5-1, B5-2	37
16	A0-3, A0-4, B5-3	36	38	A0-1, A0-3	34
17	A0-4, B5-3, B5-4	37	39	A0-2,A0-4,B5-1,B5-3	36
18	A0+1, A0+2, A0+4	33	40	A0-3,A0-4	35
19	A0+1, A0+3, A0+4	33	41	A0-4,B5-1,B5-3,B5-4	37
20	A0+2, A0+1, A0+3	33	42	A0-4, B5-3	36
21	A0+2, A0-1, A0-3	34	43	B5-2,B5-4	37
22	A0+2, A0+4, A0-3	34	44	A0-1,A0-2,A-4,B5-3	36
23	A0-1, A0+2, A0+4	34	45	B5-1, B5-3	36
24	A0-1, A0-3, A0+4	34	46	A0+1, A0+2	33
25	A0-1, A0-2, A0-4	35	47	B6-1, B6-2, B6-3, B6-4	39
26	A0-1, A0-3, A0-4	35	48	B6-2,B6-4	39

Note: The I_V rank is the highest one for relative bin range of chromaticity coordinates.

**Technical Data Sheet****Side View LEDs (Height 0.6mm)****99-216UMC/XXXXXXXX/TR8****Bin Range of Chromaticity Coordinates Block****(I_F=20mA)**

Group	Range	I _V Rank*	Group	Range	I _V Rank*
49	A0-2, B5-1, B5-3, B5-4	37	69	B5-1,B5-2,B5-3,B5-4 sub-division	36
50	A0-1~A0-4, B5-1~B5-4	37	70	A0+4-2, A0+4-4, A0-3 (sub-division), A0-4-1, A0-4-3	34
51	A0-1, A0-3, A0-4-1,A0-4-3	35	71	A0-3, A0-4 sub-division	35
52	A0+3, A0+4	33	72	A0+1 ~ +4, A0-1 ~ -4, B5-1 ~ -4, B6-1 ~ -4	39
53	B6-1, B6-2, B6-3	39	73	A0-4, B5-1, B5-3 sub-division	36
54	B6-1, B6-3	39	74	A0-4	35
55	B5-2, B5-4, B6-1, B6-3	38	75	B5-2	37
56	B5-2, B6-1	38	76	A0-1~A0-4;B5-1~B5-4	37
57	A0-2, B5-1	36	77	B5-3, B5-4 sub-division	37
58	A0-1, A0-2	35	78	A0-3,A0+4	34
59	A0-1, A0-2, A0-3, A0-4, B5-1	36	79	B5-1,2,3,4 & B6-3 sub-division	39
60	A0+2, A0+4, A0-1, A0-3	34	80	A0-3, A0-4, B5-3 sub-division	37
61	B5-2-1~B5-2-4, 6-1-1~B6-1-4	38	81	A0-3,A0-4,B5-3	37
62	B5-3, B5-4	38	82	A0-1~A0-4,A0+2,A0+4	34
63	A0-1~A0-4, B5-1, B5-3	37	83	B5-4,B6-3	39
64	A0-2, A0-4	36	84	B6-1,B6-2	39
65	A0-2, A0-3, A0-4, B5-3 ^{*3}	35	85	A0-4, B5-2, B5-3, B5-4	37
66	A0-3-1~A0-3-4, A0-4-1~A0-4-4	35	86	B5-1~5-4 & B6-1~ B6-4 sub-division	39
67	A0-1, A0-3,A0-4,A0+2	35	87	B5-3	37
68	A0+4-R, A0-3, A0-4-L	34	88	B5-2-3, B5-2-4, B6-4-1, B6-1-2, B5-4(sub-division), B6-1-3, B6-3(sub-division), B6-1-4,	39

Note: The I_V rank is the highest one for relative bin range of chromaticity coordinates.

**Technical Data Sheet****Side View LEDs (Height 0.6mm)****99-216UMC/XXXXXXXX/TR8****Bin Range of Chromaticity Coordinates Block****(I_F=20mA)**

Group	Range	I _v Rank*	Group	Range	I _v Rank*
89	A0-4, B5-3 sub-division	37	A3	B5-2, B5-4, B6-3	39
90	A0-4-R, B5-3 sub-division	37	A4	A0-1, A0-2, A0-4 sub-division	35
91	A0-3-2, A0-3-4, A0-4(sub-division), B5-3-1, B5-3-3	37	A5	A0-2, A0-4, B5-3 sub-division	36
92	B5-2, B6-1-1, B6-4-1, B5-3-2, B6-1-3, B6-4-3, B6-1-4, B6-4-4, B5-4, B6-3	39	A6	A0-4-R, B5-3, B5-4-L	37
93	A0+4, A0-3(sub-division)	34	A7	B6-2, B6-4, C0-1, C0-3	40
94	A0-4-R, B5-3, B5-4 sub-division	37	A8	B5-1, B5-3, B5-4 sub-division	37
95	B5-4, B6-3 sub-division	39	A9	A0-1, A0-2, A0-3, A0-4 sub-division	35
96	A0-4, B5-3, B5-4 sub-division	37	B2	A0-4, B5-3, B5-4-L	37
97	B6-1, B6-3, B6-4	39	C0	C0-1, C0-2, C0-3, C0-4	40
98	A0+1~A0+4; A0-1~A0-4; B5-1~B5-4; B6-1~B6-4; NA0-3~NB6-3 (Entire district)	38	A	A0+1, A0+2, A0+3, A0+4	34
99	B5-2, B5-4, B6-1, B6-3 sub-division	39	B	A0+4, A-3, A0-4	34
A1	A0+1, A0+2 sub-division	33	C	A0-1, A0-2, A0-3, A0-4	35
A2	B6-2, B6-3, B6-4	40			

Note: The I_v rank is the highest one for relative bin range of chromaticity coordinates.



Technical Data Sheet

Side View LEDs (Height 0.6mm)

99-216UMC/XXXXXXXX/TR8

Bin Range of Chromaticity Coordinates Block

($I_F=20mA$)

Group	Range	I_V Rank*
S1	NA0-3,NA0-4,NB5-3,NB5-4,NB6-3,A0-3a,A0-3b,A0-4a,A0-4b,B5-3a,B5-3b, B5-4a,B5-4b,B6-3a,B6-3b	39
S2	NA0-3,NA0-4, A0-3a,A0-3b,A0-4a,A0-4b	35
S3	NB5-3,NB5-4, B5-3a,B5-3b,B5-4a,B5-4b	37
S4	NB5-4, B5-4b, NB6-3, B6-3b subdivision	38
S5	NB5-3,NB5-4	37
S6	NA0-4,B5-3b,NB5-3	37
S7	NA0-3,NA0-4 subdivision	36
S8	NA0-4,NB5-3,NB5-4 subdivision	37
S9	NB5-3,NB5-4 subdivision	37
SA	NA0-3,NA0-4,NB5-3,NB5-4 subdivision	37
SB	NA0-3,NA0-4,NB5-3,NB5-4, NB6-3 subdivision	38
SC	NA0-4, NB5-3	37
SD	NA0-4-R, NB5-3, NB5-4-L subdivision	37

Note: The I_V rank is the highest one for relative bin range of chromaticity coordinates.



Technical Data Sheet

Side View LEDs (Height 0.6mm)

99-216UMC/XXXXXXXX/TR8

Bin Code of Chromaticity Coordinates

Bin Code	CIE_x	CIE_y	Bin Code	CIE_x	CIE_y
A0+1	0.2569	0.2528	A0+3	0.2652	0.2429
	0.2498	0.2385		0.2584	0.2283
	0.2584	0.2283		0.2666	0.2185
	0.2652	0.2429		0.2733	0.2333
A0+2	0.2640	0.2670	A0+4	0.2720	0.2575
	0.2569	0.2528		0.2652	0.2429
	0.2652	0.2429		0.2733	0.2333
	0.2720	0.2575		0.2800	0.2480
A0-1	0.2720	0.2575	A0-3	0.2800	0.2480
	0.2640	0.2670		0.2720	0.2575
	0.2755	0.2810		0.2818	0.2715
	0.2818	0.2715		0.2879	0.2619
A0-2	0.2818	0.2715	A0-4	0.2879	0.2619
	0.2755	0.2810		0.2818	0.2715
	0.2870	0.2950		0.2915	0.2855
	0.2915	0.2855		0.2960	0.2760

Note: Tolerance of Chromaticity Coordinates: ± 0.01



Technical Data Sheet

Side View LEDs (Height 0.6mm)

99-216UMC/XXXXXXXX/TR8

Bin Code of Chromaticity Coordinates

Bin Code	CIE_x	CIE_y	Bin Code	CIE_x	CIE_y
B5-1	0.2915	0.2855	B5-3	0.2960	0.2760
	0.2870	0.2950		0.2915	0.2855
	0.2970	0.3050		0.3003	0.2950
	0.3003	0.2950		0.3035	0.2850
B5-2	0.3003	0.2950	B5-4	0.3035	0.2850
	0.2970	0.3050		0.3003	0.2950
	0.3070	0.3150		0.3090	0.3045
	0.3090	0.3045		0.3110	0.2940
B6-1	0.3090	0.3045	B6-3	0.3110	0.2940
	0.3070	0.3150		0.3090	0.3045
	0.3185	0.3270		0.3195	0.3165
	0.3195	0.3165		0.3205	0.3060
B6-2	0.3195	0.3165	B6-4	0.3205	0.3060
	0.3185	0.3270		0.3195	0.3165
	0.3300	0.3390		0.3300	0.3285
	0.3300	0.3285		0.3300	0.3180

Note: Tolerance of Chromaticity Coordinates: ±0.01



Technical Data Sheet

Side View LEDs (Height 0.6mm)

99-216UMC/XXXXXXXX/TR8

Bin Code of Chromaticity Coordinates

Bin Code	CIE_x	CIE_y	Bin Code	CIE_x	CIE_y
NA0-3	0.2800	0.2480	NB5-3	0.2960	0.2760
	0.2720	0.2580		0.2910	0.2870
	0.2820	0.2720		0.2990	0.3010
	0.2880	0.2620		0.3040	0.2900
NA0-4	0.2880	0.2620	NB5-4	0.3040	0.2900
	0.2820	0.2720		0.2990	0.3010
	0.2910	0.2870		0.3070	0.3150
	0.2960	0.2760		0.3120	0.3040
NB6-3	0.3120	0.3040			
	0.3070	0.3150			
	0.3150	0.3290			
	0.3200	0.3180			

Note: Tolerance of Chromaticity Coordinates: ±0.01

CONFIDENTIAL



Technical Data Sheet

Side View LEDs (Height 0.6mm)

99-216UMC/XXXXXXXX/TR8

Bin Code of Chromaticity Coordinates

Bin Code	CIE_x	CIE_y	Bin Code	CIE_x	CIE_y
A0-3a	0.2720	0.2580	B5-3b	0.2980	0.2710
	0.2793	0.2755		0.2960	0.2760
	0.2820	0.2720		0.3040	0.2900
				0.3062	0.2853
A0-3b	0.2830	0.2440	B5-4a	0.2990	0.3010
	0.2800	0.2480		0.2968	0.3058
	0.2880	0.2620		0.3048	0.3198
	0.2910	0.2580		0.3070	0.3150
A0-4a	0.2820	0.2720	B5-4b	0.3062	0.2853
	0.2793	0.2755		0.3040	0.2900
	0.2887	0.2916		0.3120	0.3040
	0.2910	0.2870		0.3142	0.2993
A0-4b	0.2910	0.2580	B6-3a	0.3070	0.3150
	0.2880	0.2620		0.3048	0.3198
	0.2960	0.2760		0.3128	0.3338
	0.2980	0.2710		0.3150	0.3290
B5-3a	0.2910	0.2870	B6-3b	0.3142	0.2993
	0.2887	0.2916		0.3120	0.3040
	0.2968	0.3058		0.3200	0.3180
	0.2990	0.3010		0.3222	0.3133

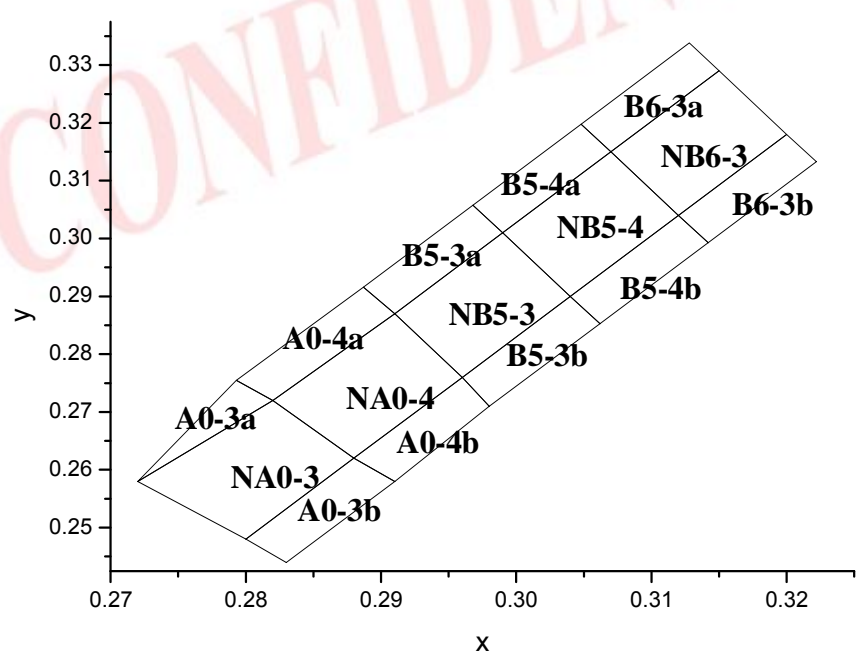
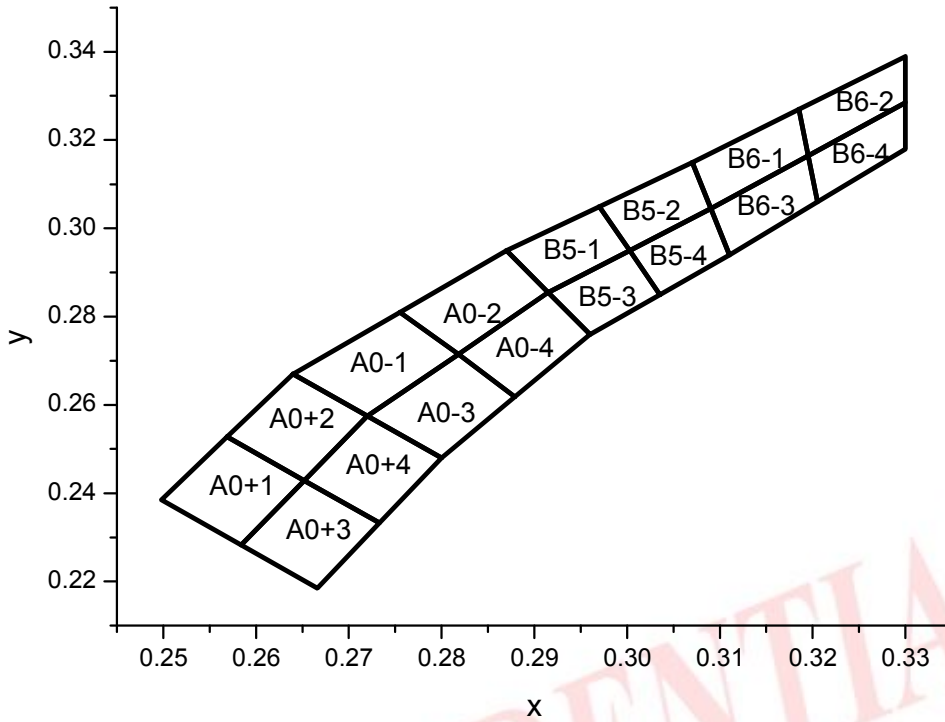
Note: Tolerance of Chromaticity Coordinates: ± 0.01

Technical Data Sheet

Side View LEDs (Height 0.6mm)

99-216UMC/XXXXXXXX/TR8

The C.I.E. 1931 Chromaticity Diagram



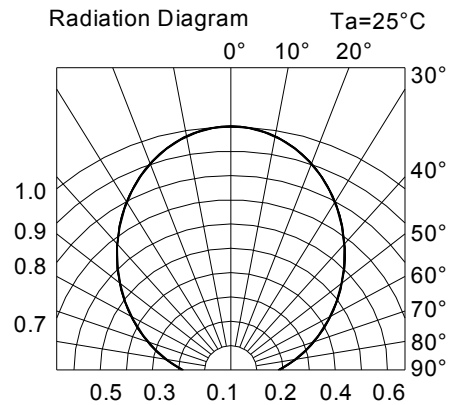
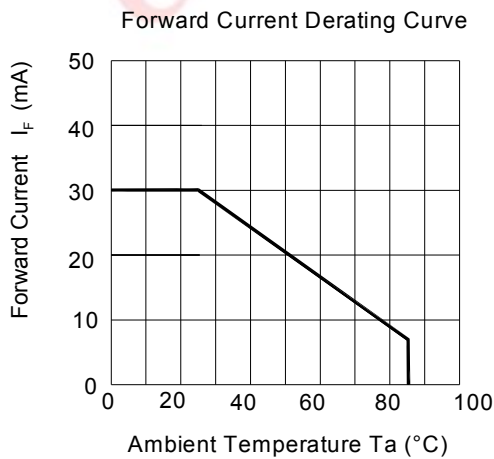
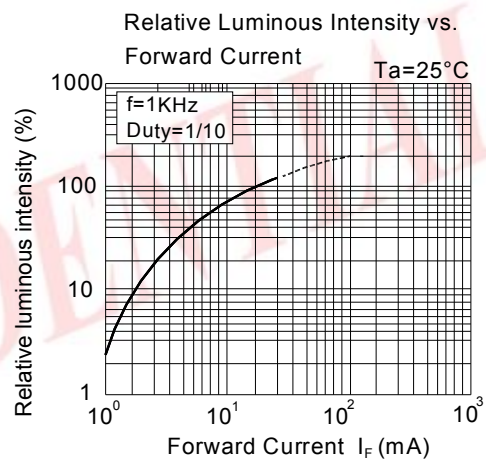
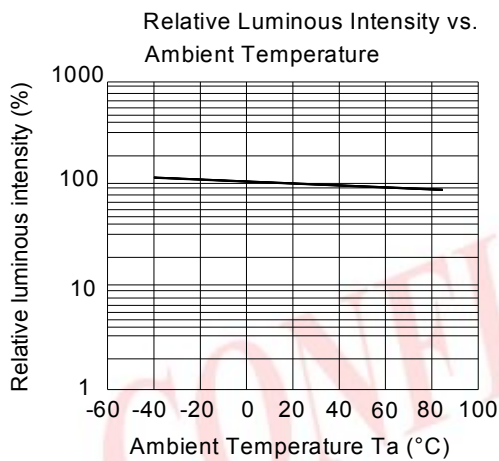
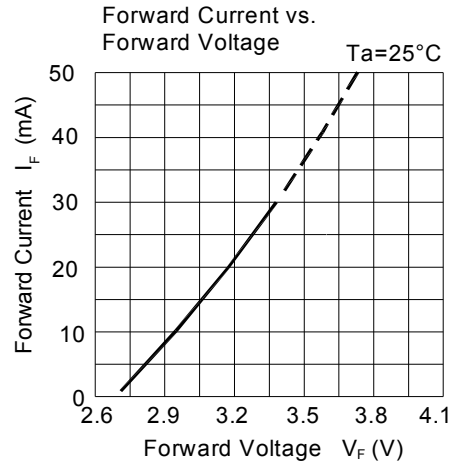
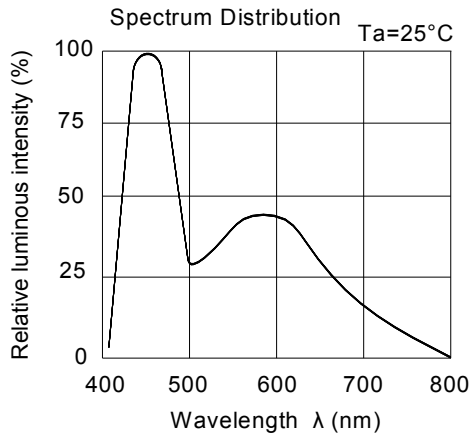
CONFIDENTIAL

Technical Data Sheet

Side View LEDs (Height 0.6mm)

99-216UMC/XXXXXXXX/TR8

Typical Electro-Optical Characteristics Curves



Technical Data Sheet

Side View LEDs (Height 0.6mm)

99-216UMC/XXXXXXXX/TR8

Label Explanation

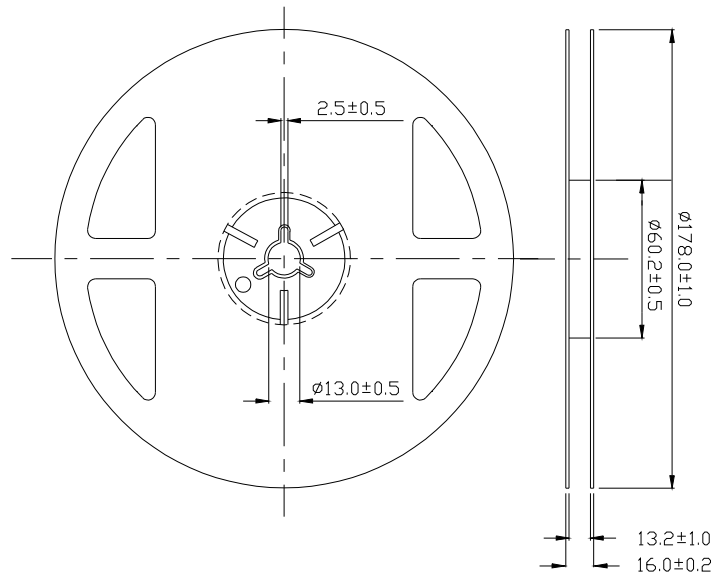
CAT: Luminous Intensity Rank

HUE: Chromaticity Coordinates

REF: Forward Voltage Rank



Reel Dimensions



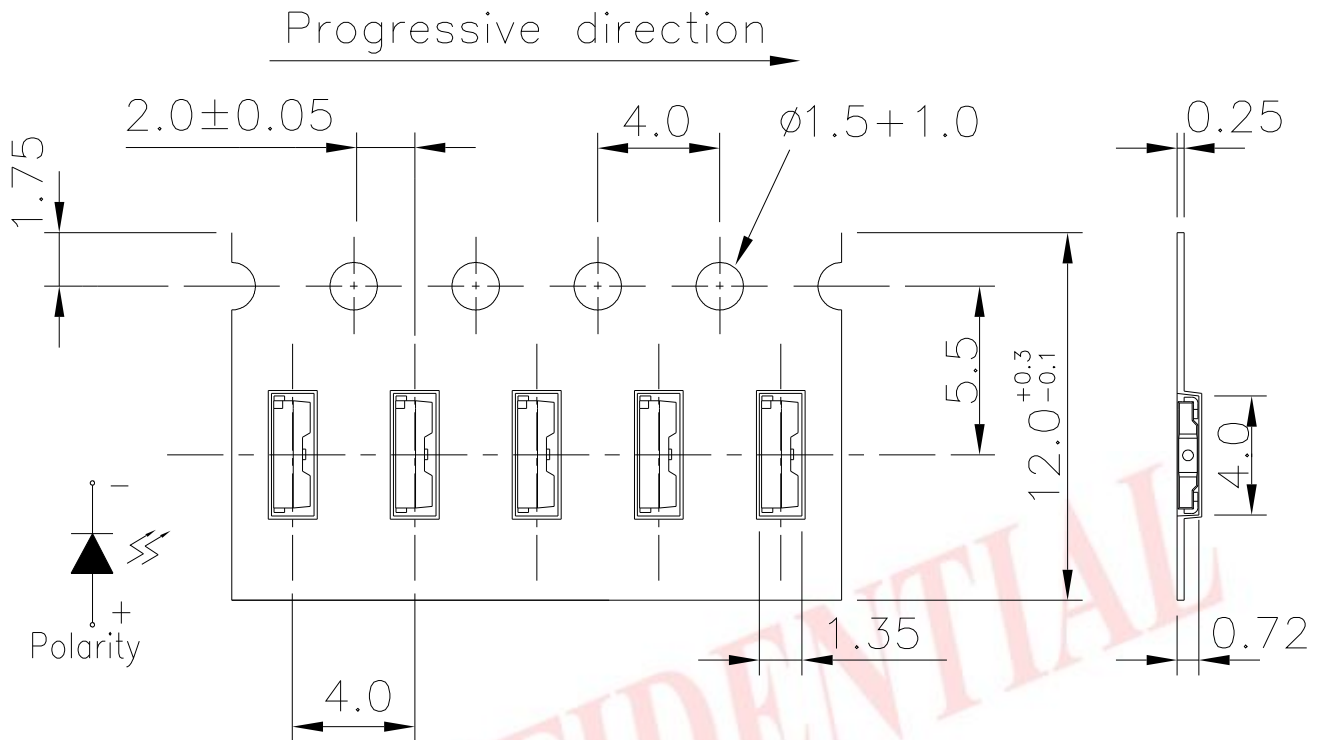
Note: The tolerance unless mentioned is ± 0.1 mm, unit = mm.

Technical Data Sheet

Side View LEDs (Height 0.6mm)

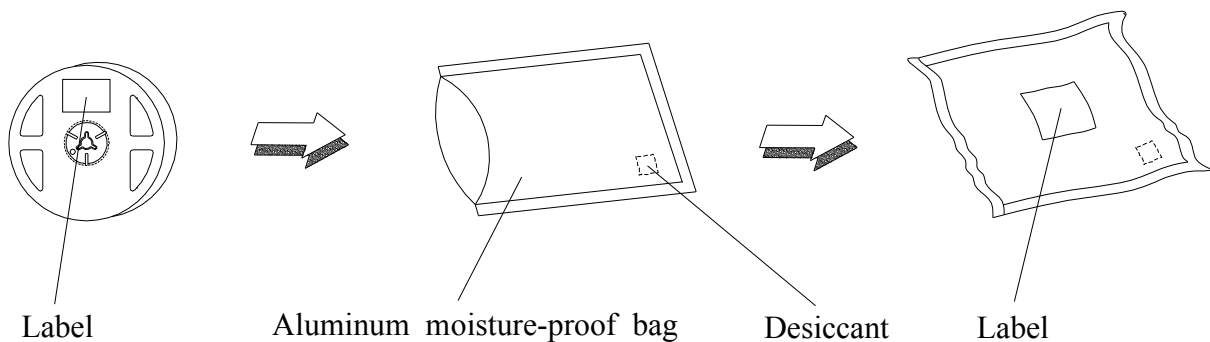
99-216UMC/XXXXXXXX/TR8

Carrier Tape Dimensions: Loaded Quantity 2000 pcs. Per Reel



Note: The tolerance unless mentioned is ±0.1mm, unit = mm.

Moisture Resistant Packaging





Technical Data Sheet

Side View LEDs (Height 0.6mm)

99-216UMC/XXXXXXXX/TR8

Reliability Test Items and Conditions

The reliability of products shall be satisfied with items listed below.

Confidence level : 90%

LTPD : 10%

No.	Items	Test Condition	Test Hours/Cycles	Sample Size	Ac/Re
1	Reflow Soldering	Temp. : 260 ±5 Max. 10 sec.	6 Min.	22 pcs.	0/1
2	Temperature Cycle	H : +100 15min ∫ 5 min L : -40 15min	300 Cycles	22 pcs.	0/1
3	Thermal Shock	H : +100 5min ∫ 10 sec L : -10 5min	300 Cycles	22 pcs.	0/1
4	High Temperature Storage	Temp. : 100	1000 Hrs.	22 pcs.	0/1
5	Low Temperature Storage	Temp. : -40	1000 Hrs.	22 pcs.	0/1
6	DC Operating Life	I _F = 20 mA / 25	1000 Hrs.	22 pcs.	0/1
7	High Temperature / High Humidity	85 /85%RH	1000 Hrs.	22 pcs.	0/1

Technical Data Sheet**Side View LEDs (Height 0.6mm)****99-216UMC/XXXXXXXX/TR8****Precautions for Use**

1. Over-current-proof

Customer must apply resistors for protection, otherwise slight voltage shift will cause big current change (Burn out will happen).

2. Storage

2.1 Do not open moisture proof bag before the products are ready to use.

2.2 Before opening the package: The LEDs should be kept at 30 °C or less and 90%RH or less.

2.3 After opening the package: The LED's floor life is 1 year under 30 °C or less and 60% RH or less.

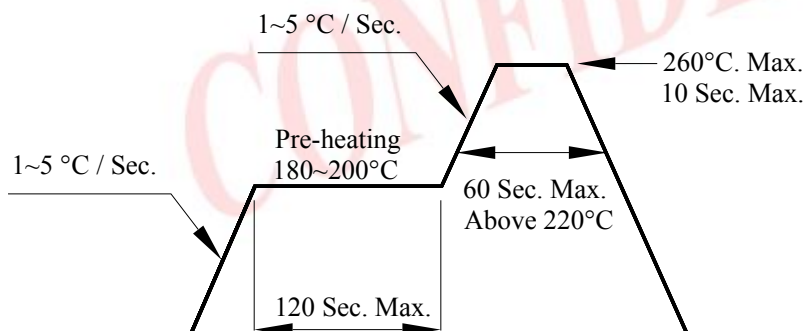
If unused LEDs remain, it should be stored in moisture proof packages.

2.4 If the moisture absorbent material (silica gel) has faded away or the LEDs have exceeded the storage time, baking treatment should be performed using the following conditions.

Baking treatment : 60±5 °C for 24 hours.

3. Soldering Condition

3.1 Pb-free solder temperature profile



3.2 Reflow soldering should not be done more than two times.

3.3 When soldering, do not put stress on the LEDs during heating.

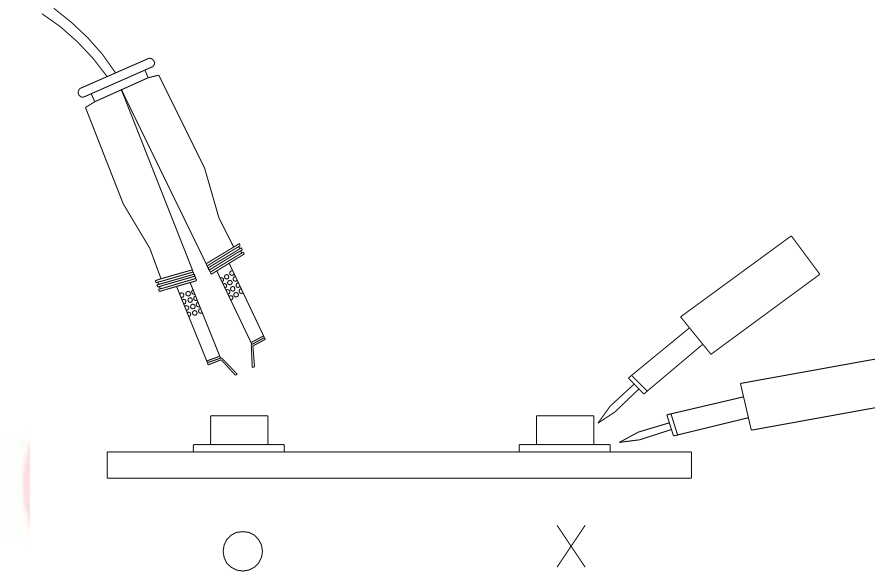
3.4 After soldering, do not warp the circuit board.

Technical Data Sheet**Side View LEDs (Height 0.6mm)****99-216UMC/XXXXXXXX/TR8****4. Soldering Iron**

Each terminal is to go to the tip of soldering iron temperature less than 350 for 3 seconds within once in less than the soldering iron capacity 25W. Leave two seconds and more intervals, and do soldering of each terminal. Be careful because the damage of the product is often started at the time of the hand solder.

5. Repairing

Repair should not be done after the LEDs have been soldered. When repairing is unavoidable, a double-head soldering iron should be used (as below figure). It should be confirmed beforehand whether the characteristics of the LEDs will or will not be damaged by repairing.

**6. Handling Indications**

During processing, mechanical stress on the surface should be minimized as much as possible. Sharp objects of all types should not be used to pierce the sealing compound

EVERLIGHT ELECTRONICS CO., LTD.
Office: No 25, Lane 76, Sec 3, Chung Yang Rd,
Tucheng, Taipei 236, Taiwan, R.O.C

Tel: 886-2-2267-2000, 2267-9936
Fax: 886-2267-6244, 2267-6189, 2267-6306
<http://www.everlight.com>