

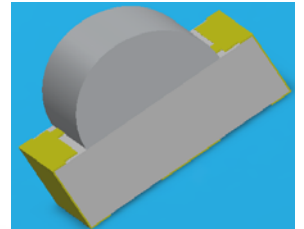
## Technical Data Sheet

### Chip Phototransistor with spherical top view Lens

#### LKPT30102B-A01(DY)

#### Features

- Fast response time
- High photo sensitivity
- Small junction capacitance
- Package in 8mm tape on “7” diameter reels.
- Pb free
- The product itself will remain within RoHS compliant version.
- Compliance with EU REACH
- Compliance Halogen Free .(Br <900 ppm ,Cl <900 ppm , Br+Cl < 1500 ppm).



#### Description

- LKPT30102B-A01(DY) is a phototransistor in miniature SMD package which is molded in a Black epoxy with spherical top view lens. The device is Spectrally matched to infrared emitting diode.

#### Applications

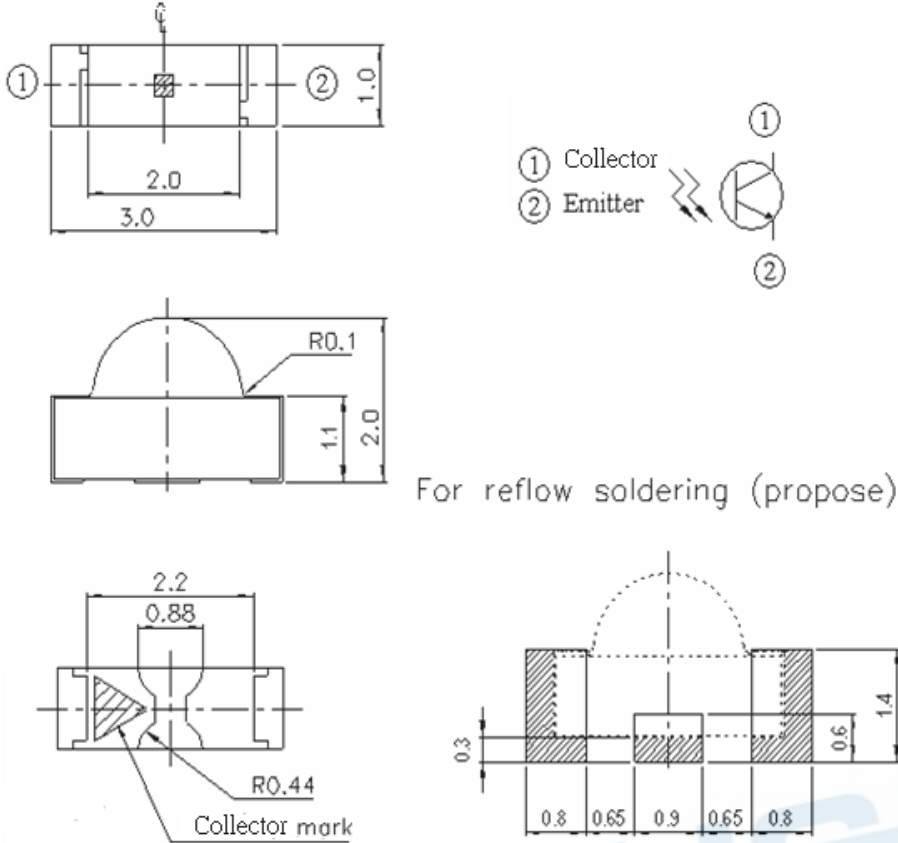
- Miniature switch
- Counters and sorter
- Position sensor
- Infrared applied system

#### Device Selection Guide

Device No.	Chip Material	Lens Color
PT	Silicon	Black

产品规格咨询热线：梁 SR 18148584520（微信同号）

## Package Dimensions



- Notes:** 1.All dimensions are in millimeters  
2.Tolerances unless dimensions  $\pm 0.1\text{mm}$

## Absolute Maximum Ratings ( $T_a=25^\circ\text{C}$ )

Parameter	Symbol	Rating	Unit
Collector-Emitter Voltage	$V_{CEO}$	30	V
Emitter-Collector-Voltage	$V_{ECO}$	5	V
Collector Current	$I_c$	50	mA
Operating Temperature	$T_{opr}$	-25 ~ +85	$^\circ\text{C}$
Storage Temperature	$T_{stg}$	-40 ~ +85	$^\circ\text{C}$
Soldering Temperature *1	$T_{sol}$	260	$^\circ\text{C}$
Power Dissipation at(or below) 25 $^\circ\text{C}$ Free Air Temperature	$P_c$	75	mW
ESD	HBM	Min.2000	V
	MM	Min.200	V

**Notes: \*1: Soldering time  $\leq 5$  seconds.**

产品规格咨询热线：梁 SR 18148584520（微信同号）

**Electro-Optical Characteristics (Ta=25°C unless specified otherwise)**

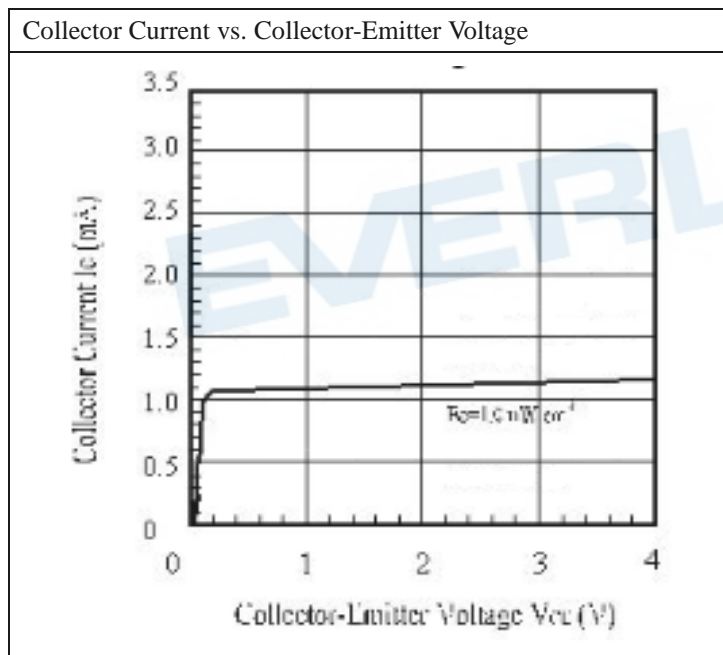
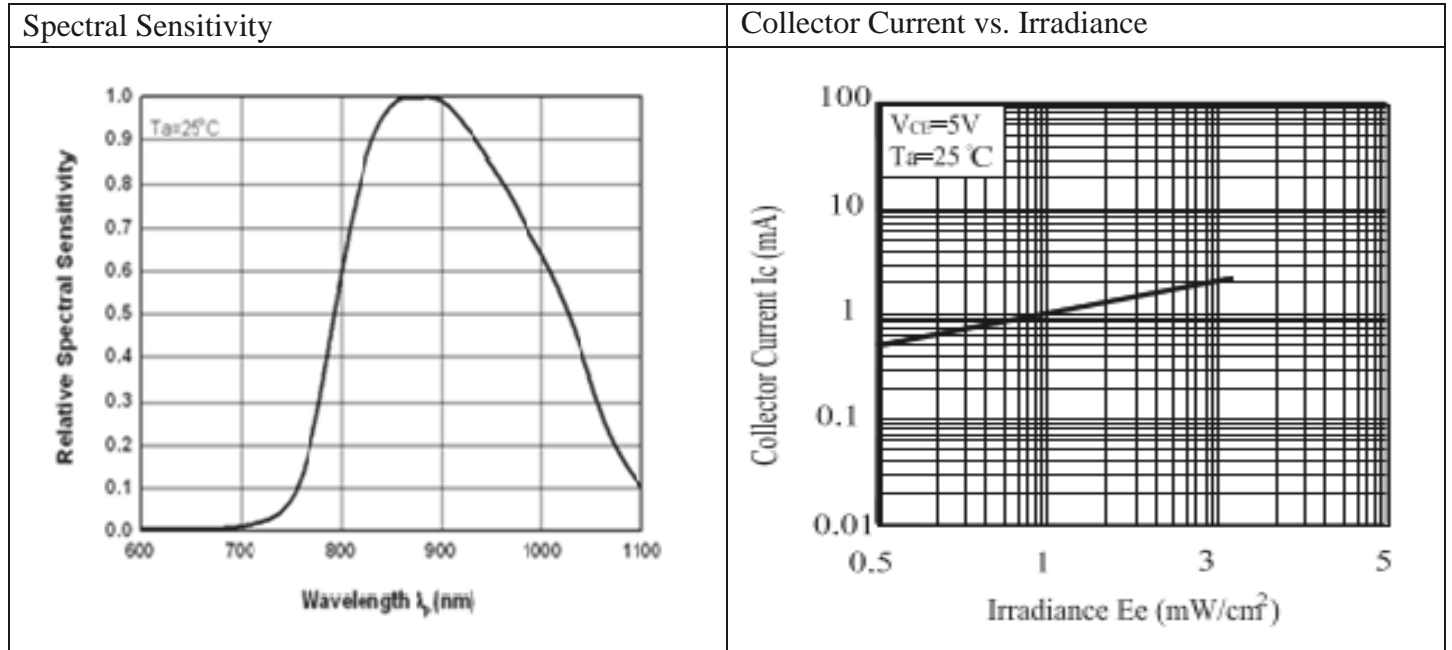
Parameter	Symbol	Min.	Typ.	Max.	Unit	Condition
Rang Of Spectral Bandwidth	$\lambda_{0.5}$	730	--	1100	nm	--
Wavelength Of Peak Sensitivity	$\lambda_p$	--	890	--	nm	--
Collector-Emitter Breakdown Voltage	$BV_{CEO}$	30	--	--	V	$I_C=100\mu A$ $E_e=0mW/cm^2$
Emitter-Collector Breakdown Voltage	$BV_{ECO}$	5	--	--	V	$I_E=100\mu A$ $E_e=0mW/cm$
Collector-Emitter Saturation Voltage	$V_{CE(sat)}$	--	--	0.4	V	$I_C=2mA$ $E_e=1m W/cm^2$
Collector Dark Current	$I_{CEO}$	--	--	100	nA	$V_{CE}=20V$ $E_e=0mW/cm^2$
On State Collector Current	$I_{C(ON)}$	0.76	--	--	mA	$V_{CE}=5V$ $E_e=1mW /cm^2$

**Intensity Specifications for Bin Grading :**

Rank	Test condition	Min	Max	Unit
BIN 3	$V_{CE}=5V$ $E_e=1mW/cm^2$ $\lambda_p=940nm$	0.76	1.90	mA
BIN 4		1.14	2.60	
BIN 5		1.77	---	

产品规格咨询热线：梁 SR 18148584520（微信同号）

Typical Electrical/Optical/Characteristics Curves for PT



产品规格咨询热线：梁 SR 18148584520（微信同号）

## Precautions For Use

### 1. Over-current-proof

Customer must apply resistors for protection , otherwise slight voltage shift will cause big current change ( Burn out will happen ).

### 2. Storage

2.1 Do not open moisture proof bag before the products are ready to use.

2.2 Before opening the package, the LEDs should be kept at 30°C or less and 90%RH or less.

2.3 The LEDs should be used within a year.

2.4 After opening the package, the LEDs should be kept at 30°C or less and 60%RH or less.

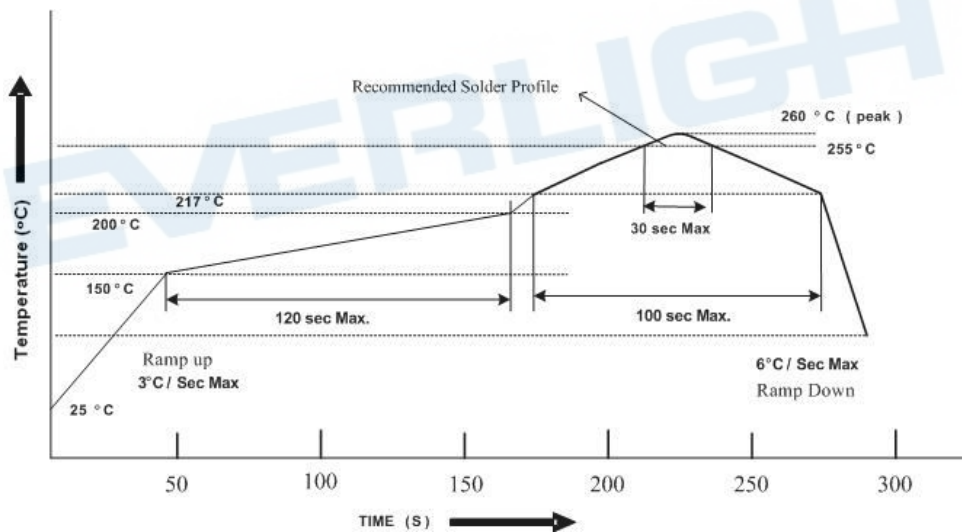
2.5 The LEDs should be used within 168 hours (7 days) after opening the package

2.6 If the moisture absorbent material (silica gel) has faded away or the LEDs have exceeded the storage time, baking treatment should be performed using the following conditions.

Baking treatment :  $60\pm 5^{\circ}\text{C}$  for Min. 24 hours.

### 3. Soldering Condition

#### 3.1 Pb-free solder temperature profile



3.2 Reflow soldering should not be done more than two times.

3.3 When soldering, do not put stress on the LEDs during heating.

3.4 After soldering, do not warp the circuit board.

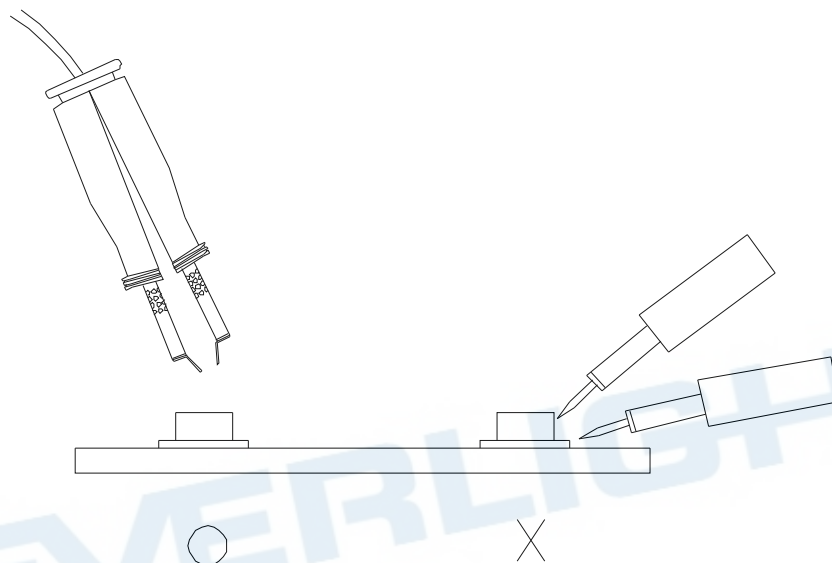
产品规格咨询热线：梁 SR 18148584520（微信同号）

#### 4. Soldering Iron

Each terminal is to go to the tip of soldering iron temperature less than  $350^{\circ}\text{C}$  for 3 seconds within once in less than the soldering iron capacity 25W. Leave two seconds and more intervals, and do soldering of each terminal. Be careful because the damage of the product is often started at the time of the hand solder.

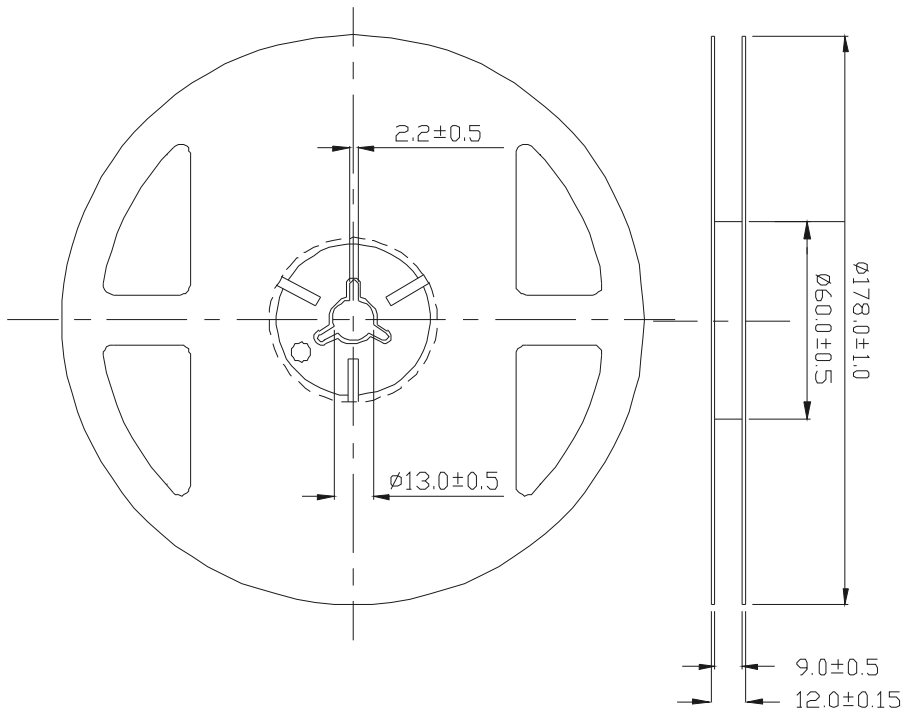
#### 5. Repairing

Repair should not be done after the LEDs have been soldered. When repairing is unavoidable, a double-head soldering iron should be used (as below figure). It should be confirmed beforehand whether the characteristics of the LEDs will or will not be damaged by repairing.



产品规格咨询热线: 梁 SR 18148584520 (微信同号)

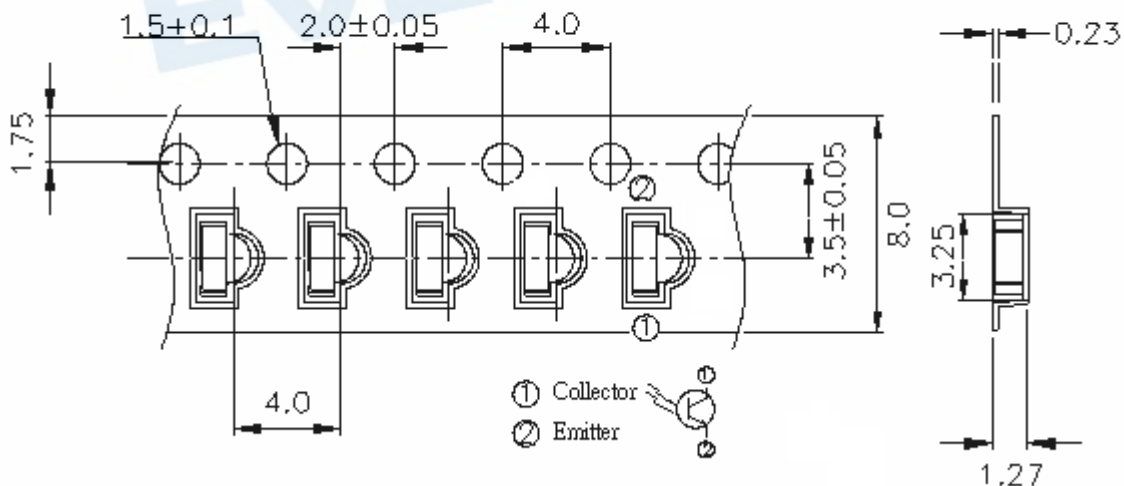
Package Dimensions



**Note:** The tolerances unless mentioned is  $\pm 0.1\text{mm}$ , Unit = mm

**Carrier Tape Dimensions :** ( Quantity: 2000pcs/reel)

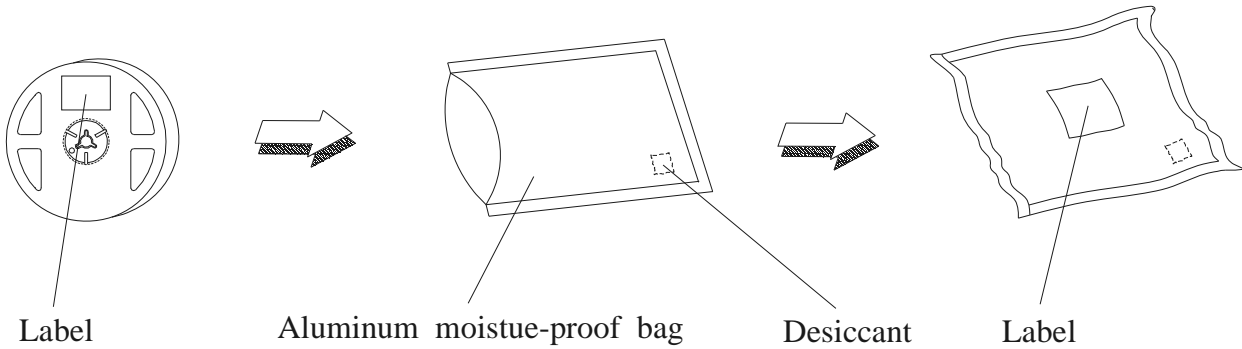
Feeding Direction



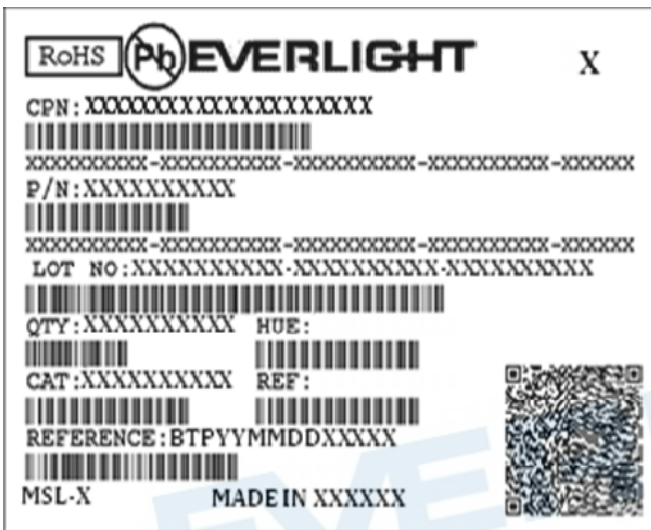
**Note:** The tolerances unless mentioned is  $\pm 0.1\text{mm}$ , Unit = mm

产品规格咨询热线：梁 SR 18148584520（微信同号）

## Packing Procedure



## Label Form Specification



CPN: Customer's Production Number  
 P/N : Production Number  
 QTY: Packing Quantity  
 CAT: Ranks  
 HUE: Peak Wavelength  
 REF: Reference  
 LOT No: Lot Number  
 Production Place: MADE IN XXXXXXXX

## DISCLAIMER

1. EVERLIGHT reserves the right(s) on the adjustment of product material mix for the specification.
2. The product meets EVERLIGHT published specification for a period of twelve (12) months from date of shipment.
3. The graphs shown in this datasheet are representing typical data only and do not show guaranteed values.
4. When using this product, please observe the absolute maximum ratings and the instructions for using outlined in these specification sheets. EVERLIGHT assumes no responsibility for any damage resulting from the use of the product which does not comply with the absolute maximum ratings and the instructions included in these specification sheets.
5. These specification sheets include materials protected under copyright of EVERLIGHT. Reproduction in any form is prohibited without obtaining EVERLIGHT's prior consent.
6. This product is not intended to be used for military, aircraft, automotive, medical, life sustaining or life saving applications or any other application which can result in human injury or death. Please contact authorized Everlight sales agent for special application request.