

## ■ Features

- Molding Inductor.
- Low Profile,Low Temp.
- Large Current(Over 15A).
- Customize For Different Need.
- Operating temperature:-40℃ ~ +125℃.

## ■ Applications

- General Electronic.
- Video Device,TV,TFT.
- Power Module for PC.
- NB/Lap Top Computer.
- Server,VGA Card/Module.

## ■ Product Identification

$\frac{\text{YSPI}}{(1)} \quad \frac{\square\square\square\square}{(2)} - \frac{\square\square\square}{(3)} \quad \frac{\square}{(4)}$

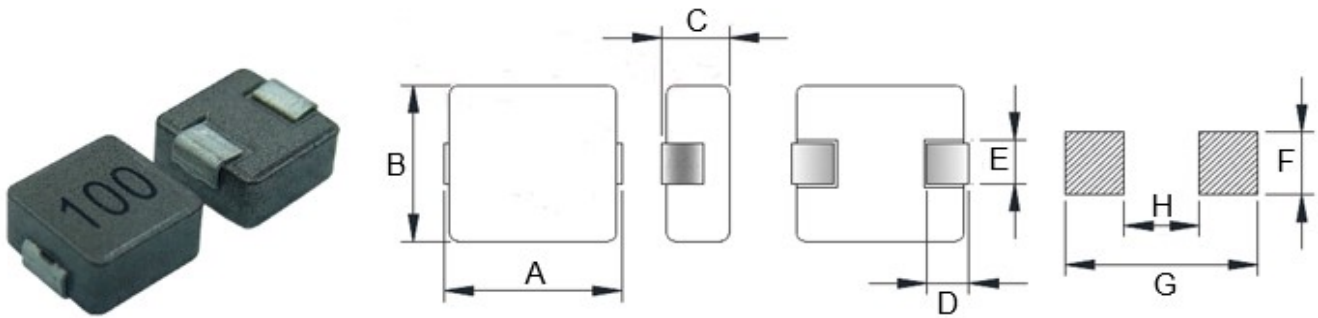
(1) : Type

(2) : Dimensions

(3) : Inductance value

(4) : Inductance Tolerance: N=±30%,M=±20%, K=±10%

## ■ Shapes and Dimensions (Unit: mm)



TYPE	A	B	C Max.	D	E Ref.	F Ref.	G Ref.	H Ref.
YSPI0718	7.3±0.5	6.6±0.5	1.8	1.5±0.5	3.0±0.3	3.4	7.3	3.7

## ■ YSPI0718 Series

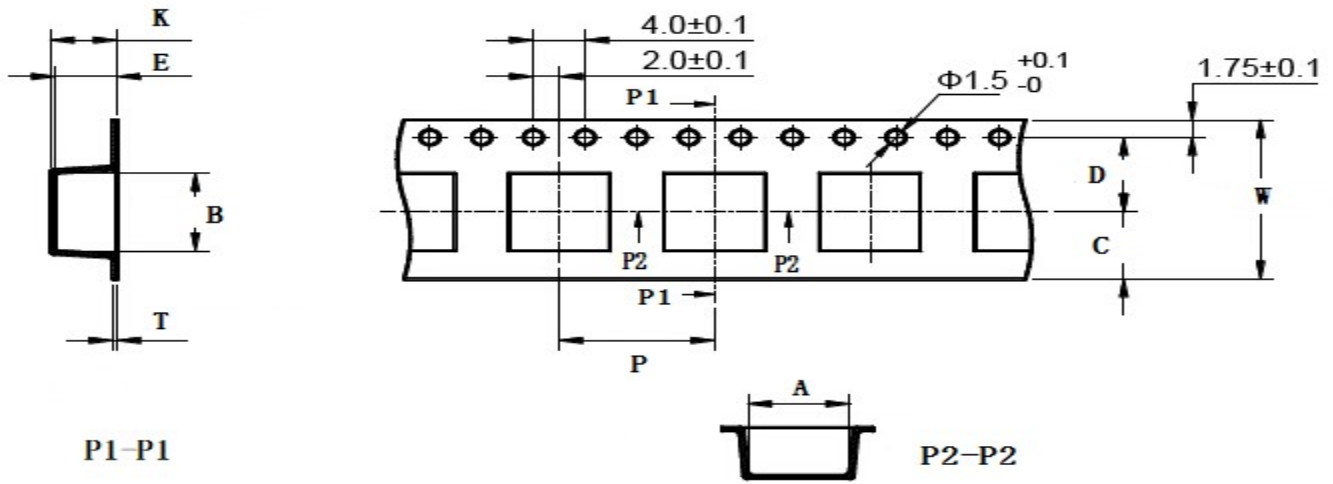
Part Number	Inductance (uH) @100KHz	DC Resistance (mΩ)		Heat Rating Current (A)	Saturation Current (A)
		Typ.	Max.		
YSPI0718-R10□	0.10	2.1	2.5	20.5	33.0
YSPI0718-R22□	0.22	3.2	3.5	22.0	24.0
YSPI0718-R47□	0.47	8.9	10.0	10.0	18.0
YSPI0718-R68□	0.68	11.0	12.0	9.5	17.0
YSPI0718-1R0□	1.00	22.0	30.0	7.0	9.0
YSPI0718-1R5□	1.50	25.8	28.0	5.9	9.0
YSPI0718-2R2□	2.20	41.0	55.0	5.0	7.0
YSPI0718-3R3□	3.30	60.0	68.0	5.0	7.0
YSPI0718-4R7□	4.70	61.5	70.0	4.0	5.0
YSPI0718-6R8□	6.80	101	110	2.9	3.5
YSPI0718-100□	10.0	137	155	2.3	4.0
YSPI0718-220□	22.0	300	350	1.8	2.3

※ The saturation current value is the DC current value having inductance decrease down to 30%. (at 20°C)

※ The temperature rise current value is the DC current value having temperature increase up to 40°C. (at 20°C)

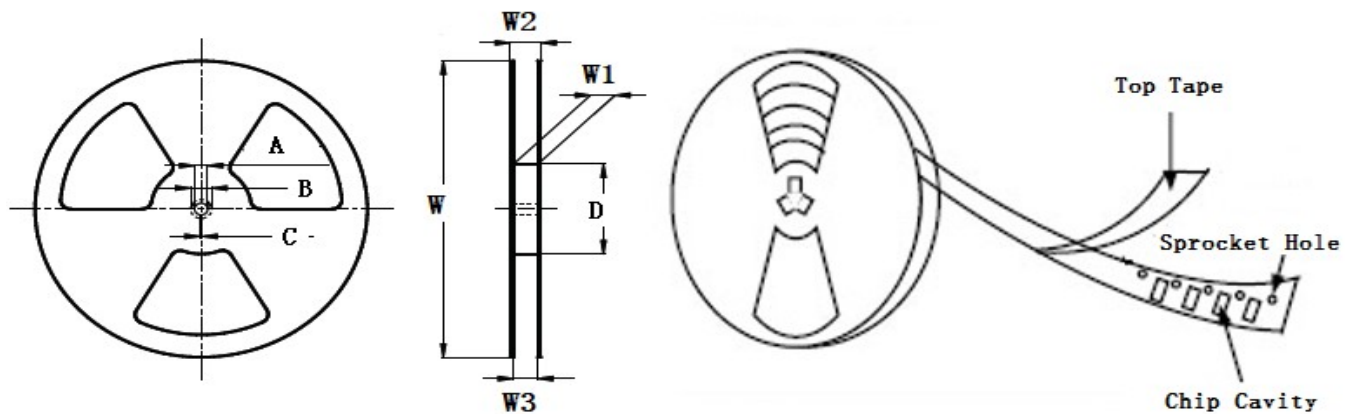
※ The rated current is the DC current value that satisfies both of current value saturation current value and temperature rise current value.

**■ Taping Dimensions(Unit:mm)**



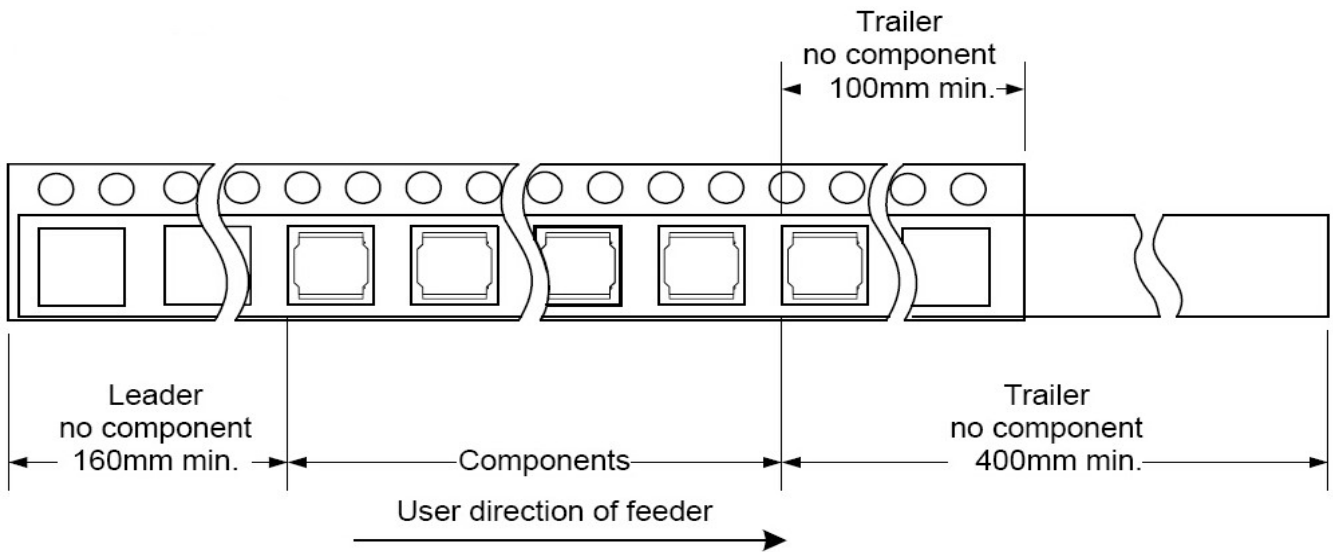
TYPE	W	A	B	C	D	E	P	K Ref	T	MPQ
YSPI0718	16±0.3	7.1±0.1	7.30±0.1	6.75	7.5±0.1	1.9±0.1	12±0.1	2.1	0.40±0.05	2000

**■ Reel Dimensions(Unit:mm)**

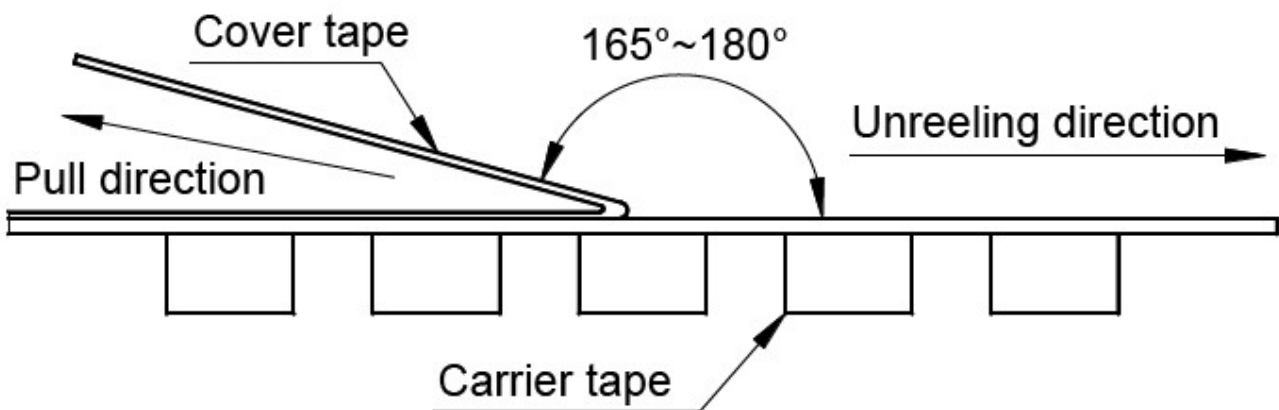


TYPE	W	W1	W2	W3	A	B	C	D
YSPI0718	330±2.0	16.4±2.00	22.4MAX	15.9 Min	13.0±0.50	21.0±0.80	2.0±0.50	100 Min

**Direction of rolling**



**Cover tape peel off condition**



Cover tape peel force shall be 0.1N to 1.3N.

Reference peel speed  $300 \pm 10$ mm/min.