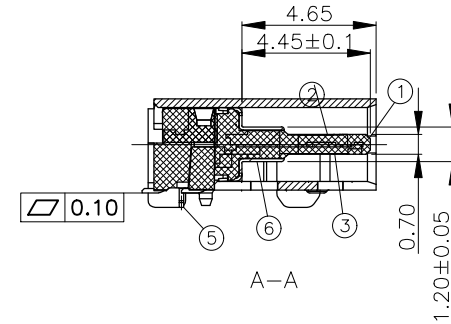
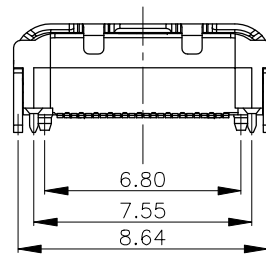
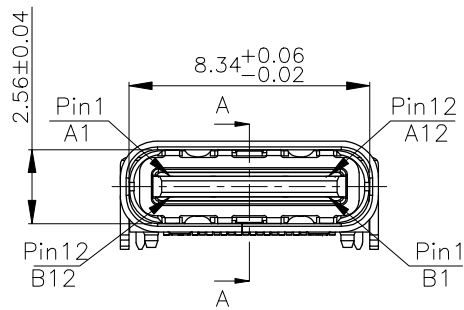
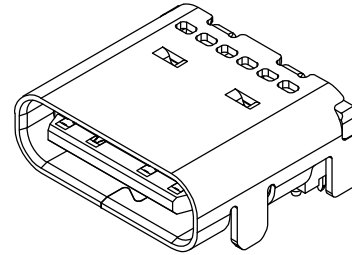
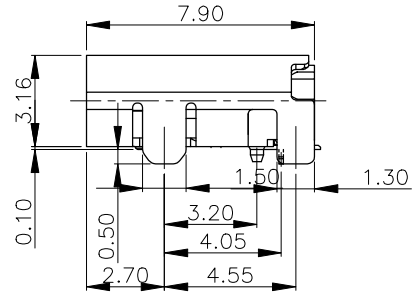
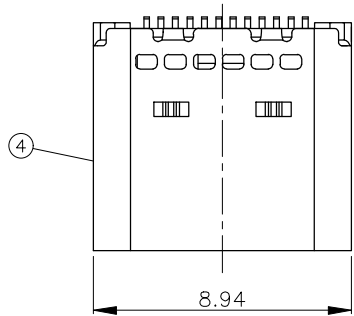




|      |                       |         |      |
|------|-----------------------|---------|------|
| REV. | ECN NO OR DESCRIPTION | REVISED | DATE |
|      |                       |         |      |

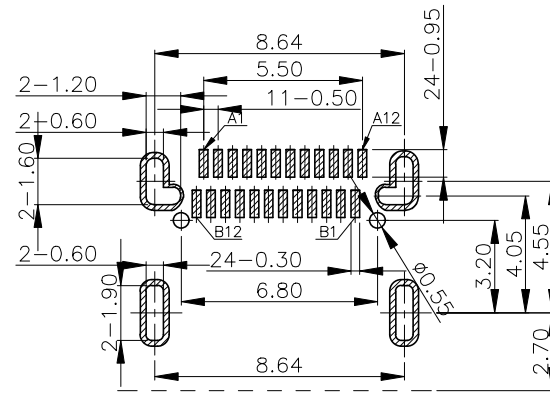
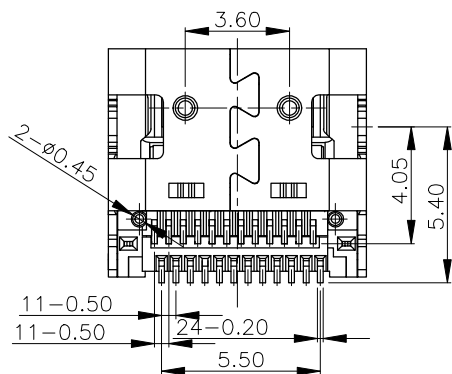
NOTES:

- 1.MECHANICAL PERFORMANCE,
  - 1-1.INSERTION FORCE: 5N~20N.
  - 1-2.REMOVAL FORCE: 5N~20N.
  - 1-3.DURABILITY: 10000 CYCLES.
- 2.ELECTRICAL PERFORMANCE,
  - 2-1. CURRENT RATING: 5.0A  
VOLTAGE RATING: 5.0V
  - 2-2. LLCR: VBUS & GND PINS AND OTHER PINS: 40mΩ/PIN MAX.SHIELD: 50mΩ/MAX.
  - 2-3.INSULATION RESISTANCE: 100MΩ MIN
  - 2-4.DIELECTRIC WITHSTAND VOLTAGE,AC 100V FOR 1 MINUTE.
- 3.ENVIRONMENTAL PERFORMANCE:
  - OPERATING TEMPERATURE: -25°C~+85°C.



PIN ASSIGNMENTS:

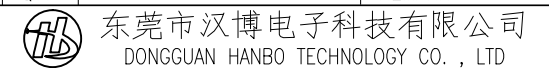
|             |     |      |      |      |      |    |    |      |      |      |      |     |
|-------------|-----|------|------|------|------|----|----|------|------|------|------|-----|
| PIN No.     | A1  | A2   | A3   | A4   | A5   | A6 | A7 | A8   | A9   | A10  | A11  | A12 |
| SIGNAL NAME | GND | TX1+ | TX1- | Vbus | CC1  | D+ | D- | SBU1 | Vbus | RX2- | RX2+ | GND |
| PIN No.     | B12 | B11  | B10  | B9   | B8   | B7 | B6 | B5   | B4   | B3   | B2   | B1  |
| SIGNAL NAME | GND | RX1+ | RX1- | Vbus | SUB2 | D- | D+ | CC2  | Vbus | TX2- | TX2+ | GND |



RECOMMENDED P.C.B. LAYOUT  
TOLERANCE UNSPECIFIED ±0.05mm

|     |                   |       |                                 |  |
|-----|-------------------|-------|---------------------------------|--|
| ⑥   | EMI PLATE         | 1 PCS | STAINLESS STEEL T=0.10          |  |
| ⑥   | MID PLATE         | 1 PCS | STAINLESS STEEL T=0.15          | Soldering Plating: Sn                    |
| ④   | SHELL             | 1 PCS | STAINLESS STEEL T=0.3           | Ni                                       |
| ③   | TERMINAL 2(12Pin) | 1SET  | COPPER ALLOY T=0.15             | Under Plating: Ni<br>Contact Plating: Au |
| ②   | TERMINAL 1(12Pin) | 1SET  | COPPER ALLOY T=0.15             | Soldering Plating: Au                    |
| ①   | HOUSING           | 1 PCS | HIGH TEMP.THERMOPLASTIC UL94V-0 | BLACK                                    |
| NO. | PART NAME         | QTY.  | MATERIAL                        | REMARK                                   |

UNLESS OTHERWISE SPECIFIED TOLERANCES



|               |            |       |                                  |            |              |
|---------------|------------|-------|----------------------------------|------------|--------------|
| DECIMALS:     | ANGLES:    | TITLE | USB Type C 24P 双排SMT母座(有壳)EMI抗干扰 |            |              |
| X. : ±0.20    | X° : ±2°   | DWN   | xiong                            | MC-221D    |              |
| X.X : ±0.15   | X.X° : ±1° | CHKD  | lee                              | SCALE: 1:1 | UNIT: mm     |
| X.XX : ±0.10  |            | APVD  | wang                             | SIZE: A4   | SHEET: 10F 1 |
|               |            |       |                                  |            | REV: A4      |
| CUSTOMER COPY |            |       |                                  |            |              |