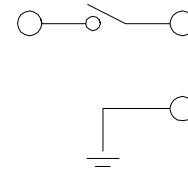
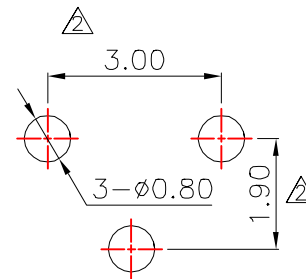
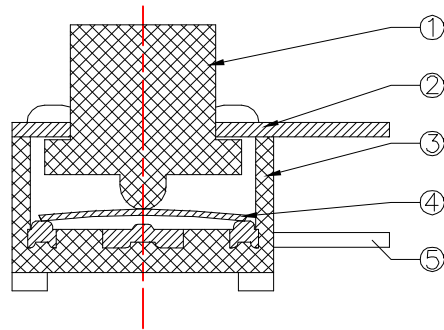
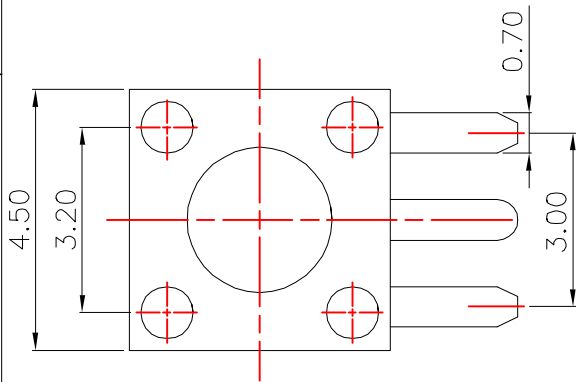




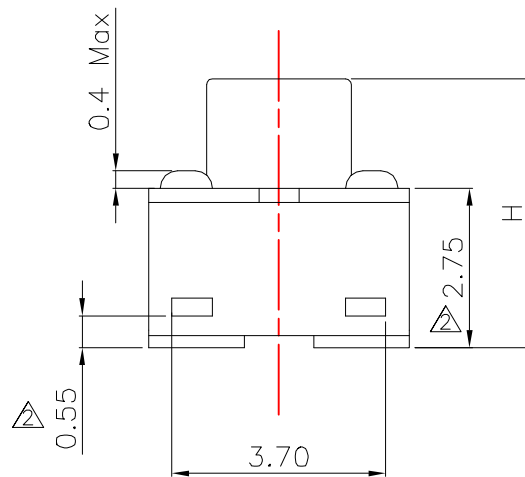
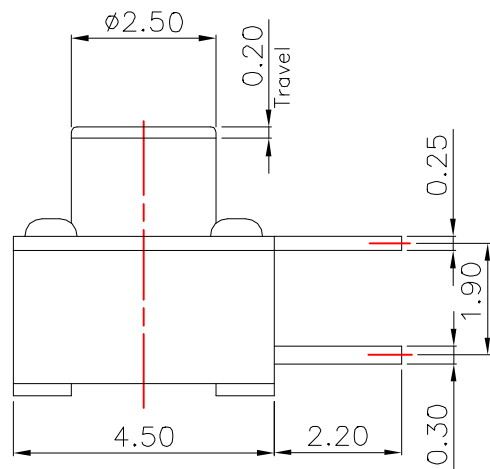
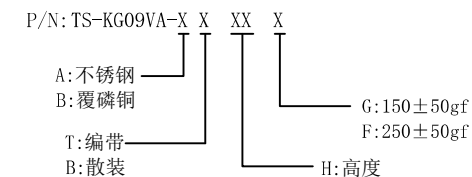
REV.	ECN NO OR DESCRIPTION	REVISED	DATE



Circuit diagram

PCB Lavout(Pattern Side)

product height	
Code	H
38	3.8
43	4.3
45	4.5
50	5.0
55	5.5
60	6.0
65	6.5
70	7.0
75	7.5
80	8.0
85	8.5
90	9.0



ITEM	PART NAME	TER'NO.	QTY.	MATERIAL	FINISHING	REMAP
⑤	Terminal	—	3	Brass(0.30t)	Plating silver	—
④	Contact	—	1	F.Ag/SUS	—	—
③	Base	—	1	PA46	Black	—
②	Cover	—	1	BRASS	Plating silver	—
①	Keystoke	—	1	PA46	Black	—

UNLESS OTHERWISE SPECIFED TOLERANCES

DFCIMALS: 30~以上±0.30  
10~30±0.20  
5~10±0.15  
~5±0.10

ANGLFS: ±2°

东莞市汉博电子科技有限公司  
DONGGUAN HANBO TECHNOLOGY CO., LTD

TITLE	TACT SWITCH			
DWN	xiong	PART NO. TS-KG09VA-XXXXX		
CHKD	lee	SCALE: 1:1	UNIT: mm	
APVD	wang	SIZE: A4	SHEET: 10F 1	REV: A4

CUSTOMER COPY