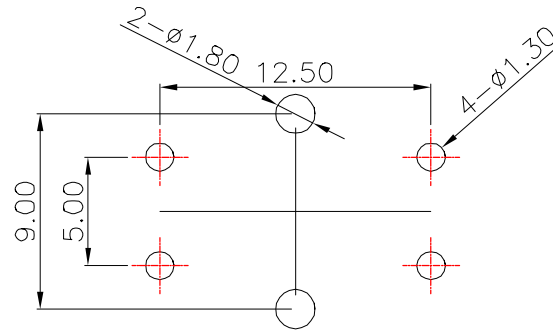
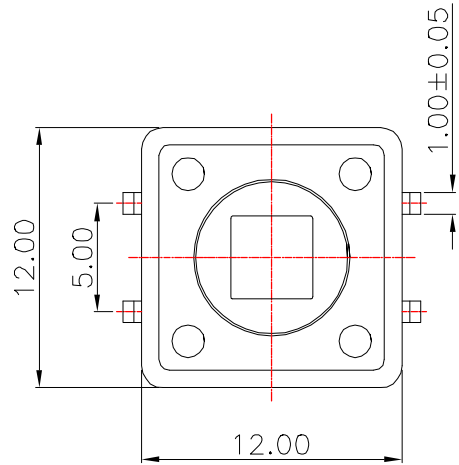
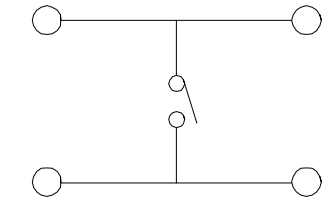




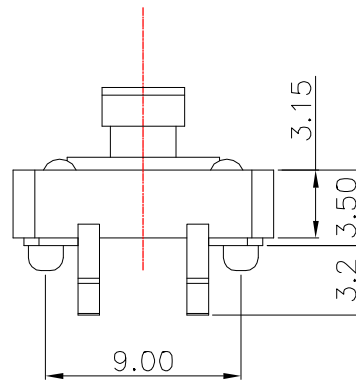
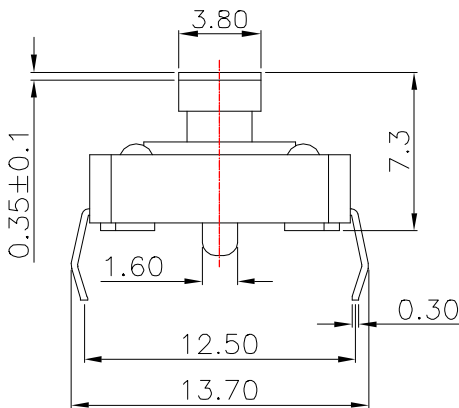
REV.	ECN NO OR DESCRIPTION	REVISED	DATE



PCB Layout(Pattern side)



Circuit Diagram



P/N: TS-KG03T-X X XX X
 A: 不锈钢
 B: 覆磷铜
 T: 编带
 B: 散装
 G: 150 ± 50gf
 F: 250 ± 50gf
 H: 高度

⑤	Terminal	—	4	Brass(0.3t)	Plating silver	—
④	Contact	—	1	F.Ag/C5210	—	—
③	Base	—	1	Nylon	Black	UL94V-0
②	Cover	—	1	SPCC/Brass	Plating Sn	—
①	Keystoke	—	1	Nylon	Black	UL94V-0
ITFM	PART NAME	TFP'NO	QTY	MATERIAL	FINISHING	PFMAP

UNLESS OTHERWISE SPECIFIED TOLERANCES

DFCIMALS: 30~以上 ± 0.30
 10~30 ± 0.20
 5~10 ± 0.15
 ~5 ± 0.10

ANGLFS: ± 2'



东莞市汉博电子科技有限公司
 DONGGUAN HANBO TECHNOLOGY CO., LTD

TITLE	TACT SWITCH			
DWN	xiong	PART NO. TS-KG03T-XXXXX		
CHKD	lee	SCALE: 1:1	UNIT: mm	
APVD	wang	SIZE: A4	SHEET: 1 OF 1	REV: A4

CUSTOMER COPY