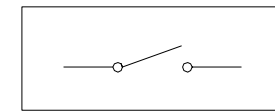
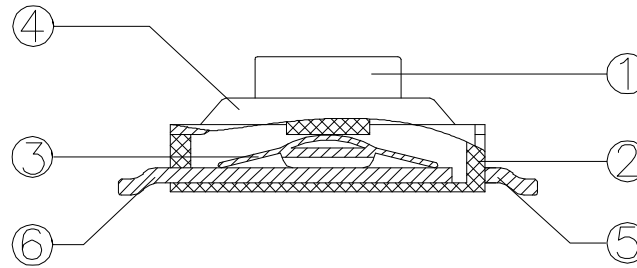
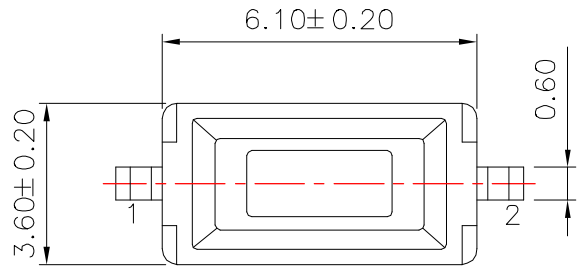
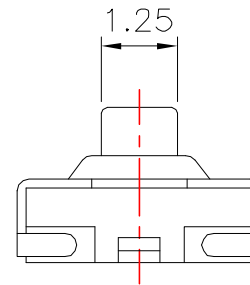
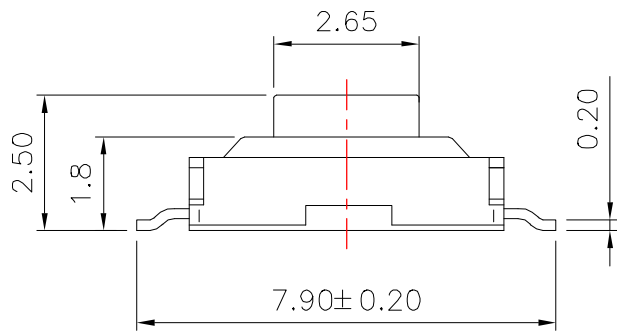




5		6	
REV.	ECN NO OR DESCRIPTION	REVISED	DATE



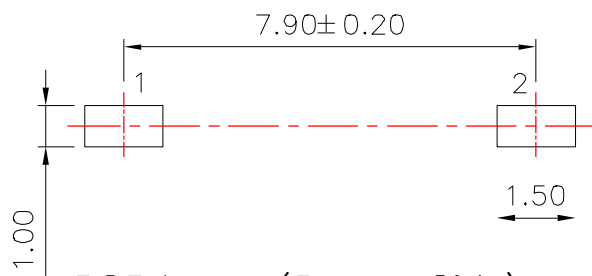
Circuit Diagram



P/N: TS-KG07S-X X XX X

A: 不锈钢  
 B: 覆磷铜  
 T: 编带  
 B: 散装

G: 150±50gf  
 F: 250±50gf  
 H: 高度



PCB Layout(Pattern Side)

⑥	TERMINAL 2	—	1	Brass(0.20t)	Ag-PLATED	———
⑤	TERMINAL 1	—	1	Brass(0.20t)	Ag-PLATED	———
④	Cover	—	1	Sheet Iron	Plating Nickel	———
③	Contact	—	1	Stainless Steel	Ag-PLATED	———
②	Base	—	1	NYLON	Black	———
①	Keystoke	—	1	NYLON	White	———
ITFM	PART NAME	ΓP'NO	QTY	MATRIAL	FINISHING	PFMARK

UNLESS OTHERWISE SPECIFIED TOLERANCES

DECIMALS: 30~以上±0.30  
 10~30±0.20  
 5~10±0.15  
 ~5±0.10

ANGLES: ±2°



东莞市汉博电子科技有限公司  
 DONGGUAN HANBO TECHNOLOGY CO., LTD

TITLE		TACT SWITCH		
DWN	xiong	PART NO. TS-KG07S-XXXXX		
CHKD	lee	SCALE: 1:1	UNIT: mm	
APVD	wang	SIZE: A4	SHEET: 10F 1	REV: A4

CUSTOMER COPY