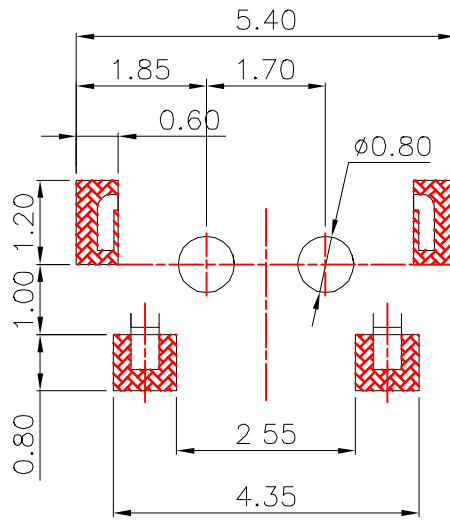
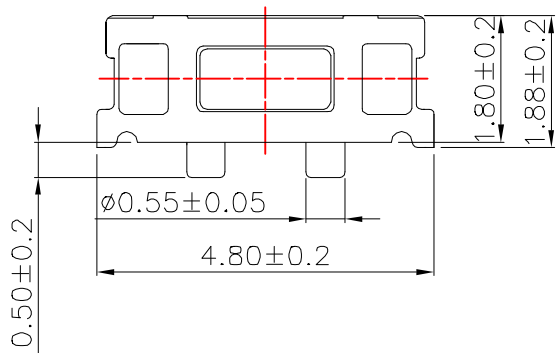
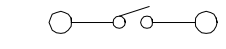




REV.	ECN NO OR DESCRIPTION	REVISED	DATE

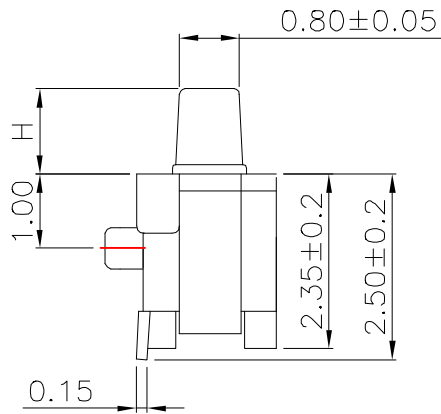
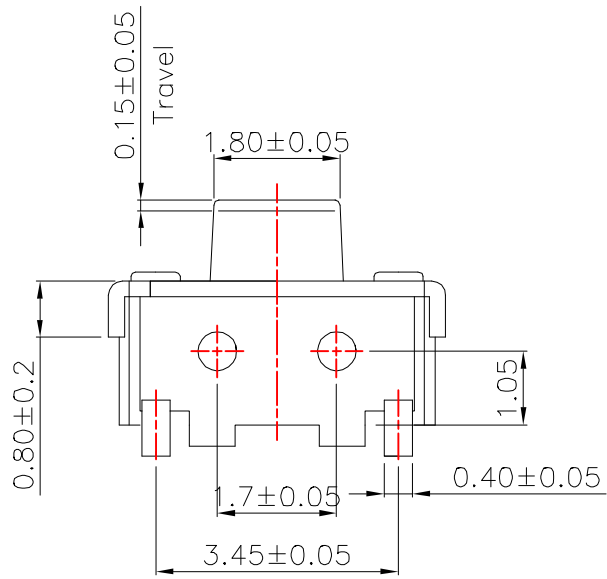


PCB Layout (Pattern side)



Circuit Diagram

product height	
Code	H
12	1.2
09	0.9
15	1.5



P/N: TS-KG86E-X X X XX X

A-不锈钢
 B-覆磷铜
 T-编带
 B-散装
 C-带柱
 R-不带柱

G-150±50gf
 F-250±50gf
 H-高度

ITEM	PART NAME	TER'NO.	QTY.	MATERIAL	FINISHING	REMARK
⑤	Terminal	—	2	Phosphor Bronze	Plating silver	—
④	Contact	—	2	SUS	Natural	—
③	Base	—	1	LCP	White	—
②	Cover	—	1	Brass	Plating silver	—
①	Knob	—	1	PA46	Black	—

UNLESS OTHERWISE SPECIFIED TOLERANCES

DFCIMALS: 30~以上±0.30
 10~30±0.20
 5~10±0.15
 ~5±0.10

ANGLFS: ±2'

东莞市汉博电子科技有限公司
 DONGGUAN HANBO TECHNOLOGY CO., LTD

TITLE	TACT SWITCH		
DWN	xiong	PART NO. TS-KG86E-XXXXXX	
CHKD	lee	SCALE: 1:1	UNIT: mm
APVD	wang	SIZE: A4	SHEET: 10F 1
REV: A4			

CUSTOMER COPY