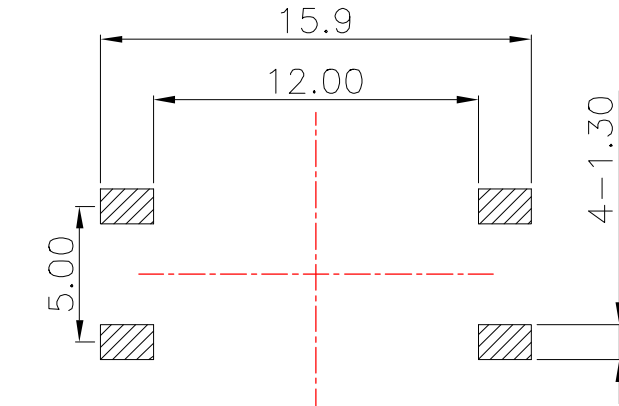
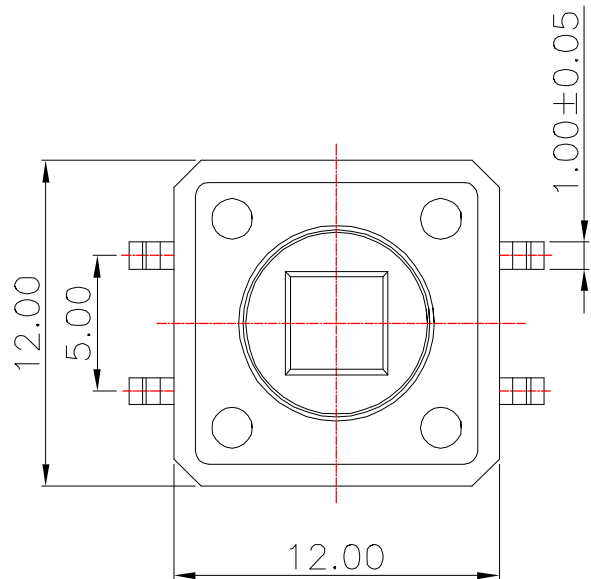
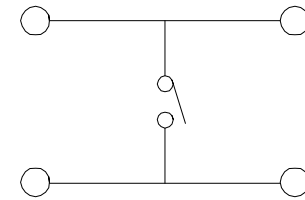




5		6	
REV.	ECN NO OR DESCRIPTION	REVISED	DATE

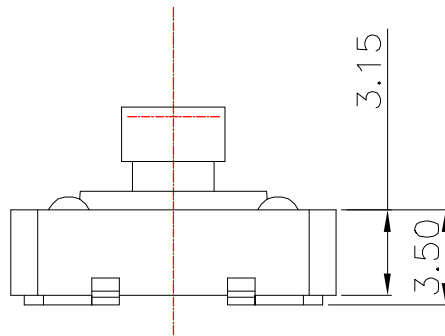
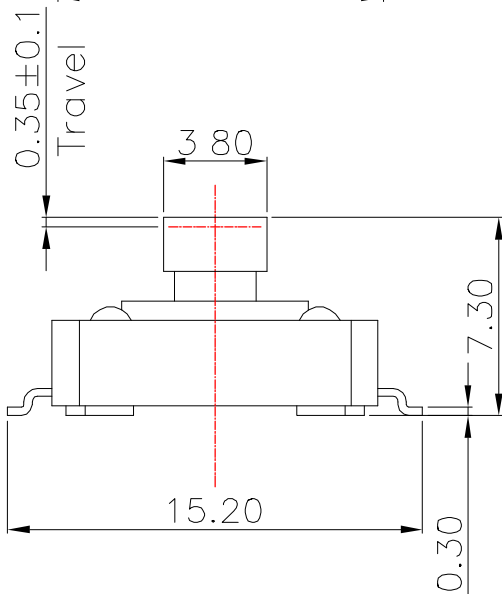


PCB Layout (Pattern side)



Circuit Diagram

- Typical Specifications :
1. Rating : DC 12V 50mA
 2. Life: 100,000 Cycles Min.



P/N: TS-KG03ST-X X XX X

A: 不锈钢
B: 覆磷铜
T: 编带
B: 散装

G: 150 ± 50gf
F: 250 ± 50gf
H: 高度

⑤	Terminal	—	4	Brass(0.3t)	Plating silver	—
④	Contact	—	1	F.Ag/C5210	—	—
③	Base	—	1	Nylon	Black	UL94V-0
②	Cover	—	1	SPCC	Plating Sn	—
①	Keystoke	—	1	Nylon	Black	UL94V-0
ITFM	PART NAME	GP'NO	QTY	MATERIAL	FINISHING	PGMAP

UNLESS OTHERWISE SPECIFIED TOLERANCES

DECIMALS: 30~以上 ± 0.30
10~30 ± 0.20
5~10 ± 0.15
~5 ± 0.10

ANGLES: ± 2°

东莞市汉博电子科技有限公司
DONGGUAN HANBO TECHNOLOGY CO., LTD

TITLE		TACT SWITCH		
DWN	xiong	PART NO.	TS-KG03ST-XXXXXX	
CHKD	lee	SCALE: 1:1	UNIT: mm	
APVD	wang	SIZE: A4	SHEET: 10F 1	REV: A4

CUSTOMER COPY