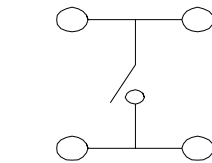
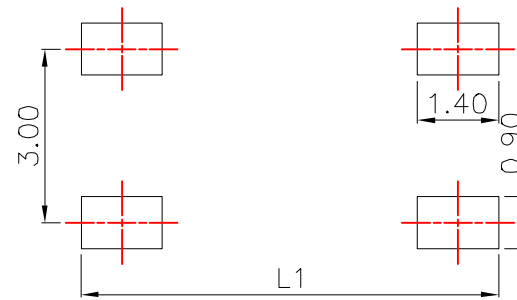
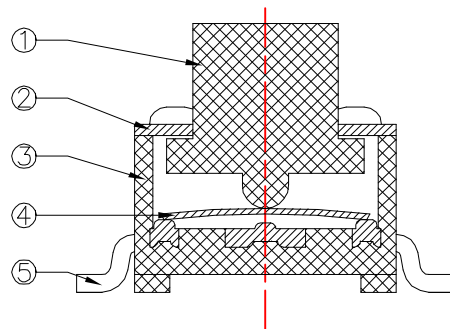
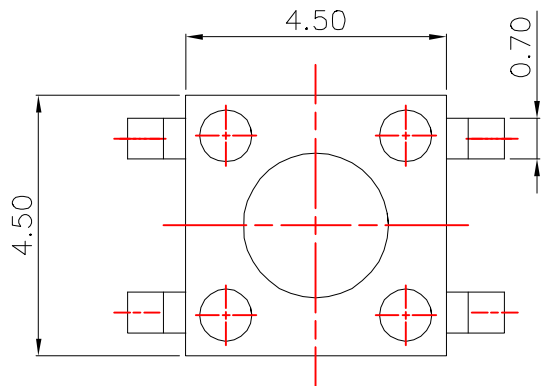




REV.	ECN NO OR DESCRIPTION	REVISED	DATE



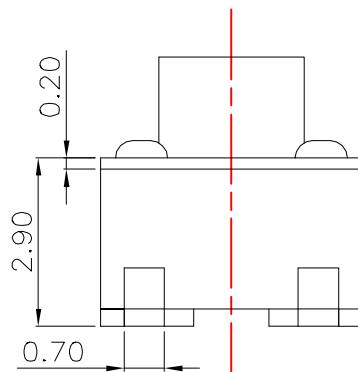
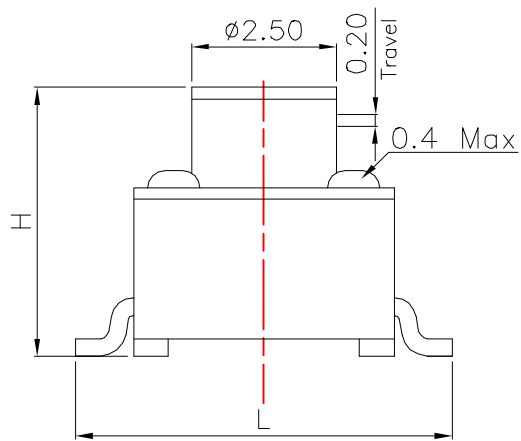
Circuit diagram

PCB Layout(Pattern Side)

product height

Code	H
38	3.8
45	4.5
48	4.8
50	5.0
55	5.5
60	6.0
65	6.5
70	7.0
75	7.5
80	8.0
85	8.5
90	9.0
100	10.0

P/N: TS-KG09S-X X XX X
 A: 不锈钢
 B: 覆磷铜
 T: 编带
 B: 散装
 G: 150±50gf
 F: 250±50gf
 H: 高度



ITEM	PART NAME	ER'NO.	QTY.	MATERIAL	FINISHING	REMARK
⑤	Terminal	—	4	Brass(0.30t)	Plating silver	—
④	Contact	—	1	F.Ag/SUS	—	—
③	Base	—	1	PA46	Black	—
②	Cover	—	1	SUS	—	—
①	Keystoke	—	1	PA46	Black	—

UNLESS OTHERWISE SPECIFIED TOLERANCES

DECIMALS: 30~以上±0.30
 10~30±0.20
 5~10±0.15
 ~5±0.10

ANGLES: ±2°

东莞市汉博电子科技有限公司
 DONGGUAN HANBO TECHNOLOGY CO., LTD

TITLE	TACT SWITCH		
DWN	xiong	PART NO. TS-KG09S-XXXXX	
CHKD	lee	SCALE:1:1	UNIT: mm
APVD	wang	SIZE: A4	SHEET:1OF 1
REV: A4			

CUSTOMER COPY