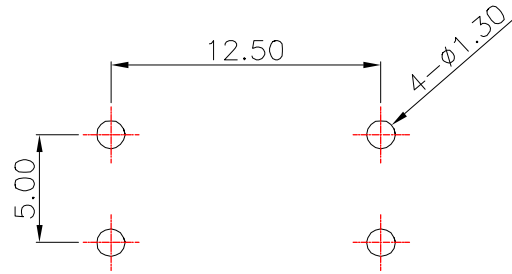
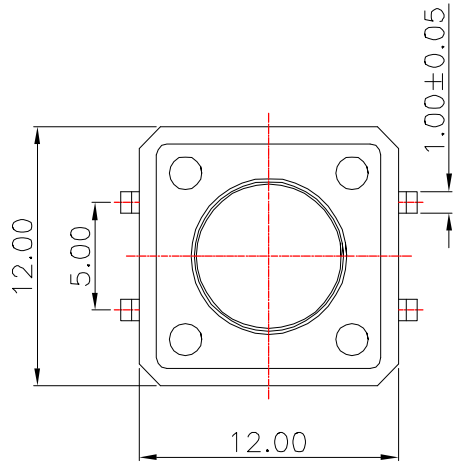


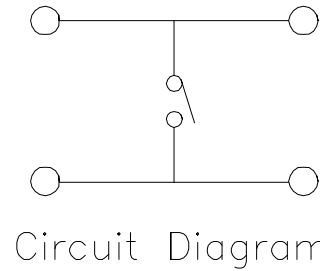
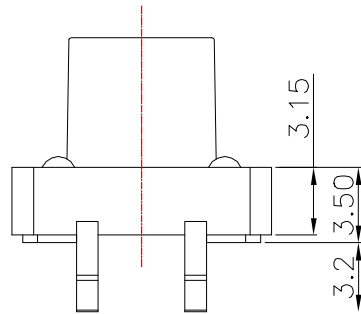
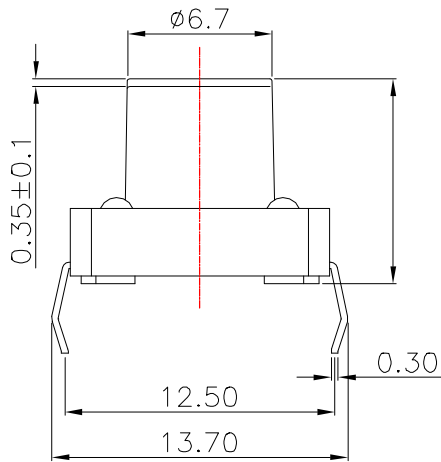


REV.	ECN NO OR DESCRIPTION	REVISED	DATE



PCB Layout(Pattern side)

product height			
Code	H	Code	H
43	4.3	110	11.0
45	4.5	115	11.5
50	5.0	120	12.0
55	5.5	125	12.5
60	6.0	130	13.0
65	6.5	135	13.5
70	7.0	140	14.0
75	7.5	150	15.0
80	8.0	160	16.0
85	8.5	170	17.0
90	9.0	180	18.0
95	9.5		
100	10.0		
105	10.5		



Circuit Diagram

P/N:TS-KG1103-X XX X
 A: 不锈钢
 B: 覆磷铜
 T: 编带
 B: 散装
 G: 150 ± 50gf
 F: 250 ± 50gf
 H: 高度

ITEM	PART NAME	ER'NO..	QTY..	MATERIAL	FINISHING	REMAP
⑤	Terminal	—	4	Brass(0.3t)	Plating silver	—
④	Contact	—	1	F.Ag/C5210	—	—
③	Base	—	1	Nylon	Black	UL94V-0
②	Cover	—	1	SPCC/Brass	Plating Sn	—
①	Keystoke	—	1	Nylon	Black	UL94V-0

UNLESS OTHERWISE SPECIFIED TOLERANCES

DFCIMALS: 30~以上 ± 0.30
 10~30 ± 0.20
 5~10 ± 0.15
 ~5 ± 0.10

ANGLFS: : ± 2°

TITLE: TACT SWITCH

DWN xiong PART NO. TS-KG1103-XXXXX

CHKD lee SCALE: 1:1 UNIT: mm

APVD wang SIZE: A4 SHEET: 10 OF 1 REV: A4

CUSTOMER COPY

东莞市汉博电子科技有限公司
 DONGGUAN HANBO TECHNOLOGY CO., LTD