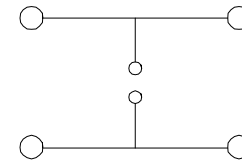
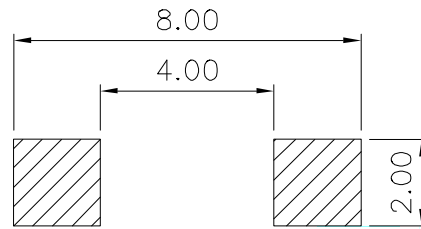
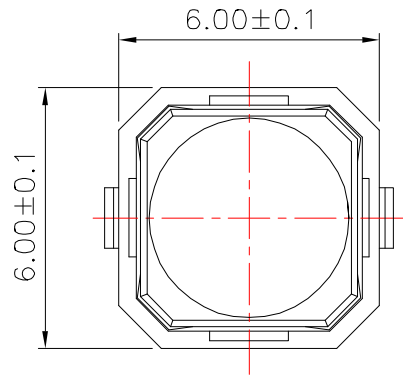




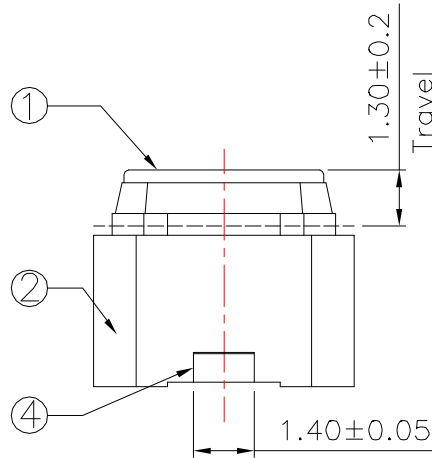
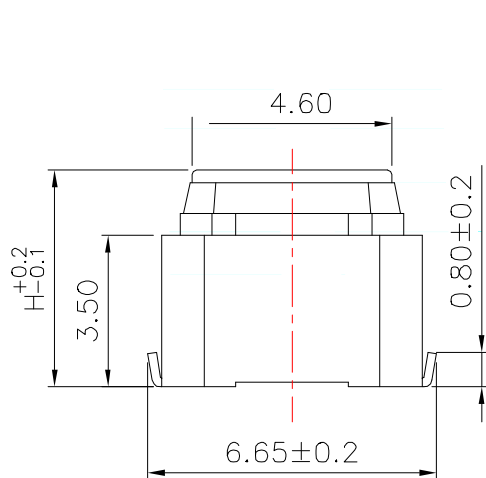
REV.	ECN NO OR DESCRIPTION	REVISED	DATE

Typical Specifications :
 1. Rating : DC 12V 50mA
 2. Life:100,000 Cycles Min.



Circuit Diagram

product height	
Code	H
43	4.3
50	5.0



P/N:TS-KG097A-X X XX X
 A: 不锈钢
 B: 覆磷铜
 T: 编带
 B: 散装
 G: 150±50gf
 F: 250±50gf
 H: 高度

⑤	Waterproof Silicone	—	1	Silica gel	—	—
④	Terminal	—	2	Phosphor Bronze	Plating silver	—
③	Contact	—	1	Phosphor Bronze	Ag Clad	—
②	Base	—	1	LCP	Black	—
①	Keystoke	—	1	LCP	Black	—
ITEM	PART NAME	TER'NO.	QTY.	MATERIAL	FINISHING	REMAP

UNLESS OTHERWISE SPECIFIED TOLERANCES

DFCIMALS: 30~以上±0.30
 10~30±0.20
 5~10±0.15
 ~5±0.10



东莞市汉博电子科技有限公司
 DONGGUAN HANBO TECHNOLOGY CO., LTD

TITLE		TACT SWITCH		
DWN	xiong	PART NO. TS-KG097A-XXXXX		
CHKD	lee	SCALE:1:1	UNIT: mm	
APVD	wang	SIZE: A4	SHEET:1OF 1	REV: A4

CUSTOMER COPY