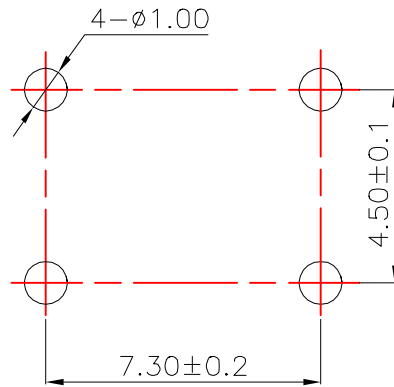
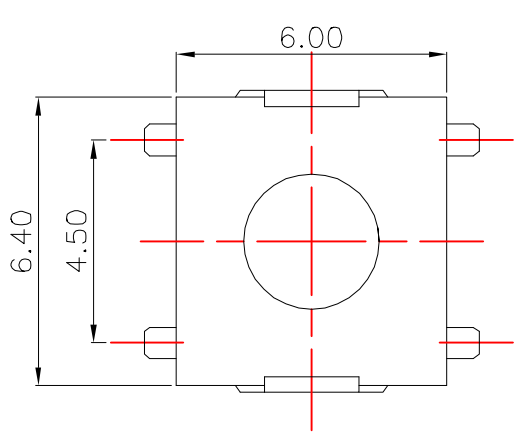
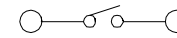




REV.	ECN NO OR DESCRIPTION	REVISED	DATE



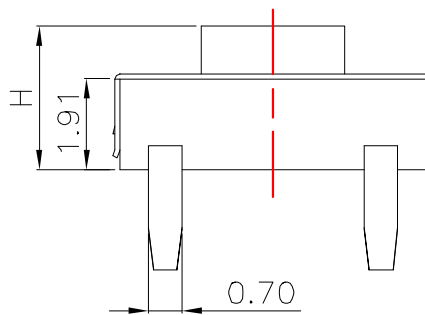
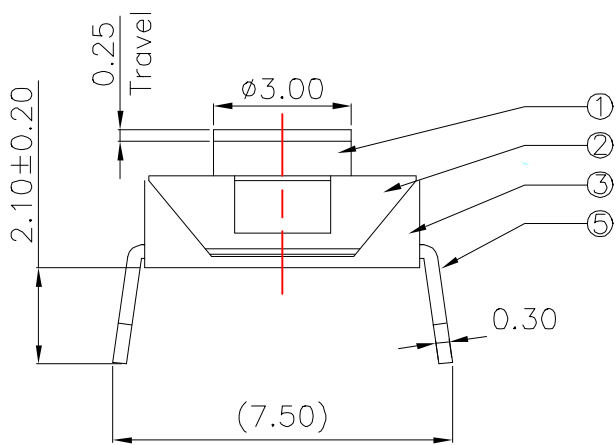
PCB Layout(Pattern side)



Circuit Diagram

product height	
Code	H
25	2.5
27	2.7
31	3.1
34	3.4
35	3.5
40	4.0
43	4.3
45	4.5
50	5.0

P/N: TS-KG057-X X XX X
 A: 不锈钢
 B: 覆磷铜
 T: 编带
 B: 散装
 G: 150 ± 50gf
 F: 250 ± 50gf
 H: 高度



ITEM	PART NAME	TER'NO.	QTY.	MATERIAL	FINISHING	REMAP
⑤	Terminal	—	4	Copper	Plating silver	—
④	Contact	—	1	F.Ag/C5210	Natural	—
③	Base	—	1	Nylon	Black	—
②	Cover	—	1	SUS(0.15t)	Plating Nickel	—
①	Keystoke	—	1	Nylon	Red	—

UNLESS OTHERWISE SPECIFIED TOLERANCES

DECIMALS: 30~以上 ± 0.30
 10~30 ± 0.20
 5~10 ± 0.15
 ~5 ± 0.10



东莞市汉博电子科技有限公司
 DONGGUAN HANBO TECHNOLOGY CO., LTD

TITLE	TACT SWITCH		
DWN	xiong	PART NO. TS-KG057-XXXXX	
CHKD	lee	SCALE: 1:1	UNIT: mm
APVD	wang	SIZE: A4	SHEET: 10F 1
			REV: A4

CUSTOMER COPY