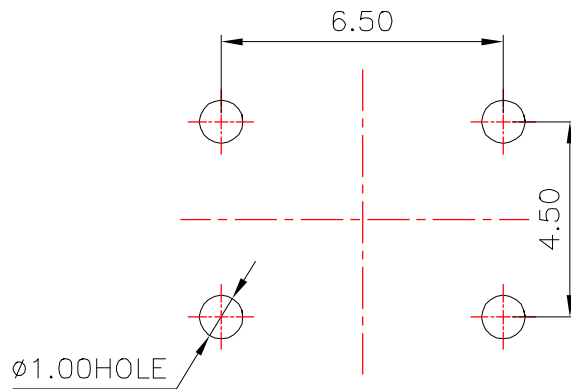
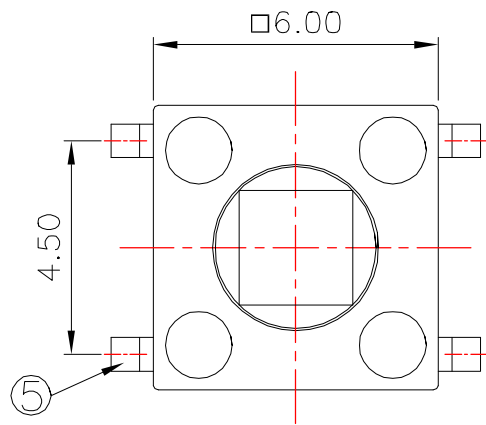
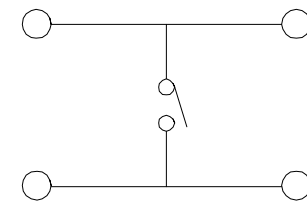




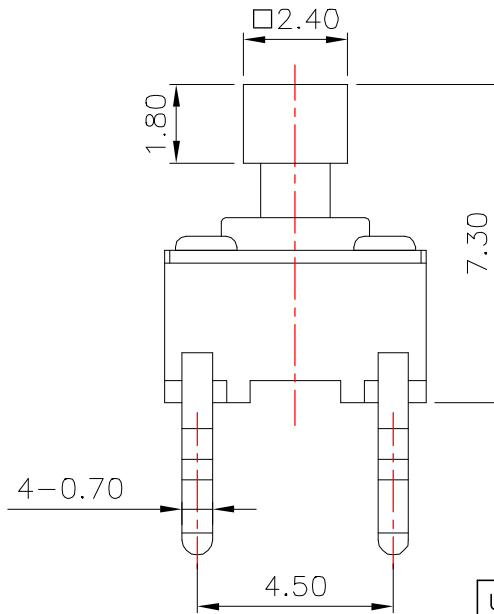
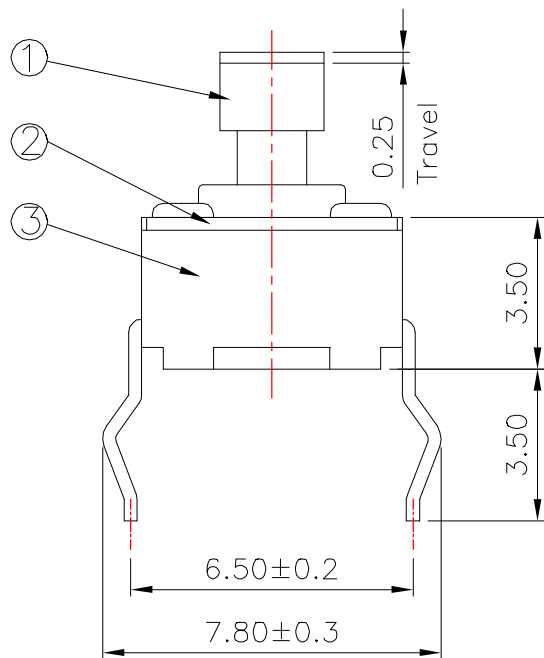
REV.	ECN NO OR DESCRIPTION	REVISED	DATE



PCB Layout(Pattern side)



Circuit Diagram



P/N: TS-KG02T-X X XX X

- A: 不锈钢
- B: 覆磷铜
- T: 编带
- B: 散装
- G: 150±50gf
- F: 250±50gf
- H: 高度

ITEM	PART NAME	TER'NQ	QTY.	MATERIAL	FINISHING	REMAP
5	Terminal	—	4	Brass(0.30t)	Plating silver	—
4	Contact	—	1	F.Ag/SUS	—	—
3	Base	—	1	Nylon	Black	—
2	Cover	—	1	SPCC	Plating Nickel	—
1	Keystone	—	1	Nylon	Black	—

UNLESS OTHERWISE SPECIFIED TOLERANCES

DECIMALS: 30~以上±0.30  
10~30±0.20  
5~10±0.15  
~5±0.10

ANGLES: :±2°

东莞市汉博电子科技有限公司  
DONGGUAN HANBO TECHNOLOGY CO., LTD

TITLE	TACT SWITCH			
DWN	xiong	PART NO.	TS-KG02T-XXXXX	
CHKD	lee	SCALE: 1:1	UNIT: mm	
APVD	wang	SIZE: A4	SHEET: 10F 1	REV: A4
CUSTOMER COPY				