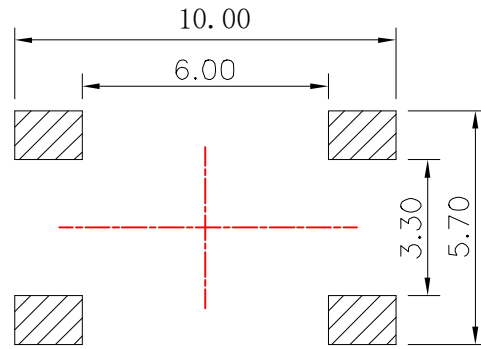
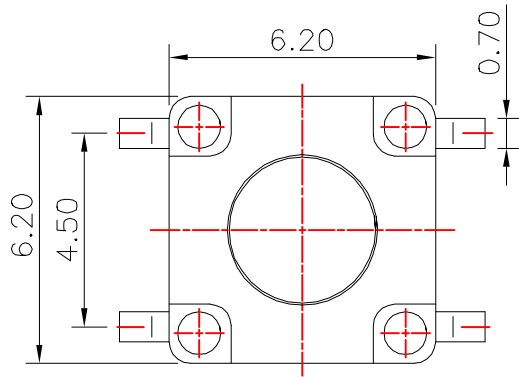
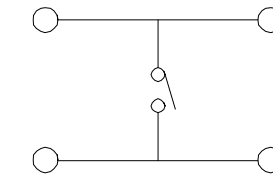




REV.	ECN NO OR DESCRIPTION	REVISED	DATE

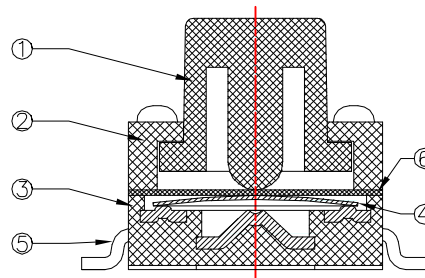


PCB Layout(Pattern side)

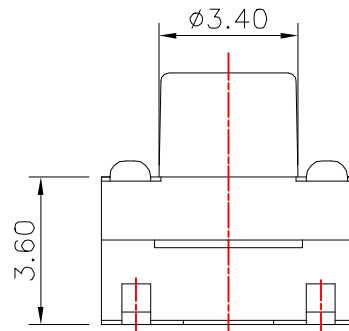
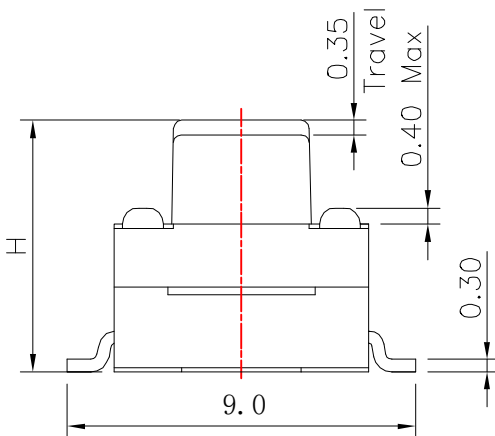


Circuit Diagram

product height			
Code	H	Code	H
43	4.3	110	11.0
45	4.5	115	11.5
50	5.0	120	12.0
55	5.5	125	12.5
60	6.0	130	13.0
65	6.5	135	13.5
70	7.0	140	14.0
75	7.5	150	15.0
80	8.0	160	16.0
85	8.5	170	17.0
90	9.0	180	18.0
95	9.5		
100	10.0		
105	10.5		



P/N: TS-KG10GS-X X XX X
 A: 不锈钢
 B: 覆磷铜
 T: 编带
 B: 散装
 G: 150±50gf
 F: 250±50gf
 H: 高度



NOTE:Waterproof:IEC IP66

ITEM	PART NAME	TER'NO.	QTY.	MATERIAL	FINISHING	REMAP
⑥	Waterproof Silicone	—	1	Silica gel	Yellow	—
⑤	Terminal	—	4	Brass(O.3t)	Plating silver	—
④	Contact	—	1	F.Ag/C5210	Natural	—
③	Base	—	1	Nylon	Black	—
②	Cover	—	1	Nylon	Black	—
①	Keystoke	—	1	Nylon	Black	—

UNLESS OTHERWISE SPECIFIED TOLERANCES

DFCIMALS: 30~以上±0.30
 10~30±0.20
 5~10±0.15
 ~5±0.10

TITLE		TACT SWITCH		
DWN	xiong	PART NO.	TS-KG10GS-XXXXX	
CHKD	lee	SCALE:1:1	UNIT: mm	
APVD	wang	SIZE: A4	SHEET:10F 1	REV: A4

东莞市汉博电子科技有限公司
 DONGGUAN HANBO TECHNOLOGY CO., LTD

CUSTOMER COPY