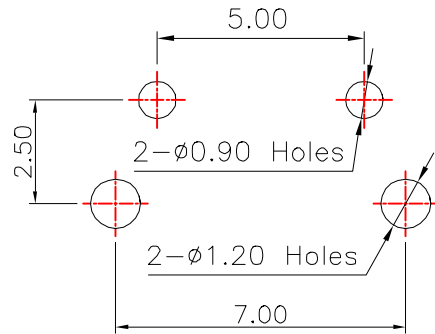
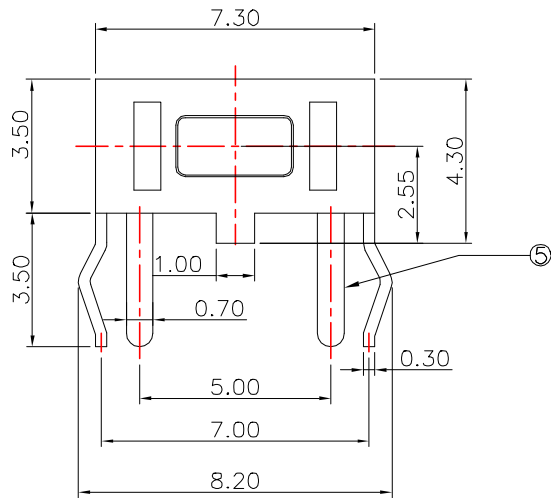
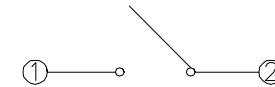




REV.	ECN NO OR DESCRIPTION	REVISED	DATE

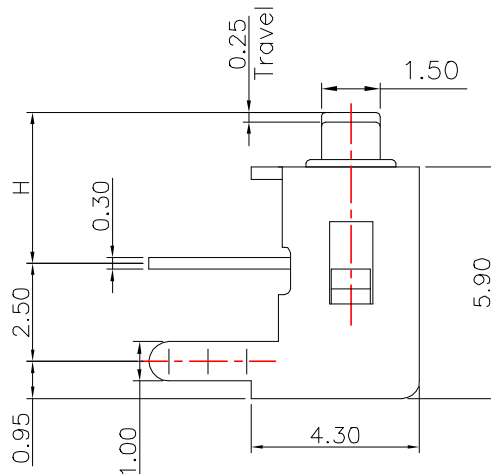
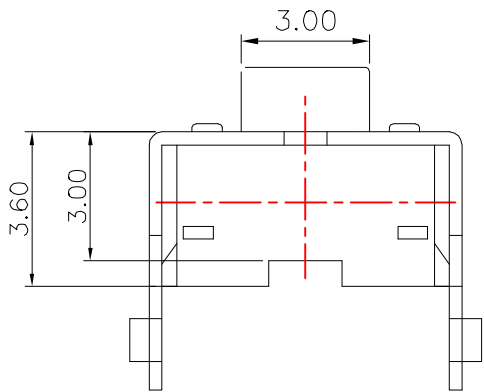


PCB Lavout (Pattern Side)



Circuit Diagram

product height	
Code	H
43	4.3 L=3.15
50	5.0 L=3.85
70	7.0 L=5.85



P/N: TS-KG01V-X X XX X
 A: 不锈钢
 B: 覆磷铜
 T: 编带
 B: 散装
 G: 150±50gf
 F: 250±50gf
 H: 高度

ITEM	PART NAME	TER'NO.	QTY.	MATERIAL	FINISHING	REMAP
⑤	Terminal	—	2	Brass(0.30t)	Plating silver	—
④	Contact	—	1	F.Ag/SUS	Plating silver	—
③	Base	—	1	PA66	Black	—
②	Cover	—	1	SPCC	Plating Nickel	—
①	Keystoke	—	1	PA66	White	—

UNLESS OTHERWISE SPECIFED TOLERANCES

DFCIMALS: 30~以上±0.30
 10~30±0.20
 5~10±0.15
 ~5±0.10

ANGLFS: :±2°



东莞市汉博电子科技有限公司
 DONGGUAN HANBO TECHNOLOGY CO., LTD

TITLE		TACT SWITCH		
DWN	xiong	PART NO.	TS-KG01V-XXXXX	
CHKD	lee	SCALE: 1:1	UNIT: mm	
APVD	wang	SIZE: A4	SHEET: 10F 1	REV: A4

CUSTOMER COPY