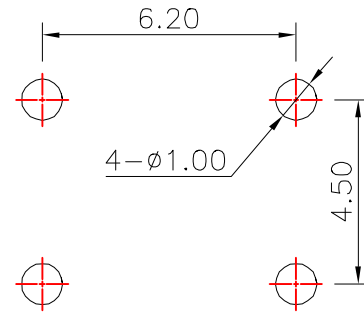
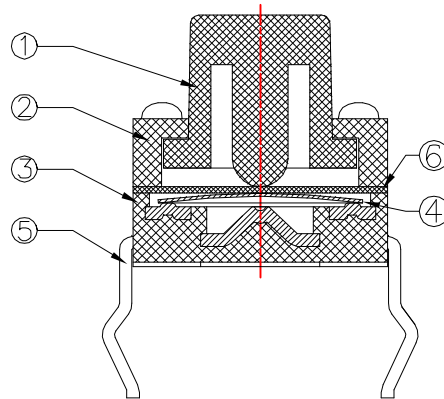
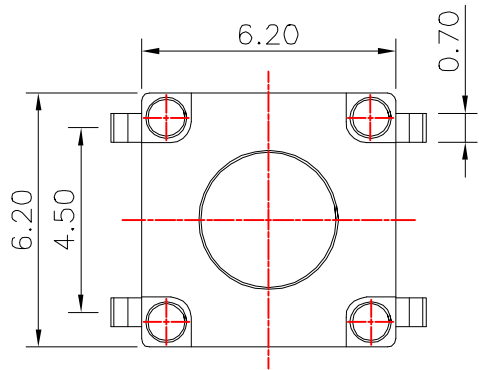


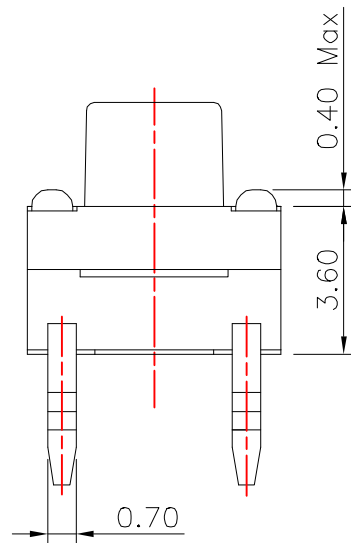
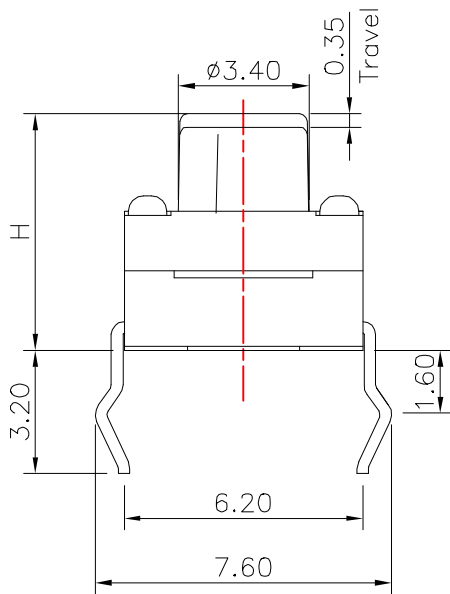


REV.	ECN NO OR DESCRIPTION	REVISED	DATE

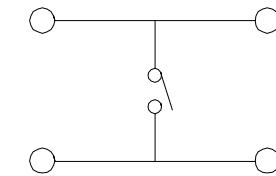


PCB Layout(Pattern side)

product height			
Code	H	Code	H
43	4.3	110	11.0
45	4.5	115	11.5
50	5.0	120	12.0
55	5.5	125	12.5
60	6.0	130	13.0
65	6.5	135	13.5
70	7.0	140	14.0
75	7.5	150	15.0
80	8.0	160	16.0
85	8.5	170	17.0
90	9.0	180	18.0
95	9.5		
100	10.0		
105	10.5		



NOTE:Waterproof:IEC IP66



Circuit Diagram

P/N: TS-KG10G-X X XX X
 A: 不锈钢
 B: 覆磷铜
 A: 编带
 B: 散装
 G: 150±50gf
 F: 250±50gf
 H: 高度

ITEM	PART NAME	TER'NO.	QTY.	MATERIAL	FINISHING	REMARK
⑥	Waterproof Silicone	—	1	Silica gel	—	—
⑤	Terminal	—	4	Brass(0.3t)	Plating silver	—
④	Contact	—	1	F.Ag/C5210	—	—
③	Base	—	1	Nylon	Black	—
②	Cover	—	1	Nylon	—	—
①	Keystoke	—	1	Nylon	Black	—

UNLESS OTHERWISE SPECIFIED TOLERANCES

DECIMALS: 30~以上±0.30
 10~30±0.20
 5~10±0.15
 ~5±0.10

ANGLES: ±2°

东莞市汉博电子科技有限公司
DONGGUAN HANBO TECHNOLOGY CO., LTD

TITLE	TACT SWITCH			
DWN	xiong	PART NO. TS-KG10G-XXXXX		
CHKD	lee	SCALE: 1:1	UNIT: mm	
APVD	wang	SIZE: A4	SHEET: 10F 1	REV: A4

CUSTOMER COPY