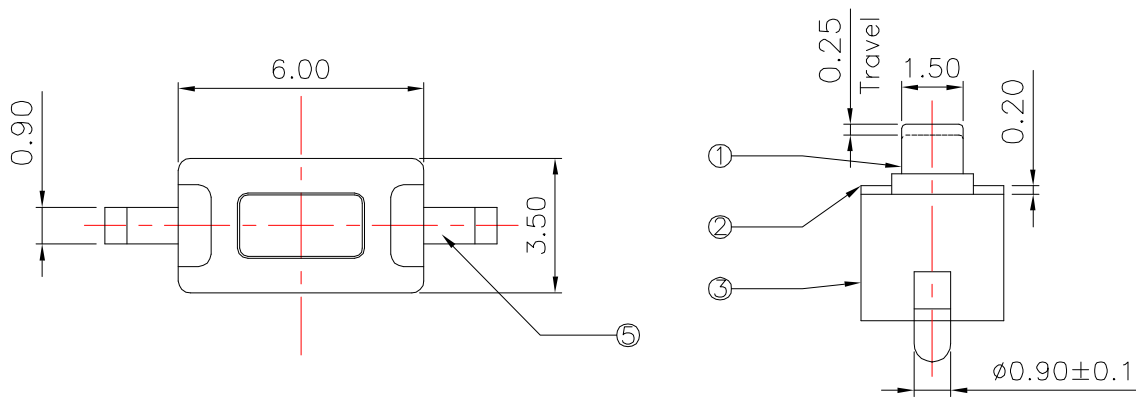
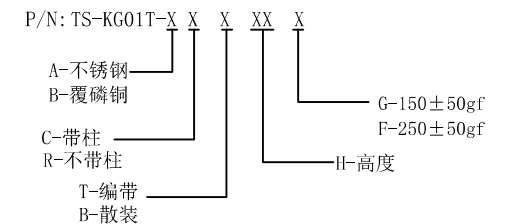
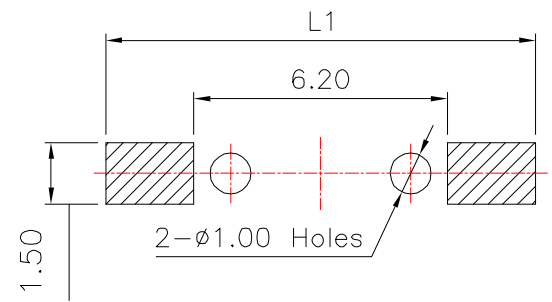
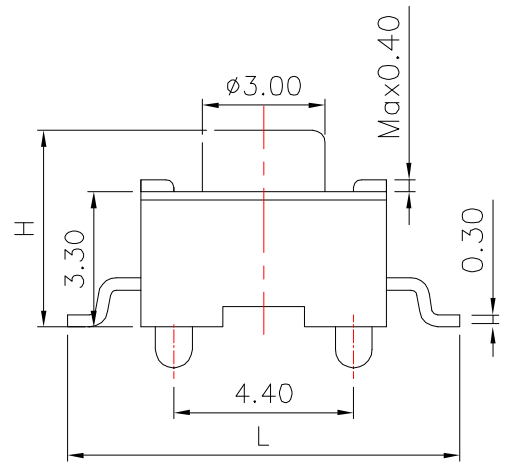
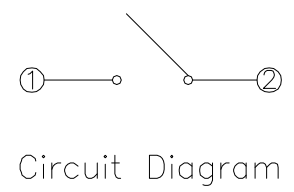
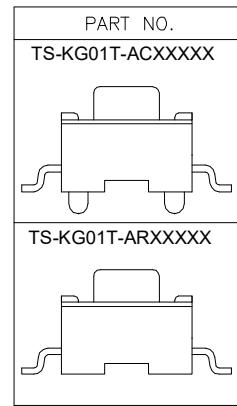




REV.	ECN NO OR DESCRIPTION	REVISED	DATE



product height	
Code	H
43	4.3
45	4.5
50	5.0
70	7.0



ITEM	PART NAME	ER'NO.	QTY.	MATERIAL	FINISHING	REMAP
⑤	Terminal	—	2	Brass(0.30t)	Plating silver	—
④	Contact	—	1	F.Ag/SUS	Plating silver	—
③	Base	—	1	PA66	WHITE	—
②	Cover	—	1	SPCC	Plating Nickel	—
①	Keystoke	—	1	PA66	WHITE	—

UNLESS OTHERWISE SPECIFIED TOLERANCES

DECIMALS: 30~以上 ± 0.30
10~30 ± 0.20
5~10 ± 0.15
~5 ± 0.10

ANGLFS: $\pm 2^\circ$

TITLE: TACT SWITCH

DWN: xiong PART NO. TS-KG01T-XXXXXXX

CHKD: lee SCALE: 1:1 UNIT: mm

APVD: wang SIZE: A4 SHEET: 10F 1 REV: A4

CUSTOMER COPY

东莞市汉博电子科技有限公司
DONGGUAN HANBO TECHNOLOGY CO., LTD

PCB Lavout (Pattern Side)