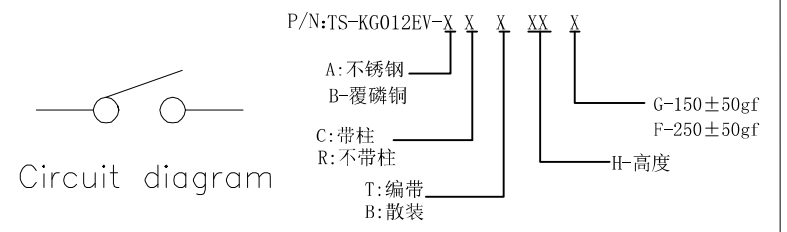
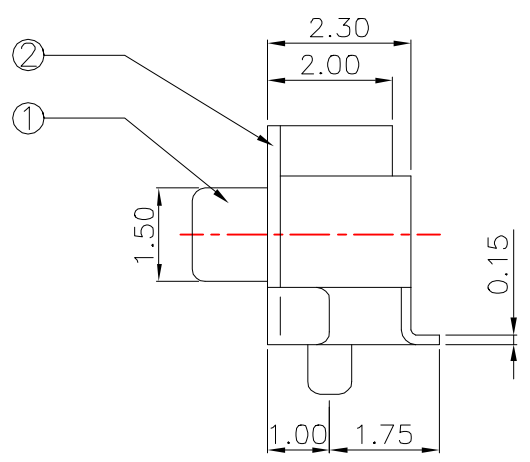
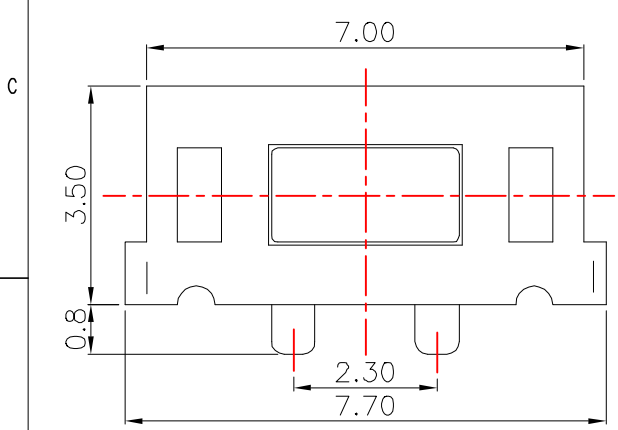
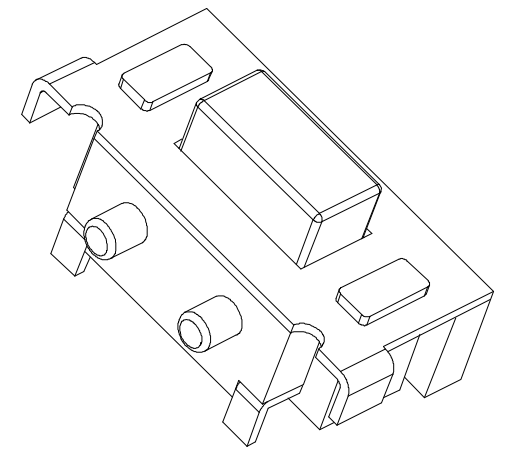
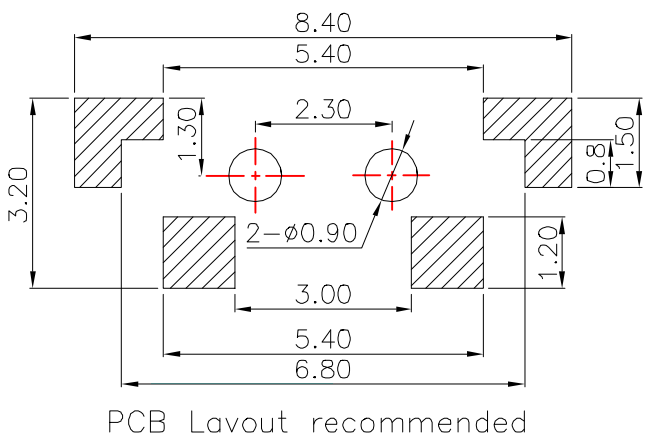
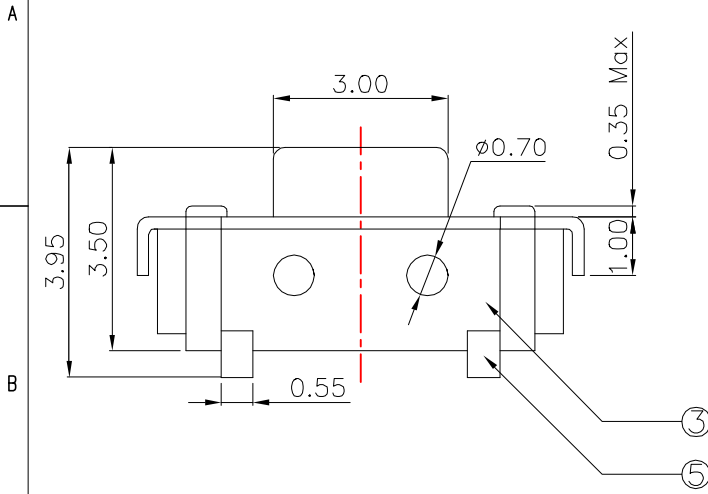




REV.	ECN NO OR DESCRIPTION	REVISED	DATE



⑤	Terminal	—	2	Phosphor Bronze	Plating silver	—
④	Contact	—	2	F.Ag/SUS	Natural	—
③	Base	—	1	LCP	White	—
②	Cover	—	1	Brass(0.20t)	Plating Nickel	—
①	Keystoke	—	1	LCP	Black	—
ITEM	PART NAME	ER'NO.	QTY.	MATERIAL	FINISHING	REMAP

UNLESS OTHERWISE SPECIFIED TOLERANCES		东莞市汉博电子科技有限公司 DONGGUAN HANBO TECHNOLOGY CO., LTD				
DECIMALS:	ANGLES:	TITLE	TACT SWITCH			
30~以上 ± 0.30	: ± 2°	DWN	xiong	PART NO. TS-KG012EV-XXXXXX		
10~30 ± 0.20		CHKD	lee	SCALE: 1:1	UNIT: mm	
5~10 ± 0.15		APVD	wang	SIZE: A4	SHEET: 1 OF 1	REV: A4
~5 ± 0.10		CUSTOMER COPY				