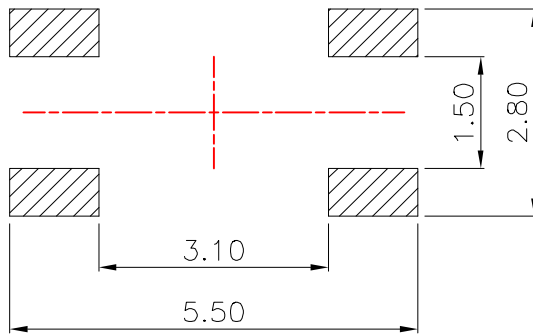


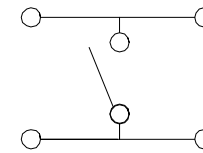


REV.	ECN NO OR DESCRIPTION	REVISED	DATE

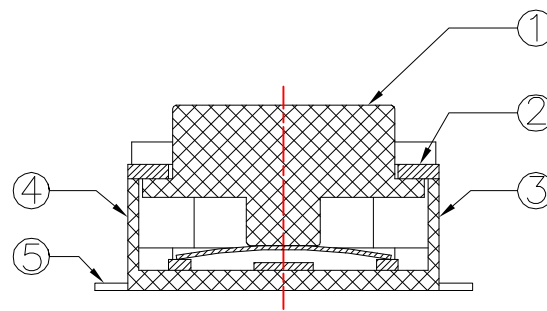
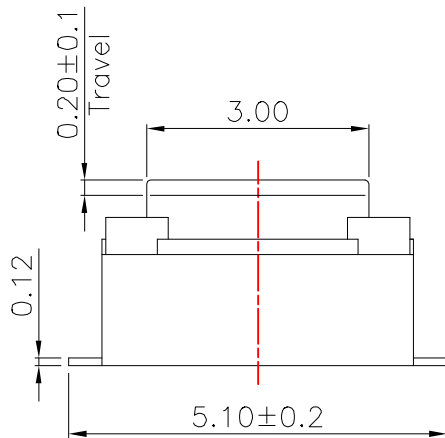
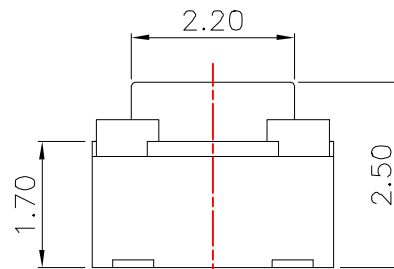
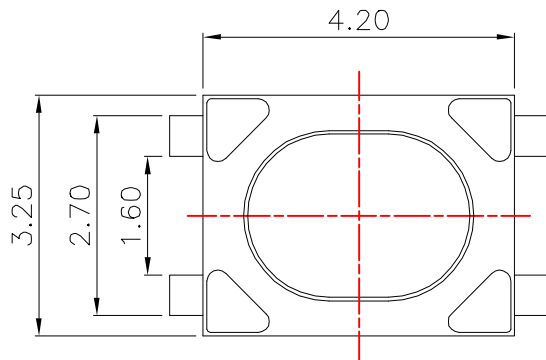
Typical Specifications :
 1. Rating : DC 12V 50mA
 2. Life:100,000 Cycles Min.



PCB Layout(Pattern Side)



Circuit diagram



P/N:TS-KG89S-X X XX X
 A: 不锈钢
 B: 覆磷铜
 T: 编带
 B: 散装
 G: 150±50gf
 F: 250±50gf
 H: 高度

product height	
Code	H
25	2.5

⑤	Terminal	—	4	Phosphor Bronze	Plating silver	—
④	Contact	—	1	F.Ag/SUS	Plating silver	—
③	Base	—	1	LCP	White	—
②	Cover	—	1	SUS	Natural	—
①	Keystoke	—	1	LCP	White	—
ITEM	PART NAME	TER'NO.	QTY.	MATERIAL	FINISHING	REMAP

UNLESS OTHERWISE SPECIFIED TOLERANCES

DECIMALS: 30~以上±0.30
 10~30±0.20
 5~10±0.15
 ~5±0.10

ANGLES: ±2°

东莞市汉博电子科技有限公司
 DONGGUAN HANBO TECHNOLOGY CO., LTD

TITLE		TACT SWITCH		
DWN	xiong	PART NO.	TS-KG89S-XXXXXX	
CHKD	lee	SCALE:1:1	UNIT: mm	
APVD	wang	SIZE: A4	SHEET:10F 1	REV: A4

CUSTOMER COPY