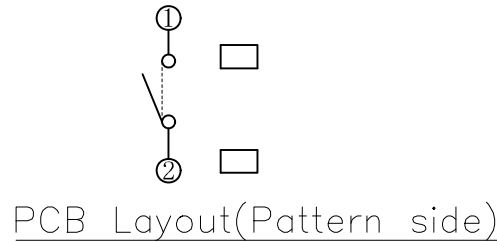
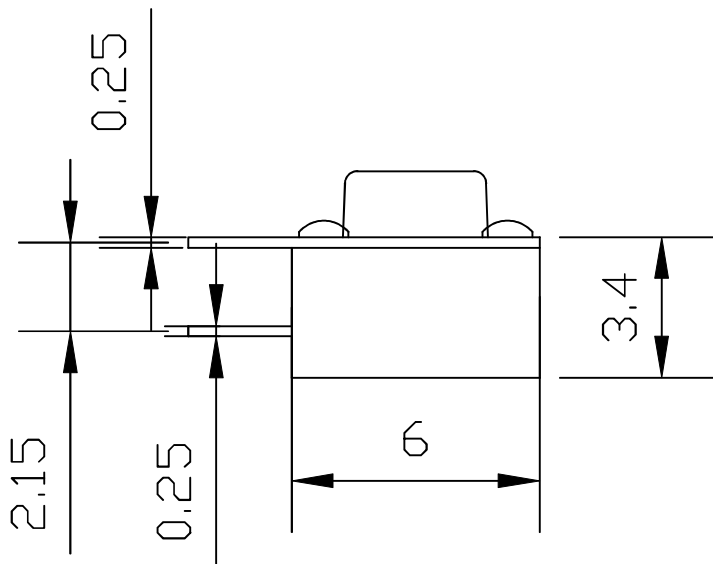




REV.	ECN NO OR DESCRIPTION	REVISED	DATE



**技术要求**

**1、ELECTRICAL CHARACTERISTICS (电气性能):**

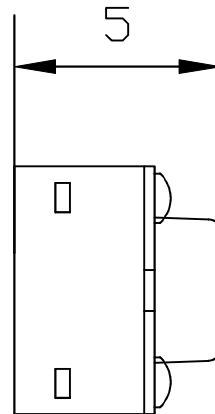
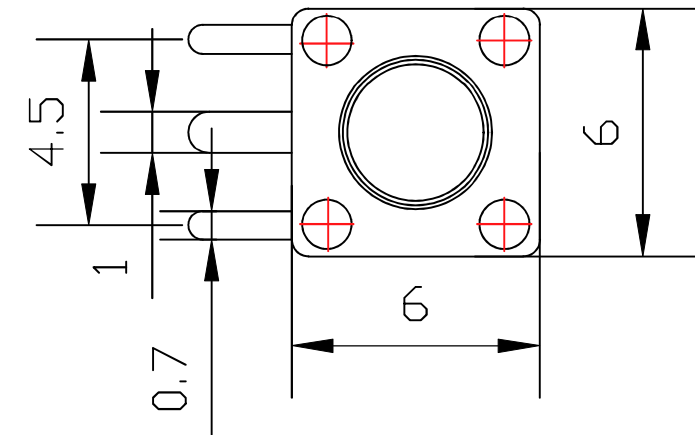
1.1 Rating (额定值): DC12V 50mA

1.2 Travel (行程): 0.25±0.1mm

1.3 Contact Resistance (接触电阻): 100mΩ Max

1.4 Life (寿命): 50,000 Cycles MIN (大于50,000次)

2、ELECTRICAL temperature rang (使用温度范围): -25° C ~ +70° C



product height	
Code	H
43	4.3
45	4.5
50	5.0
55	5.5
60	6.0
65	6.5
70	7.0
75	7.5
80	8.0
85	8.5
90	9.0
95	9.5
100	10.0

P/N: TS-KG02VA-X X XX X

A: 不锈钢  
B: 覆银铜  
T: 编带  
B: 散装

G: 150±50gf  
F: 250±50gf  
H: 高度

ITEM	PART NAME	TER'NO.	QTY.	MATERIAL	FINISHING	REMAP
⑤	Terminal	—	3	Brass(0.30t)	Plating silver	—
④	Contact	—	1	F.Ag/SUS	—	—
③	Base	—	1	PA46	Black	—
②	Cover	—	1	BRASS	Plating silver	—
①	Keystoke	—	1	PA46	Black	—

UNLESS OTHERWISE SPECIFIED TOLERANCES

DECIMALS: 30~以上±0.30  
10~30 ±0.20  
5~10 ±0.15  
~5±0.10

ANGLES: ±2'

**东莞市汉博电子科技有限公司**  
DONGGUAN HANBO TECHNOLOGY CO., LTD

TITLE: TACT SWITCH

DWN xiong PART NO. TS-KG02VA-XXXXX

CHKD lee SCALE:1:1 UNIT: mm

APVD wang SIZE: A4 SHEET:10F 1 REV: A4

CUSTOMER COPY