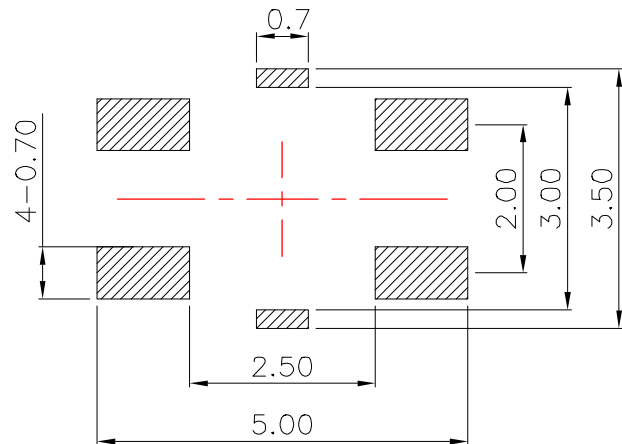
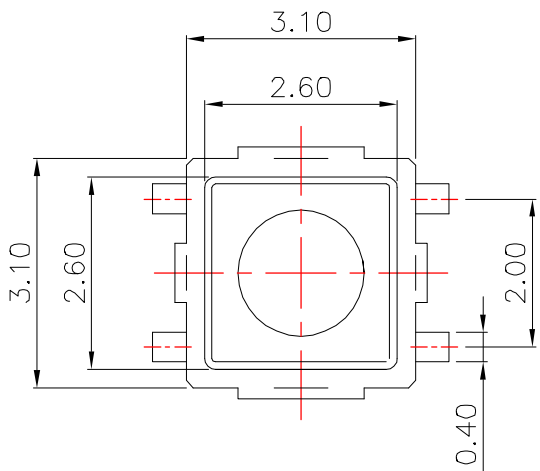
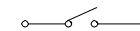




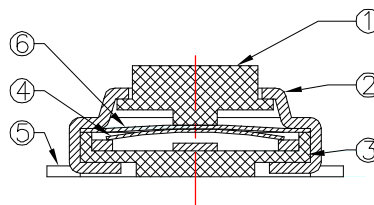
REV.	ECN NO OR DESCRIPTION	REVISED	DATE



PCB Layout(Pattern side)



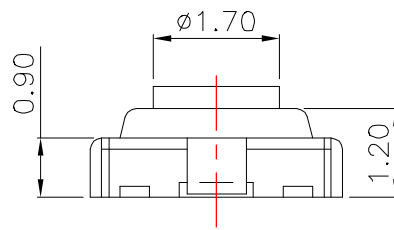
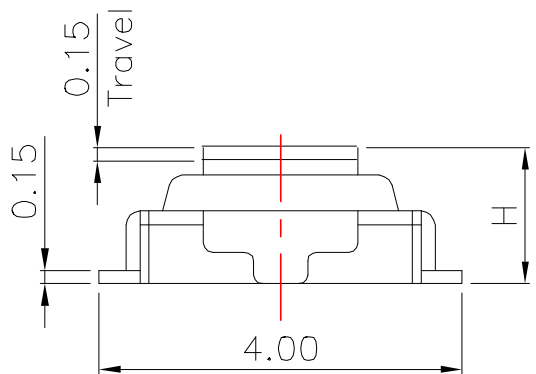
Circuit Diagram



product height	
Code	H
15	1.5
20	2.0

P/N: TS-KG77S-X X XX X

A: 不锈钢
 B: 覆磷铜
 T: 编带
 B: 散装
 G: 150±50gf
 F: 250±50gf
 H: 高度



ITEM	PART NAME	TER'NO.	QTY.	MATERIAL	FINISHING	REMAP
⑥	Dust Cover	—	1	Kapton Film	Yellow	—
⑤	Terminal	—	4	Phosphor Bronze	Plating silver	—
④	Contact	—	1	F.Ag/SUS	Natural	—
③	Base	—	1	Nylon	Black	—
②	Cover	—	1	SPCC	Natural	—
①	Keystoke	—	1	Nylon	White	—

UNLESS OTHERWISE SPECIFIED TOLERANCES

DECIMALS: 30~以上±0.30
 10~30±0.20
 5~10±0.15
 ~5±0.10

ANGLES: ±2°

东莞市汉博电子科技有限公司
 DONGGUAN HANBO TECHNOLOGY CO., LTD

TITLE		TACT SWITCH		
DWN	xiong	PART NO. TS-KG077S-XXXXX		
CHKD	lee	SCALE: 1:1	UNIT: mm	
APVD	wang	SIZE: A4	SHEET: 10F 1	REV: A4
CUSTOMER COPY				