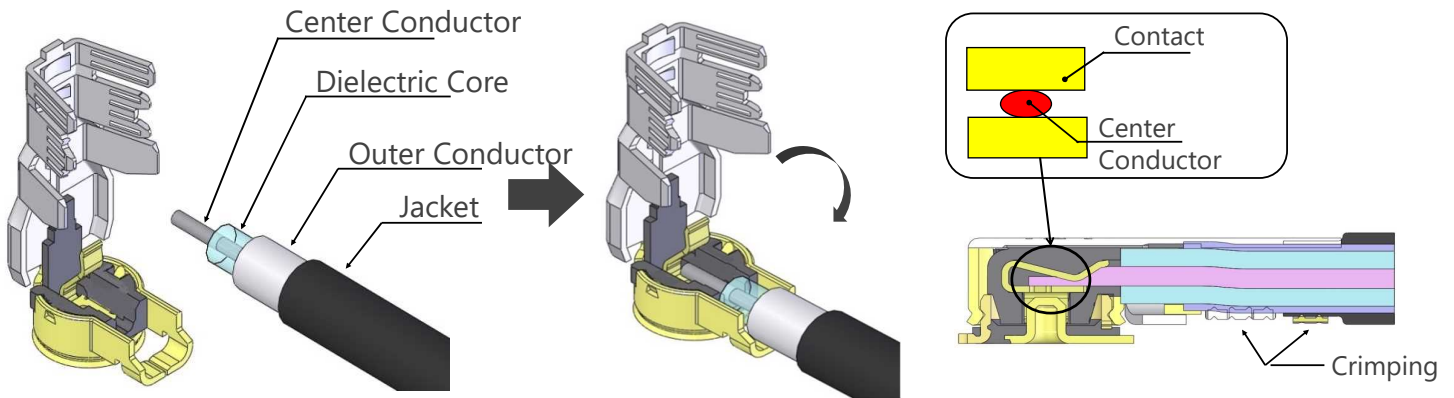




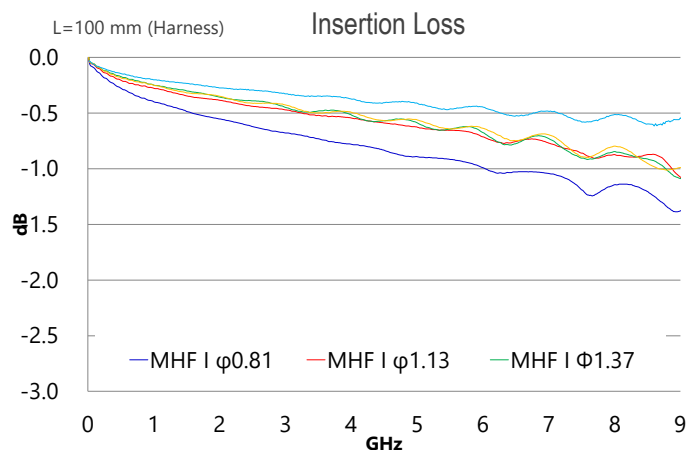
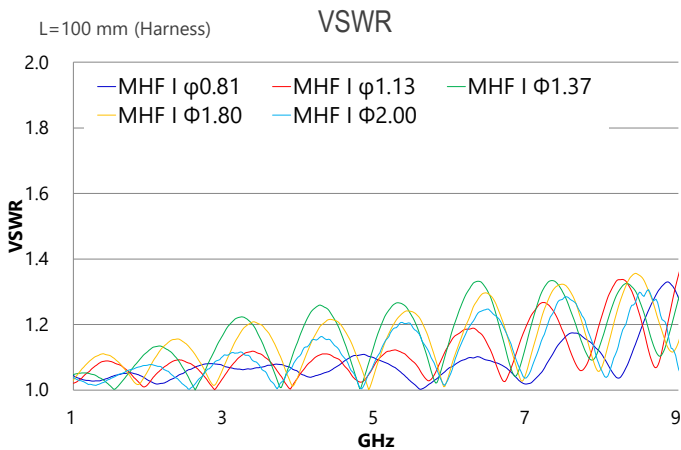
- ✓ Solderless micro-coaxial termination with "i-Fit[®]" technology.
- ✓ Best insertion loss possible with 2.0 mm O.D. micro-coaxial.
- ✓ 2.0 mm O.D. (AWG #26) micro-coaxial cable plug, mates to standard MHF I receptacle.

| | | | |
|-------------------------------------|---|----------|----------|
| Maximum height (mm) | 3.0 | | |
| Outside dimension of receptacle(mm) | 3.1 x 3.0 | | |
| Applicable wire gauge | O.D. 1.80 / 1.37 mm / AWG 30 O.D. 1.32 / 1.13 mm / AWG 32 O.D. 0.81 mm / AWG 36 | | |
| Frequency | DC~9 GHz | | |
| Connector | PLUG | RECE | |
| VSWR (L=100 mm) | DC~3 GHz | 1.3 max. | 1.3 max. |
| | 3 GHz~6 GHz | 1.5 max. | 1.4 max. |
| | 6 GHz~9 GHz | 1.6 max. | 1.8 max. |
| Service temp. (Celsius) | -40 degree ~ +90 degree | | |
| Characteristic impedance | 50 ohm | | |
| Rated voltage | AC60V | | |
| Contact resistance | 20m ohm max. | | |
| Withstand voltage | AC200V/min | | |
| Insulation resistance | 500M ohm min./DC100V | | |

Solderless Micro-Coaxial Termination with "i-Fit[®]" Technology



Best Insertion Loss Possible with 2.0 mm O.D. Micro-Coaxial



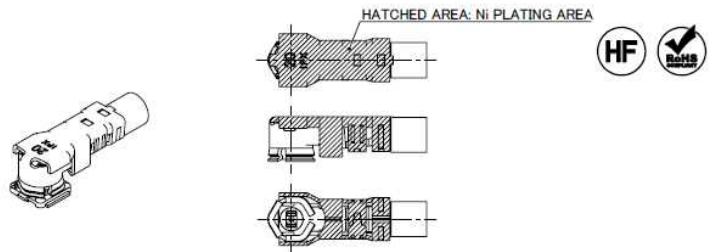
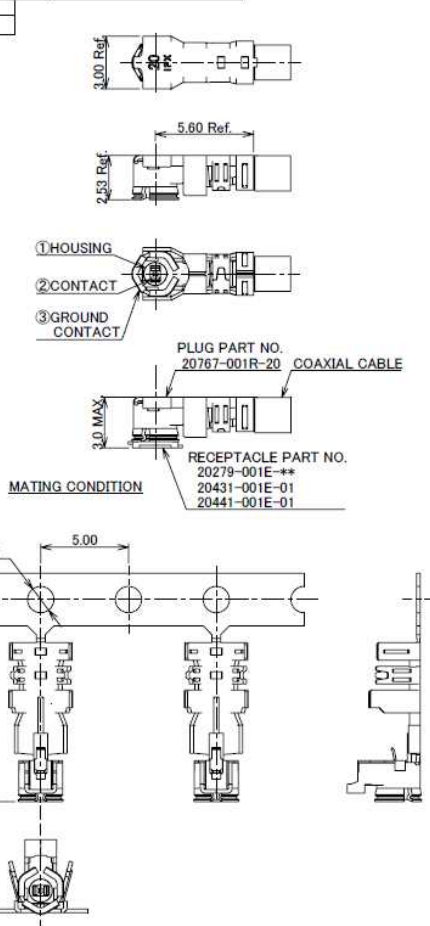
2.0 mm O.D. (AWG #26) Micro-Coaxial Cable Plug, Mates to Standard MHF I Receptacle

| Coax O.D. (Center Conductor AWG) | Mating Height | |
|--|---------------------|--|
| | 3.0 mm max. | 2.5 mm max. 2.9 mm max. with MHF I LK |
| 2.00 mm (26) | ○ | |
| 1.80 mm (30) | | ○ |
| 1.37 mm (30) | | ○ |
| 1.32 mm (32) | | ○ |
| 1.13 mm (32) | | ○ |
| 0.95 mm (33) | | |
| 0.81 mm (33) | | |
| 0.81 mm (36) | | ○ |
| 0.64 mm (36) | | |
| 0.48 mm (38) | | |
| Receptacle | MHF I/II receptacle | |

MHF[®] I (2.0 mm Cable O.D.) Component Parts Detail

MHF[®] I plug (2.0 mm Cable O.D.)

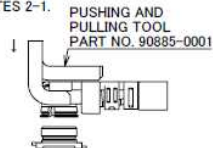
| | |
|-----------------|---------------|
| Recommended P/N | 20767-001R-20 |
| PART No. | |
| 20767-001R-20 | |



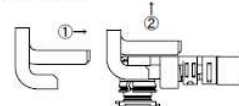
NOTES

- APPLICABLE CONNECTOR:
20279-001E-**, 20431-001E-01, 20441-001E-01
- MATING AND UNMATING INSTRUCTION
 - MATING
MATE THE CONNECTOR VERTICALLY AS MUCH AS POSSIBLE, ADJUSTING THE MATING AXIS OF PLUG AND RECEPTACLE. DO NOT SLANT MATE.
 - UNMATING
 - IN CASE OF UNMATING BY PULLING TOOL (PART NO. 90885-0001)
USE THE PULLING TOOL AS THE FOLLOWING DRAWING, AND PLEASE PULL PLUG TO VERTICAL DIRECTION AS DIRECTLY AS POSSIBLE.
 - IN CASE OF UNMATING DIRECTLY BY HAND
CATCH THE CATCHING AREA OF PLUG, AND PULL PLUG TO VERTICAL DIRECTION AS DIRECTLY AS POSSIBLE.

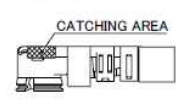
NOTES 2-1.



NOTES 2-2-1.



NOTES 2-2-2.



| | | | |
|-----|----------------|-----------------|--|
| 3 | GROUND CONTACT | PHOSPHOR BRONZE | ALL OVER Ni 1.00 μm MIN. CONTACT PART Au 0.05 μm MIN. |
| 2 | CONTACT | PHOSPHOR BRONZE | ALL OVER Ni 1.00 μm MIN. CONTACT PART Au 0.10 μm MIN. |
| 1 | HOUSING | PBT | UL94V-0, BLACK |
| NO. | DESCRIPTION | MATERIAL | FINISH , REMARKS |

MHF® I plug (2.0 mm Cable O.D.)

| ITEMS | SPECIFICATION |
|---|---|
| RECOMMENDED APPLICABLE CONNECTOR PART No. | 20279-001E-**-** |
| RATING VOLTAGE | 60 V AC (R.M.S) |
| RATING FREQUENCY | DC~9GHz |
| OPERATING TEMPERATURE | 233~363 K (-40°C~+90°C) |
| VSWR | 1.3 MAX. AT 0.1~3 GHz, 1.5 MAX. AT 3~6 GHz, 1.6 MAX. AT 6~9 GHz |
| MAIN CONTACT RESISTANCE | INITIAL: 20 mohm MAX. / AFTER TEST: Δ R 20 mohm MAX. |
| GROUND CONTACT RESISTANCE | INITIAL: 20 mohm MAX. / AFTER TEST: Δ R 100 mohm MAX. |
| INSULATION RESISTANCE | INITIAL: 500 Mohm MIN. / AFTER TEST: 100 Mohm MIN. |
| DIELECTRIC WITHSTANDING VOLTAGE | 200 V AC, 1 MINUTE |
| DURABILITY | 30 CYCLES |
| UNMATING FORCE (INITIAL / AFTER TEST) | 5 N MIN. / 3 N MIN. |
| CRIMP STRENGTH | 15 N MIN. |
| PRODUCT SPECIFICATION | PRS-2490 |
| TEST REPORT | TR-18041 |
| PACKING STANDARD | PST-16007 |
| INSTRUCTION MANUAL | HIM-17017 |
| APPEARANCE CRITERIA No. | QLS-A*** |

Rev.2

MHF® I plug (2.0 mm Cable O.D.)

| | | | |
|---|------------------|------------------|------------------|
| PART NO. | 20767-001R-20 | | |
| APPLICABLE CABLE NOMINAL DIMENSION | | | |
| BRAIDED SHIELD OF OUTER CONDUCTOR | SINGLE | | |
| PART NO. OF SEMI AUTO TERMINATION MACHINE | 90876-020 | | |
| CRIMP HEIGHT | CH-1 i-Fit® PART | CH-2 SHIELD PART | CH-3 JACKET PART |
| | 2.28~2.36 | 1.81~1.87 | 1.95~2.01 |

Rev.2

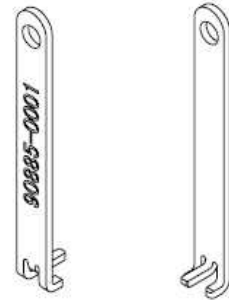
Accessories for MHF® I plug (2.0 mm Cable O.D.)



MHF I/II SMA ADAPTOR
PART NO. 90193-001



MHF I/II PLUG INSPECTION CONNECTOR
PART NO. 90194-001

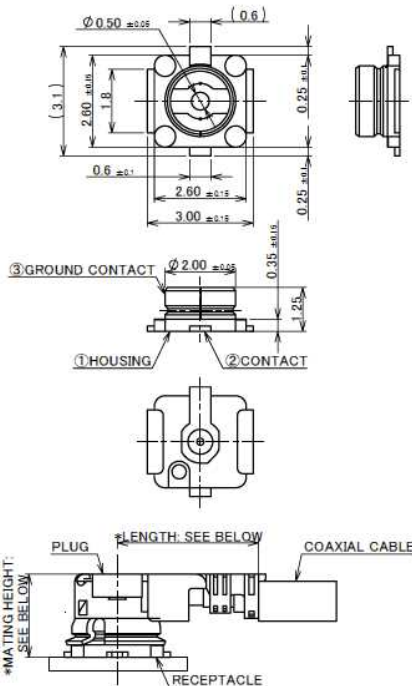


FRONT SIDE BACK SIDE
MHF I PLUG (2.00) PUSHING AND PULLING TOOL
PART NO. 90885-0001

Rev.2

MHF® I Receptacle

| Recommended P/N | | 20279-001E-03 |
|-----------------|-----------------------|--------------------|
| PART NO. | PACKING REEL | QUANTITY IN 1 REEL |
| 20279-001E-01 | PLASTIC REEL | 2,500 |
| | CORRUGATED PAPER REEL | 2,500 |
| 20279-001E-03 | PLASTIC REEL | 5,000 |
| 20279-001E-05 | PLASTIC REEL | 10,000 |



- NOTES
- APPLICABLE CONNECTOR PART NO.
MHF I PLUG
20278-11R-**-**
20351-***R-37
20631-***R-**-**
20670-001R-**-**
20767-001R-20
MHF II PLUG
20311-011R-**-**
20686-001R-08
 - COPLANARITY: 0.1mm MAX.
 - THIS IS "Pb-FREE" CONNECTOR.

| NO. | DISCRIPTION | MATERIAL | FINISH, REMARKS |
|-----|----------------|-----------------|---|
| 3 | GROUND CONTACT | PHOSPHOR BRONZE | ALL OVER Ni 1.00 μ m MIN. CONTACT PART Au 0.05 μ m MIN. SOLDERING PART Au 0.05 μ m MIN. |
| 2 | CONTACT | BRASS | ALL OVER Ni 1.00 μ m MIN. CONTACT PART Au 0.10 μ m MIN. SOLDERING PART Au 0.03 μ m MIN. |
| 1 | HOUSING | LCP | UL94V-0, WHITE |

*LENGTH: 4.0 \pm 0.4 AT PLUG PART NO. 20670-001R-08, 20670-001R-13, 20670-001R-32
4.7 \pm 0.4 AT PLUG PART NO. 20670-001R-18, 20670-001R-37
5.6 AT PLUG PART NO. 20767-001R-20 (REFERENCE DIMENSION)
3.8 \pm 0.3 AT PLUG PART NO. 20686-001R-08, 20311-011R-**-**
*MATING HEIGHT: 2.5 MAX. AT PLUG PART NO. 20670-001R-**-**
3.0 MAX. AT PLUG PART NO. 20767-001R-20
2.0 \pm 0.1 AT PLUG PART NO. 20686-001R-08, 20311-011R-**-**
MATING CONDITION

Rev.25

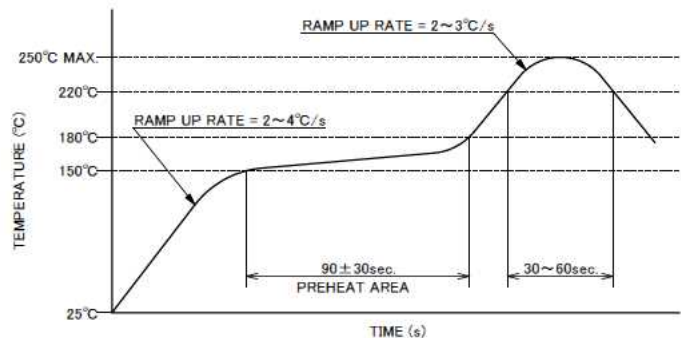
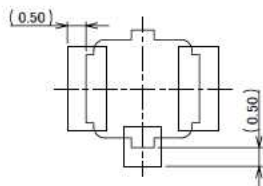
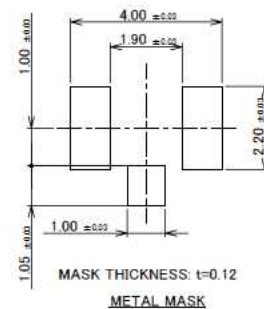
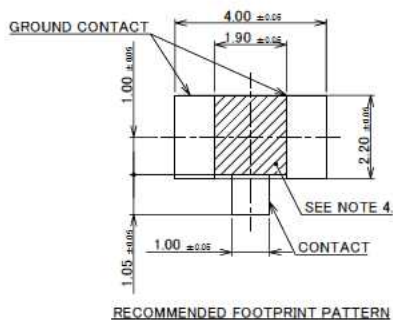
MHF® I Receptacle

| ITEMS | SPECIFICATION | | |
|---|--|------------------------------------|--|
| | 20670-001R-**- (MHF I PLUG Ni TOP 1.80, 1.37, 1.32, 1.13, 0.81) | 20767-001R-20 (MHF I PLUG 2.00) | 20686-001R-08 (MHF II PLUG Ni TOP 0.81) |
| RECOMMENDED APPLICABLE CONNECTOR PART NO. | | | |
| RATING VOLTAGE | 60 V AC (R.M.S) | | |
| RATING FREQUENCY | DC~9GHz | | |
| OPERATING TEMPERATURE | 233~383K (-40°C~+90°C) | | |
| VSWR | RECEPTACLE: 1.3 MAX. AT 0.1~3 GHz, 1.4 MAX. AT 3~6 GHz, 1.8 MAX. AT 6~9 GHz | | |
| MAIN CONTACT RESISTANCE | INITIAL: 20 mohm MAX. / AFTER TEST: ΔR 20 mohm MAX. | | |
| GROUND CONTACT RESISTANCE | INITIAL: 20 mohm MAX. / AFTER TEST: ΔR 100 mohm MAX. | | |
| INSULATION RESISTANCE | INITIAL: 500 Mohm MIN. / AFTER TEST: 100 Mohm MIN. | | |
| DIELECTRIC WITHSTANDING VOLTAGE | 200 V AC, 1 MINUTE | | |
| DURABILITY | 30 CYCLES | | |
| UNMATING FORCE (INITIAL / AFTER TEST) | INITIAL: 5 N MIN. AFTER TEST: 3 N MIN. | | INITIAL: 4 N MIN. AFTER TEST: 2 N MIN. |
| PRODUCT SPECIFICATION | PRS-2105 | PRS-2490 | PRS-2106 |
| TEST REPORT | TR-15059 | TR-18041 | TR-15060 |
| PACKING STANDARD | 20279-001E-01: 300-232 (CORRUGATED PAPER REEL) PST-12002 (ANTI-STATIC PLASTIC REEL) 20279-001E-03: 300-850 20279-001E-05: PST-13040 | | |
| INSTRUCTION MANUAL | HIM-10002 | | HIM-12010 |
| APPEARANCE CRITERIA No. | QLS-A*** | | |

※UNLESS OTHERWISE SPECIFIED, 20279-001E-01 WILL DERIVED IN CORRUGATED PAPER REELS.
CONTACT YOUR I-PEX SALES IF YOU WISH FOR PLASTIC REELS.

Rev.25

MHF® I Receptacle



NOTES
4. CUT OUT PROHIBITION AREA

Rev.25

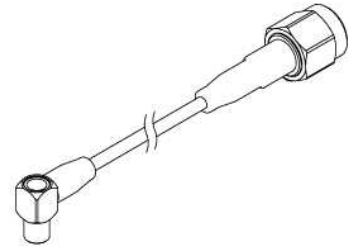
Accessories for MHF® I Receptacle



MHF I/II SMA ADAPTOR
PART NO. 90193-002



4.5MM HIGH CYCLE TEST PROBE FOR MHF/MHF A
PART NO. 90575-0001



4.5MM HIGH CYCLE TEST PROBE CABLE ASS'Y
PART NO. 90577-****

* 90575-0001 AND 90577-**** SHOULD BE USED TOGETHER.

Rev.25



Copyright © I-PEX Inc. 2020. All rights reserved.

I-PEX, MHF, CABLINE, NOVASTACK, EVAFLEX, MINIFLEX, ISH, IARP, IASLP, ESTORQ, i-Fit and ISFIT are registered trademarks of I-PEX Inc. Please note that the contents in the catalog might be changed without prior notification. I-PEX Inc. assumes no responsibility for any inaccuracies or obligation to update Information on these documents. Please be sure to read and understand the latest "Precautions for Use" and "Instruction Manual" before you use our products. We shall not be responsible for any defects, damages or troubles in case you use our products without following the precautions for use. Please feel free to contact our sales representatives when you use our products for any applications that require very high reliability and safety, or that relate to human life (ex. nuclear power control, aerospace, transportation, medical equipment, safety equipment etc.).

Contact your sales representative for more detailed information. [i-pex.com]

202008R0