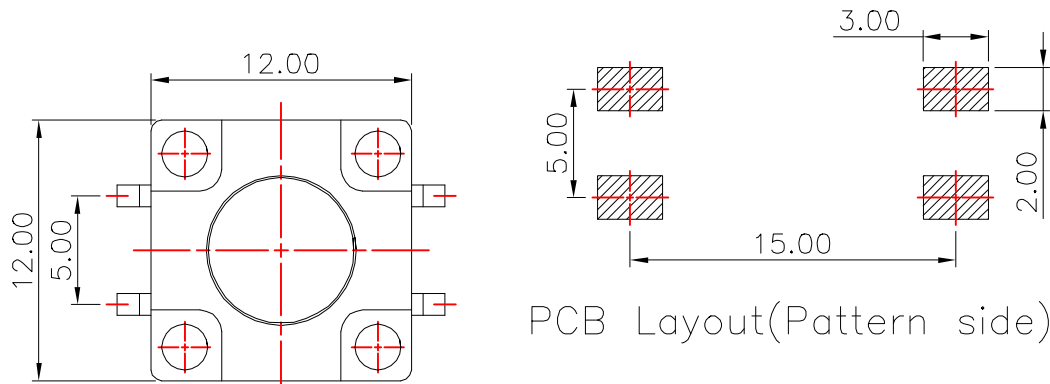
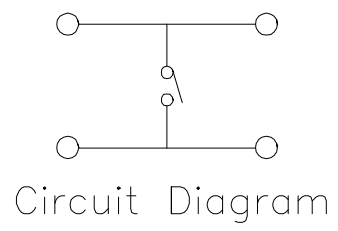




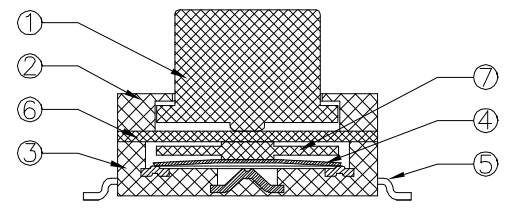
REV.	ECN NO OR DESCRIPTION	REVISED	DATE



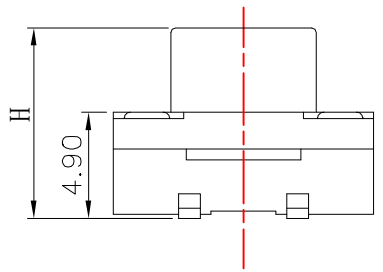
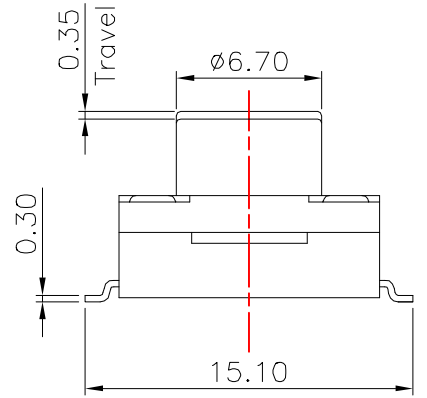
PCB Layout(Pattern side)



product height			
Code	H	Code	H
43	4.3	100	10.0
45	4.5	110	11.0
50	5.0	120	12.0
55	5.5	130	13.0
60	6.0	140	14.0
65	6.5	150	15.0
70	7.0	160	16.0
75	7.5	170	17.0
80	8.0	180	18.0
85	8.5		
90	9.0		
95	9.5		



P/N: TS-KG10DG-X X XX X
 A: 不锈钢
 B: 覆磷铜
 T: 编带
 B: 散装
 G: 150±50gf
 F: 250±50gf
 H: 高度



ITEM	PART NAME	TER'NO	QTY.	MATERIAL	FINISHING	REMAP
⑦	Gasket	—	1	Nylon	—	—
⑥	Waterproof Silicone	—	1	Silica gel	—	—
⑤	Terminal	—	4	Brass(0.3t)	Plating silver	—
④	Contact	—	1	F.Ag/C5210	—	—
③	Base	—	1	Nylon	Black	UL94V-0
②	Cover	—	1	Nylon	—	—
①	Keystoke	—	1	Nylon	Black	UL94V-0

UNLESS OTHERWISE SPECIFIED TOLERANCES

DECIMALS: 30~以上±0.30
 10~30±0.20
 5~10±0.15
 ~5±0.10

ANGLES: ±2°

东莞市汉博电子科技有限公司
DONGGUAN HANBO TECHNOLOGY CO., LTD

TITLE: TACT SWITCH

DWN: xiong PART NO. TS-KG10DG-XXXXX

CHKD: lee SCALE: 1:1 UNIT: mm

APVD: wang SIZE: A4 SHEET: 1 OF 1 REV: A4

CUSTOMER COPY