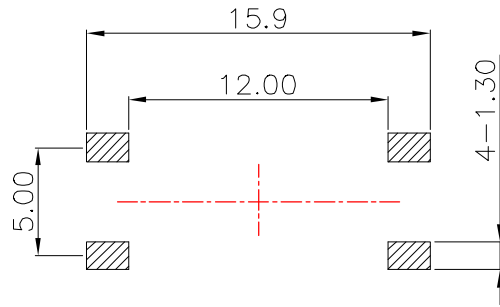
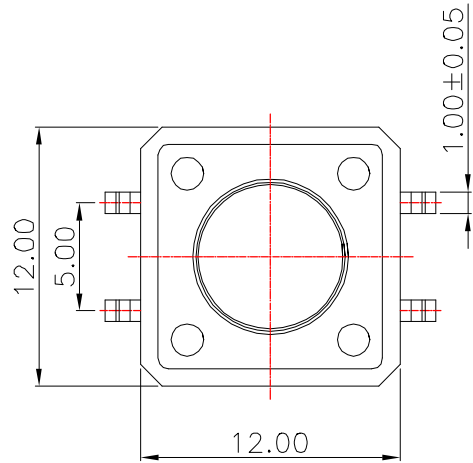


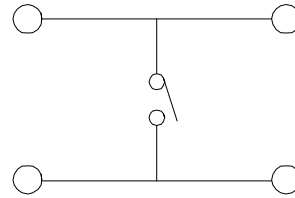


REV.	ECN NO OR DESCRIPTION	REVISED	DATE



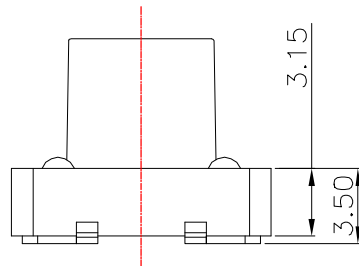
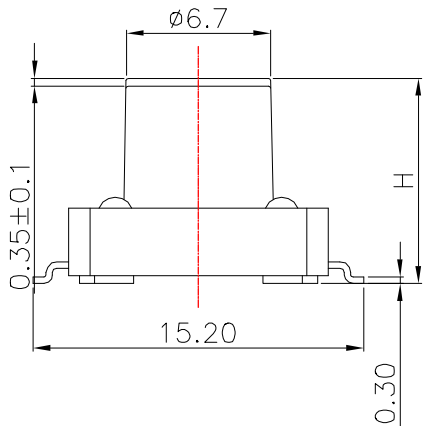
PCB Layout(Pattern side)

product height			
Code	H	Code	H
43	4.3	110	11.0
45	4.5	115	11.5
50	5.0	120	12.0
55	5.5	125	12.5
60	6.0	130	13.0
65	6.5	135	13.5
70	7.0	140	14.0
75	7.5	150	15.0
80	8.0	160	16.0
85	8.5	170	17.0
90	9.0	180	18.0
95	9.5		
100	10.0		
105	10.5		



Circuit Diagram

P/N: TS-KG1103S-X X XX X
 A: 不锈钢
 B: 覆磷铜
 T: 编带
 B: 散装
 G: 150 ± 50gf
 F: 250 ± 50gf
 H: 高度



ITEM	PART NAME	ER'NO	QTY	MATERIAL	FINISHING	REMAP
⑤	Terminal	—	4	Brass(0.3t)	Plating silver	—
④	Contact	—	1	F.Ag/C5210	—	—
③	Base	—	1	Nylon	Black	UL94V-0
②	Cover	—	1	SPCC/Brass	Plating Sn	—
①	Keystoke	—	1	Nylon	Black	UL94V-0

UNLESS OTHERWISE SPECIFIED TOLERANCES		东莞市汉博电子科技有限公司 DONGGUAN HANBO TECHNOLOGY CO., LTD			
DECIMALS:	ANGLES:	TITLE	TACT SWITCH		
30~以上 ± 0.30	: ± 2°	DWN	xiong	PART NO. TS-KG1103S-XXXXX	
10~30 ± 0.20		CHKD	lee	SCALE: 1:1	UNIT: mm
5~10 ± 0.15		APVD	wang	SIZE: A4	SHEET: 1 OF 1
~5 ± 0.10		REV: A4			
CUSTOMER COPY					