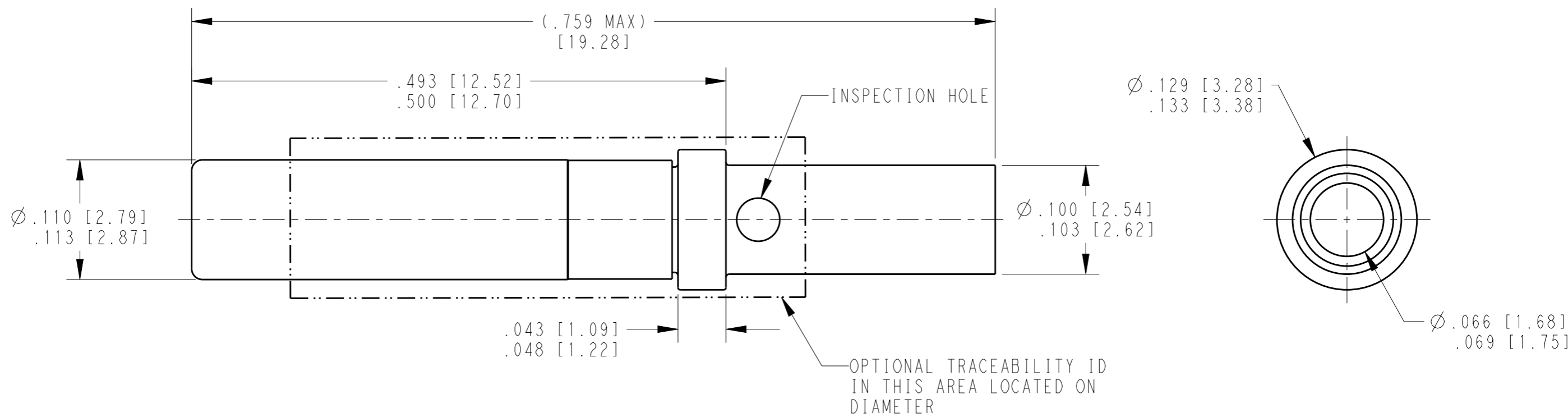



REVISIONS

P	LTR	DESCRIPTION	DATE	DWN	APVD
	NC	NEW RELEASE PER E.O. P15506	23DEC1997	DM	RDR
	A	RELEASED PER E.O. P15996	25MAY1999	DM	RDR
	B	RELEASED PER PCN E-18-001206	24JAN2018	JA	DM
	B1	REVISED PER PCN E-19-018080	21NOV2019	MK	DM



TE INTERNAL PN	DEUTSCH PN	PLATING
0462-201-1631	0462-201-1631	GOLD
0462-201-16141	0462-201-16141	NICKEL

THIS DRAWING IS A CONTROLLED DOCUMENT.		DWN D. MEYER 17DEC1997	 TE Connectivity													
DIMENSIONS: INCHES [mm]		CHK V. TOMSA 25MAY1999														
TOLERANCES UNLESS OTHERWISE SPECIFIED:		APVD R. REED 25MAY1999	NAME CONTACT SOCKET SIZE 16													
<table border="0"> <tr> <td>0 PLC</td> <td>±</td> </tr> <tr> <td>1 PLC</td> <td>±</td> </tr> <tr> <td>2 PLC</td> <td>±</td> </tr> <tr> <td>3 PLC</td> <td>±</td> </tr> <tr> <td>4 PLC</td> <td>±</td> </tr> <tr> <td>ANGLES</td> <td>±</td> </tr> </table>		0 PLC	±	1 PLC	±	2 PLC	±	3 PLC	±	4 PLC	±	ANGLES	±	PRODUCT SPEC 108-151004	SIZE A3	
0 PLC	±															
1 PLC	±															
2 PLC	±															
3 PLC	±															
4 PLC	±															
ANGLES	±															
MATERIAL		APPLICATION SPEC 114-151004	CAGE CODE 4AFU8	DRAWING NO 0462-201-16XX												
FINISH		WEIGHT 0.60g	RESTRICTED TO -													
		CUSTOMER DRAWING	SCALE 10:1	SHEET 1 OF 1												
			REV B1													

NOTES:
1. SEE APPLICATION SPECIFICATION 114-151004 FOR CRIMP TOOLS AND WIRE RANGE.