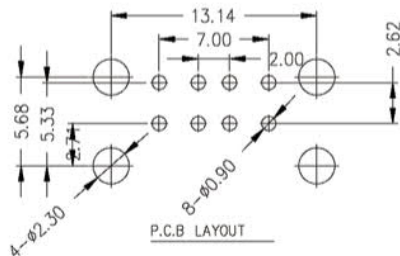
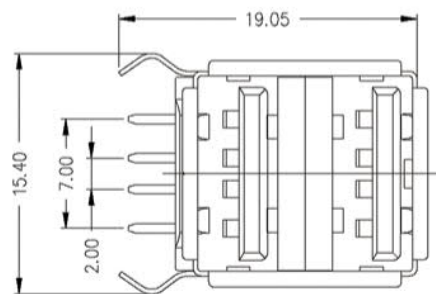
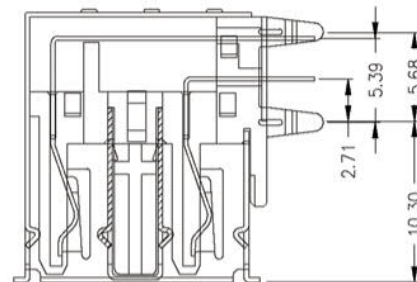
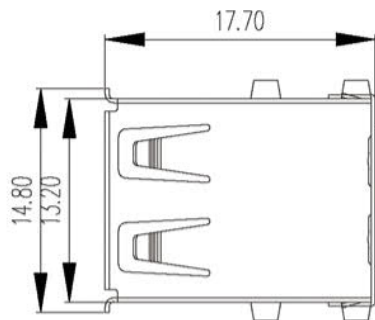
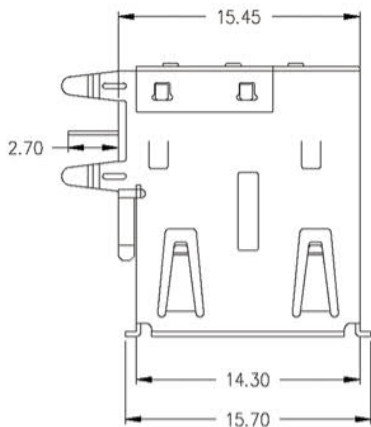


REV.	DESCRIPTION	DATE
A	RELEASE	2013.8.15



特性: Specifications:

电气 Electrical:

接触电阻 Contact Resistance
30 milliohms MAX

绝缘介电 Dielectric Withstanding Voltage:
500 V AC AT Sea Level

绝缘电阻 Insulation Resistance:
1000 MEGA ohms MIN

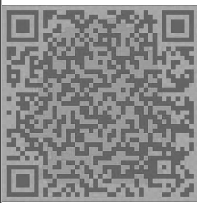
材料: Material

1. 塑料: PBT UL 94V-0 黑色
2. 端子: Contact Copper Alloy C2680H
3. 壳体/外壳: Shell: Copper Alloy

电镀: Finish

1. 端子: Contact: Plated Gold in Mating (IU) Area
Tin On Solder Tails
接触区镀金 1U", 脚镀锡
2. 壳体/外壳: Shell
Nickel plating 镀镍

UNLESS TOLERANCE		DRAW BY		深圳市金航标电子有限公司
GENERAL	ANGLE	DESIGN BY	CHECK BY	
.X ± 0.38	X.° ± 3.0°	APPROVE BY	SCALE	
.X ± 0.30	.X" ± 2.0°	SCALE	SHEET	
.XX ± 0.25	.XX" ± 1.0°	SCALE	UNIT	ITEM :
.XXX ± 0.10	.XXX" ± 0.5°	SCALE	UNIT	USB 双层A母有后盖有边弯脚
 		1: 1	1/1	MM
		DRW NO:	1120-204019	REV: AO



技术详询