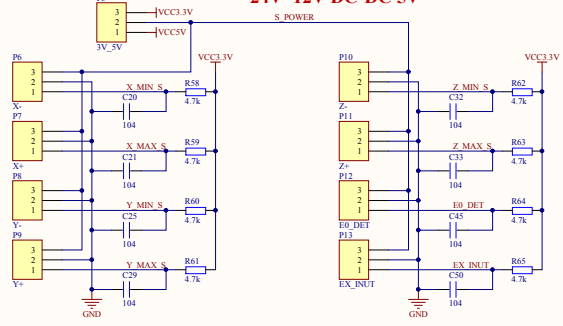
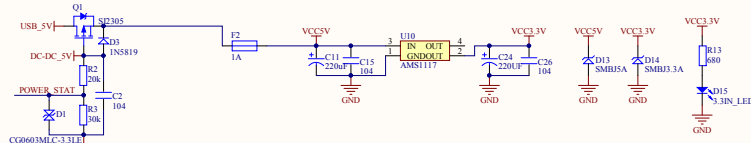


24V~12V DC-DC 5V

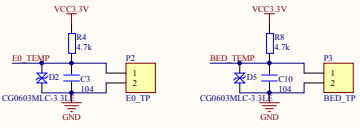


6 Limit input & 2 normal switch input

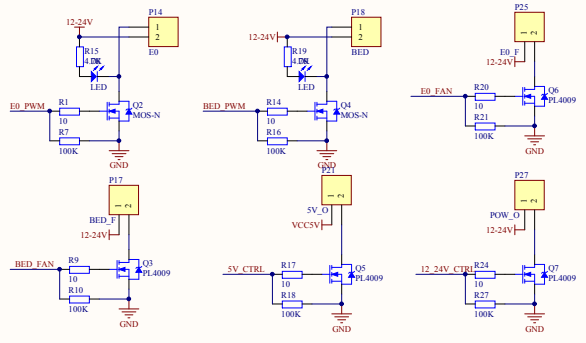
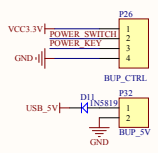


AUTO SWITCHING

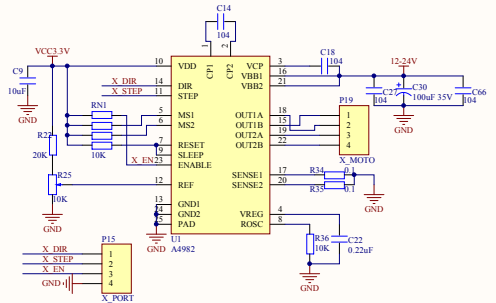
5V-3.3V



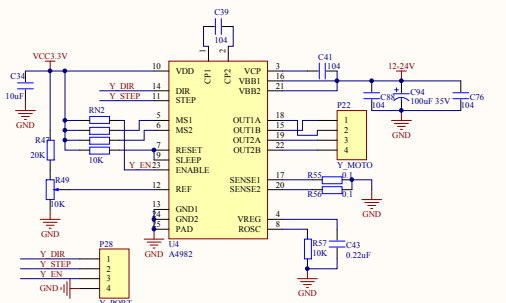
Thermistors



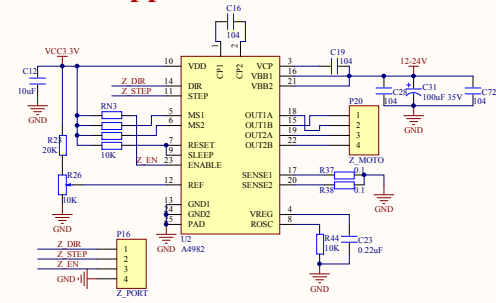
6 drain output



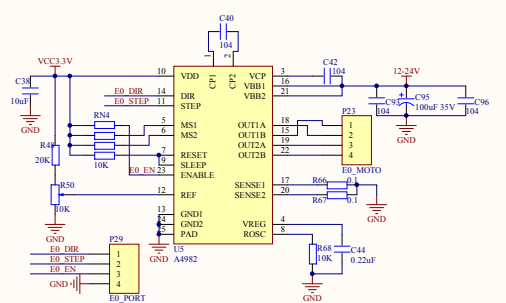
X stepper motor driver



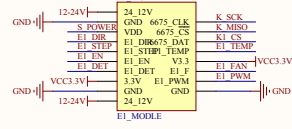
Y stepper motor driver



Z stepper motor driver



E0 stepper motor driver



E1

Title		
Size	Number	Revision
A2		
Date:	2016/3/1	Sheet of
File:	E:\TDK\DOWNLOAD\...	SchDoc
		Drawn By: