

产品规格书

SPECIFICATION

产品名称 石英晶体谐振器

Description Crystal Unit

型号 · 标称频率

Type · Nominal Frequency 308 32.768KHz

规格书号

Specification . JFWSH32K25A204C

制作

DESIGNEDBY 杨 阳

审核

CHECKEDBY 何 珍

批准

APPROBEDBY 肖 琳

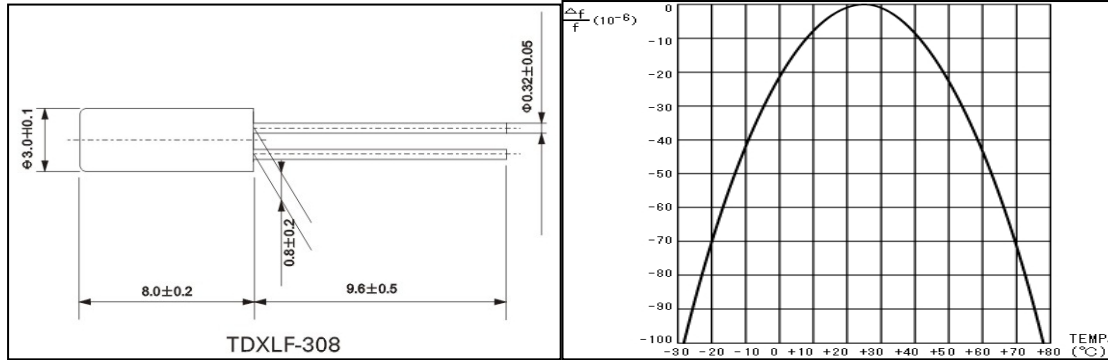
JF 深圳市晶发电子有限公司

SHENZHEN JINGFA ELECTRONICS CO., LTD

石英晶体谐振器（柱状）

RoHS Compliant Standard

TDXLF-308-32.768KHZ12.5PF



Features 特性

Best suited for portable devices with low current consumption

非常適合低功耗的便携設備

For a clock source in digital equipments 適用於數碼設備的所有時鐘源

STANDARD SPECIFICATIONS 標準規格

标称频率 Nominal Frequency	32.768KHz
负载电容 Load Capacitance	12.5pF
存储温度范围 Storage Temperature	-30°C ~ +70°C
工作温度范围 Operating Temperature	-10°C ~ +60°C
频率公差 Frequency Tolerance	±20ppm 25°C+/-3°C
等效阻抗	30K Ω MAX 25°C+/-3°C
激励电平 Level of Drive	1.0 U W MAX
推荐激励电平	0.1 U W
年老化率 Aging	±5ppm/year 25°C+/-3°C
静电容	1.3PF 典型值

工厂地址：深圳市宝安区福永安达电子工业区 4 栋 6 楼

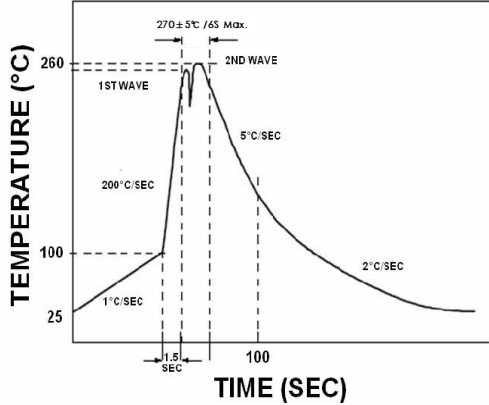
电话：0755-23001622 传真：0755-26741500 网址：www.jingfadianzi.com

可靠性 1 Reliability (Mechanical and Environmental Endurance)

Page 1 of 2

NO	Test Items	Test Method and Condition	Requirements
1	振动 Vibration	(1)振动频率 Vibration Frequency 10 to 55Hz (2)振动幅度 Vibration Amplitude 1.5mm (3)周期 Cycle Time 1-2min(10-55-10Hz) (4)振动方向 Direction X.Y.Z (5)振动时间 Duration 2h/each direction	频率变化最大: ± 30ppm Frequency Change: ± 30ppm Max. 电阻变化最大: ± 15% 或 5kohm Resistance Change: ± 15% or 5kohm Max.
2	冲击 Shock	从 75cm 高的地方自由跌落 3 次到 30mm 厚的硬木板上 3 Times free drop from 75cm height to hard woodenboard of thickness more than 30mm	频率变化最大: ± 30ppm Frequency Change: ± 30ppm Max. 电阻变化最大: ± 15% 或 5kohm. Resistance Change: ± 15% or 5kohm Max.
3	气密性 Leakage	晶体放入氦加压罐内, 充入氦气压力 0.5-0.6Mpa 保持 1 小时; 然后使用氦质谱检漏仪测试。 Put crystal units into a hermetic container and Helium for 0.5-0.6.Mpa, and keep it for 1h; Check the leakage by a Helium leak detector	漏气率小于: $1 \times 10^{-8} \text{ Pa} \cdot \text{m}^3/\text{s}$. Leakage: $1 \times 10^{-8} \text{ Pa} \cdot \text{m}^3/\text{s}$ Max.
4	可焊性 Solderability	将引线浸入完全熔化的焊锡锅内 3-5s, 焊锡温度 $245^\circ\text{C} \pm 5^\circ\text{C}$ Put the leads of crystal units into solder melted tank for 3 to 5s	浸过引线面积的 95% 以上被新焊锡覆盖 The dipped surface of the leads should be at least 95% covered with continuous new solder coating
5	引线强度 Lead Strength (DIP)	用 0.9kg(9N) 的力持续拉晶体引线 $30\text{s} \pm 5\text{s}$; 用 0.45kg 的力折引线成 90° 2 次; The crystal lead with the 0.9kg(9N) power (keep it for $30\text{s} \pm 5\text{s}$). and bend the crystal lead 90° with 0.45kg power and two times	引线无异常 The crystal lead is not abnormality

可靠性 2 Reliability (Mechanical and Environmental Endurance)

NO	Test Items	Test Method and Condition	Requirements
1	耐高温能力 High Temperature.Endurance	晶体放置于 85℃±2℃环境中 240 小时后, 常温放置 1-2 小时 The crystal units shall be put in somewhere for 240 hours at.temperature of 85℃±2℃,then keep it for 1 to 2 hours under room.temperature	频率变化最大: ±30ppm Frequency Change: ±30ppm Max. 电阻变化最大: ±15% 或 5kohm. Resistance Change: ±15% or.5kohm Max.
2	耐低温能力 Low Temperature.Endurance	晶体放置于 -45℃ 环境中 240 小时后, 常温放置 1-2 小时 The crystal units shall be put in somewhere for 240 hours at.temperature of -45℃,then keep it for 1 to 2 hours under room.temperature	频率变化最大: ±30ppm Frequency Change: ±30ppm Max. 电阻变化最大: ±15% 或 5kohm. Resistance Change: ±15% or.5kohm Max.
3	耐湿性 Humidity Endurance	晶体放置于 65℃、相对湿度 95%环境中 240 小时后, 常温放置 1-2 小时 The crystal units shall be put in.somewhere at 65℃ in relative humidity of 95% for 240 hours,then keep it for one or two hours under room temperature	Frequency Change: ±30ppm Max. 频率变化最大: ±30ppm. 电阻变化最大: ±15% 或 5kohm. Resistance Change: ±15% or.5kohm Max
4	高低温循环 Temperature Cycle	温度从 -40℃ (保持 30 分钟) 升高到 100℃ (保持 30 分钟), 再降到 -40℃ (保持 30 分钟) 然后回到室温 25℃ 完成一个循环, 共计 5 个循环 Temperature shift from low(-40℃) to high(100℃,keep 30minutes),satisfy high(100℃) to low(-40℃,keep 30 minutes),then.go up to room temperature for 5 cycles	频率变化最大: ±30ppm Frequency Change: ±30ppm Max. 电阻变化最大: ±15% 或 5kohm Resistance Change: ±15% or5kohm Max.
5	波峰焊 Wave soldering	对于插脚型晶体推荐使用下面的波峰焊温度曲线进行波峰焊接 For DIP type crystal resonator,The WAVE SOLDERING PROFILE as below is recommended: 	频率变化最大: ±30ppm Frequency Change: ±30ppm Max. 电阻变化最大: ±10% 或 5kohm Resistance Change: ±10% or 5kohm Max.

使用说明 Processing Instructions

下面的說明和資訊供用戶正確理解和使用我們公司的石英晶體系列產品，預防不當的加工方式，對石英晶體的損壞，確保用戶設備的可靠性。

The following instructions and information are provided for the purpose of having the user understand the proper way to process our crystal products to prevent problems prior to use and enhance the reliability of the equipment to which they are applied.

No.	PROCESSING INSTRUCTIONS
1	<p>石英晶體意外跌落 When dropped by mistake</p> <p>設計和製造的石英晶體本身具有耐衝擊能力,但是當石英晶體元件經受劇烈的機械衝擊，如跌落到地板上或安裝期間劇烈震動時，在使用之前需要進行電性能確認</p> <p>The crystal units are designed and manufactured to resist physical shocks.However,when the crystal units are subjected to excessive impact such as being dropped onto the floor or giving shocks during processing,need to make sure its satisfactory performance before using it.</p>
2	<p>焊接 Soldering</p> <p>(1)使用電烙鐵焊接時，引線應該在 4 秒內焊接完畢，電烙鐵溫度不能高於 350°C Lead wires should be soldered within 4 seconds with the soldering iron heated to a temperature no higher than 350°C</p> <p>(2)使用浸錫方式焊接時，引線應該在 10 秒內焊接完畢，焊錫溫度不能高於 260°C，並且注意不能將整個晶體浸錫.推薦使用垂直安裝方式，避免熱力直接傳導到晶體上 In solder-dip processing,the leads should be soldered within 10 seconds with a temperature no higher than 260°C.Mounting in upright is recommendable to prevent the heat conduction directly to the body of the crystal unit.</p> <p>(3)使用波峰焊接時，請參照下面的波峰焊溫度曲線 The WAVE SOLDERING PROFILE as below is recommended for TDXLF-308 tuning fork crystal re so n a t e rs.</p> <div style="text-align: center;"> <p>The graph plots Temperature (°C) on the y-axis (ranging from 25 to 260) against Time (SEC) on the x-axis. The profile starts at 25°C and rises at 1°C/SEC to 100°C. It then enters a '1ST WAVE' phase with a slope of 200°C/SEC, reaching a peak of 270±5°C. A '2ND WAVE' follows with a slope of 5°C/SEC. The final cooling phase is at 2°C/SEC. Time markers indicate 1.5 SEC for the first wave and 100 SEC for the second wave.</p> </div>

使用說明 Processing Instructions

No.	PROCESSING INSTRUCTIONS
3	<p>石英晶體彎腳 TO BEND THE LEAD of cylinder type products</p> <p>(1)當圓柱狀晶體元件需要彎腳時，爲了防止彎腳時造成密封玻璃體的破裂，從彎腳處到晶體基座底部距離應大於 1.5mm。推薦距離 3.0mm,並使用工裝夾具進行彎腳。When the lead of cylinder type crystal units need to be bent,leave more than 1.5mm (3.0mm is recommendable) of lead from the case in order to prevent from any cracks of the hermetic sealing glass at the root of the lead,and use a jig to bend if possible.</p> <p>(2)當圓柱狀晶體元件進行彎腳時，不要剝離引線的鍍層 When bending the lead of cylinder type crystal units,do not scrape off the soldering plating from the lead surface.</p>
4	<p>元件的安裝 MOUNTING</p> <p>(1)爲了避免影響元件電性能或損壞元件，嚴禁將圓柱狀晶體元件外殼焊接在印製板上進行固定。推薦使用橡膠粘結劑進行固定 Soldering the body of the cylinder type crystal units with PCB must be</p> <div style="text-align: center;"> </div> <p>(2)當用手工來彎曲引線時，請遵照下列方法 When the lead needs to be bent by hand,please follow the instruction as below:用手指捏住圓柱晶體的外殼;用鑷子夾住引線要彎曲的部位，該部位離晶體基座底部 1.5mm 以上（推薦 3.0mm）;用鑷子夾住彎曲引線成 90°，不要用力拉引線。用力拉引線可能造成引線根部的玻璃子破裂，而產生漏氣損壞元件電性能。Hold the body of the cylinder type crystal unit in fingers;Pick at the part with tweezer,which you want to bend.There should be more than 1.5mm(3.0mm is recommended) from the body case;Bend the lead 90° by tweezer without pulling the lead strongly.If pulling the lead strongly may cause any cracks of hermetic sealing glass at the root of the lead and may cause the leakage and the characteristics to deteriorate.</p>
5	<p>石英晶體元件的清洗 CLEANING</p> <p>(1)惡劣的超聲波清洗或超聲波焊接可能會影響和損壞石英晶體元件。如果您對晶體元件進行了超聲波清洗，請一定在使用前確認晶體元件是否受到了影響和損壞 Crystal units may be affected and destroyed at worst by supersonic cleaning or supersonic welding.Please be sure to check if your cleaning and welding process affects any damage to crystal units before using.</p> <p>(2)有些清洗液也可能造成晶體元件的損壞，請在使用清洗液前確認該清洗液是否適用 Some kinds of cleaning fluid may cause any damage to crystal units.Please be sure to check suitability of the cleaning fluid in advance</p>
6	<p>貯存 STORAGE</p> <p>石英晶體元件長時間貯存在高溫或高濕環境中，可能會影響頻率的穩定性或可焊性。請將晶體元件貯存在正常的溫度和濕度環境中，避免陽光直射和露水凝結，避免貯存 6 個月以上再使用，拆封後儘快裝配使用。Storage of crystal units under higher temperature or high humidity for a long term may affects frequency stability or solderability .Please store the crystal units under the normal temperature and humidity without exposing to direct sunlight and dew condensation</p>

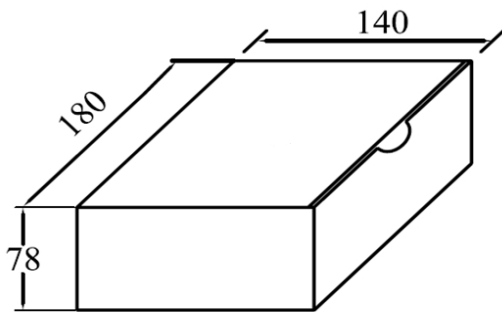
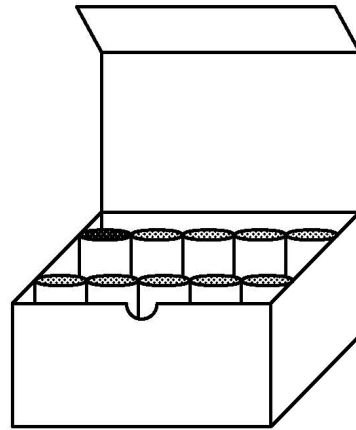
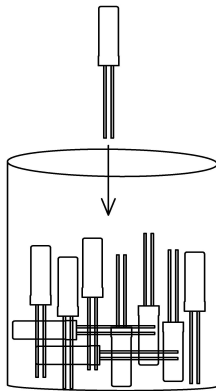
包装 PACKING

Packing For Pb Free Parts:

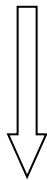
1.INNER BOX:(Unit:mm)

10bagsX1000pcs=10000pcs/box

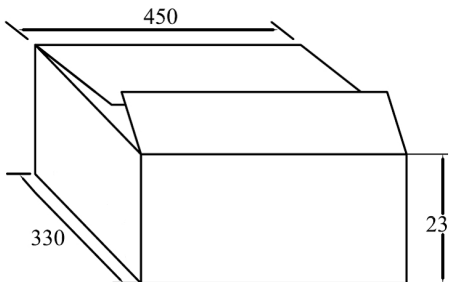
1000pcs/bag



客供品进料检验标签			
厂 商			



10 INNER BOX x10000pcs=100000pcs



Revision	A	Revised	A	initial release
Date	6-Feb.-2016	records	C	
Issued by		Hold Type	308	