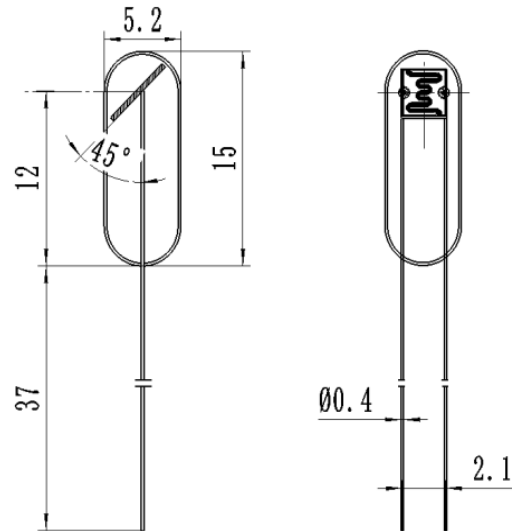


Photoconductive Cell

U11 series



PACKAGE DIMENSIONS inch(mm)



ABSOLUTE MAXIMUM RATINGS

| Parameter | Symbol | Rating | Units |
|--|--------|------------|-------|
| Continuous Power Dissipation Derate at 25°C | P_D | 50 | mW |
| Temperature Range Operating and Storage | T_A | -30 to +75 | °C |

ELECTRO-OPTICAL CHARACTERISTICS @25°C

| Type | Resistance(Ohms) | | | Spectral Response Peak(nm) | Sensitivity(γ) Log(R3/R30) | Max Voltage(V) |
|---------|---------------------|------|-------------------------|----------------------------------|--|-------------------|
| | 10Lux (K Ω) | | Dark/5sec (M Ω) | | | |
| | Min | Max | Min | | | |
| U116012 | 20 | 50 | 0.36 | 550 | 0.7 | 150 |
| U116013 | 35 | 220 | 1.2 | 550 | 0.85 | 150 |
| U116014 | 150 | 1000 | 3 | 550 | 0.9 | 150 |
| U116032 | 100 | 320 | 3 | 550 | 0.7 | 400 |

- Light Resistance: Measured at 10 Lux with light (2300K color temperature) and 60-90minutes illumination at 400-600 Lux prior testing.
- Dark Resistance: Measured 5 seconds after closed 10 Lux.
- Soldering condition requirements:
 - temperature: less than 260°C
 - Time: less than 3 seconds
 - Distance from case: more than 3mm