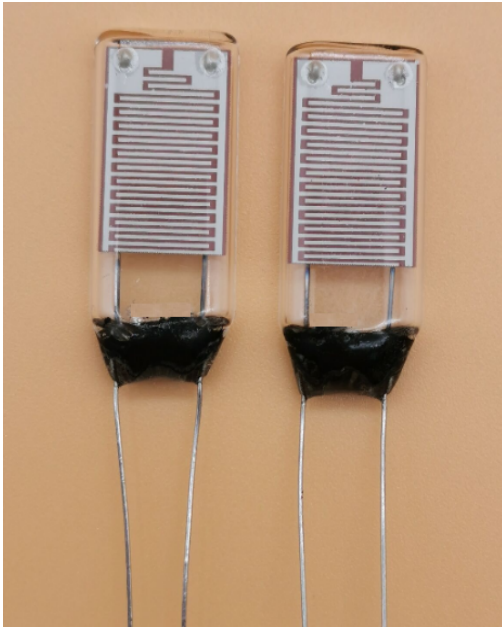
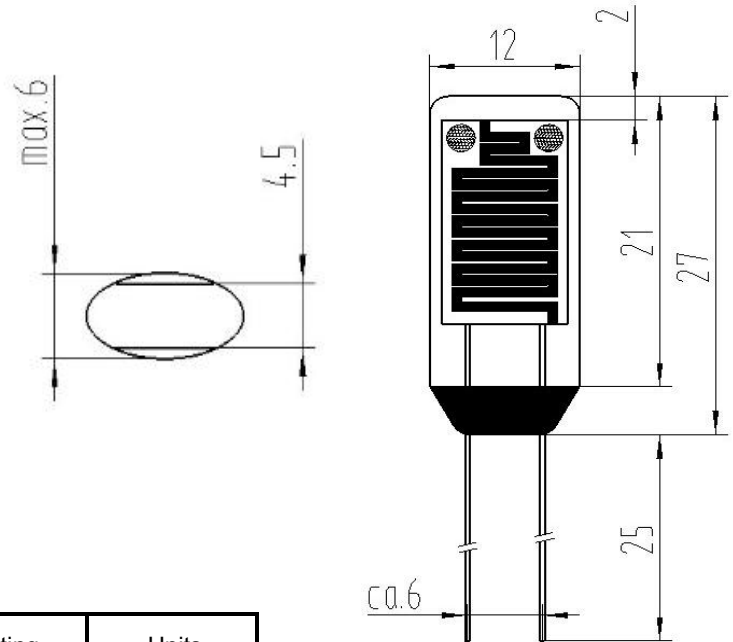


Photoconductive Cell

W556012



PACKAGE DIMENSIONS unit(mm)



ABSOLUTE MAXIMUM RATINGS

Parameter	Rating	Units
Power Dissipation at 25°C	250	mW
Voltage (AC or DC)	250	V
Temperature Range Operating and Storage	-30 to +70	°C

ELECTRO-OPTICAL CHARACTERISTICS @25°C

Resistance(Ohms)			Spectral Response Peak(nm)	Sensitivity(γ) $\lg(R_{10}/R_{100})$
50Lux		Dark(3sec)		
Min	Max	Min		
0.3K	1.8K	0.7M	600	0.85

- Light Resistance: Measured at 50 Lux with light (2856K color temperature) and 60-90minutes illumination at 400-600 Lux prior testing.
- Dark Resistance: Measured 3 seconds after closed 50 Lux.
- The error of γ is ± 0.15 .
- Soldering condition requirements: temperature: less than 260°C
Time: less than 3 seconds
Distance from case: more than 3mm

地址：深圳市龙华区民治街道牛栏前港深国际中心9楼C913

电话：0755-23210829 传真：0755-23210825

网址：www.szjchl.com 联系人：蒙奎13632890460 (微信手机同号)