

PROPOSED SPECIFICATION

Issued No. : _____

DESCRIPTION : SMD 3225 CRYSTAL
NOMINAL FREQ. : 22.118400 MHz
TAITIEN P/N : _____
REVISION : 1
DATE : _____

APPROVED	Checked	Prepared
王 鑫	许海燕	马玉玲

CUSTOMER : _____
CUSTOMER P/N : _____

Customer Signature
Approved:
Date:

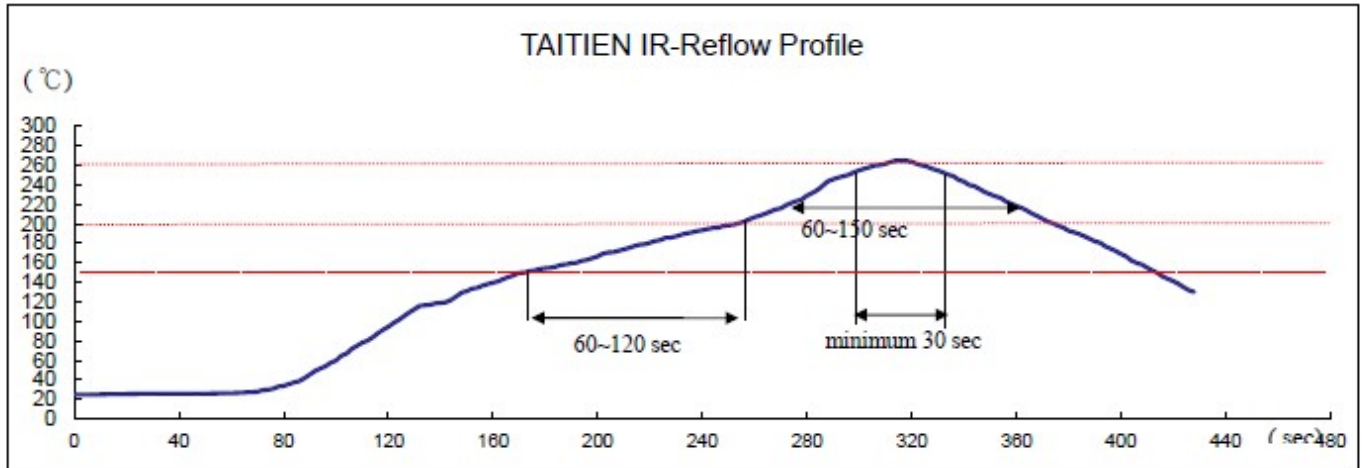
ELECTRICAL SPECIFICATIONS

	Parameter	Min.	Typ.	Max.	Units	Test Condition
1-1	Nominal Frequency	22.118400			MHz	
1-2	Frequency Tolerance.	-10		+10	ppm	at 25°C +/-2°C
1-3	Operating Temperature range	-40		+85	°C	
1-4	Storage Temperature range	-55		+125	°C	
1-5	Temperature Characteristics	-20		+20	ppm	-40°C to +85 °C
1-6	Nominal Load Capacitance	20			pF	
1-7	Series Resistance			50	Ω	
1-8	Shunt Capacitance			3.0	pF	
1-9	Motion Capacitance				fF	
1-10	Motion Inductance				mH	
1-11	Q factor				K	
1-12	Spurious Response				dB	
1-13	Frequency Pull ability				ppm/pF	
1-14	C0/C1 Ratio					
1-15	Aging	-3		+3	ppm/year	
1-16	Insulation Resistance	500MΩ Min. @ DC100V				
1-17	Nominal Drive Level	10			μ W	into Ω
1-18	Dependency Condition				μ W	
1-19	Drive Level Dependency Resistance Max. Minus Min.				Ω	
1-20	Drive Level Dependency Frequency Max. Minus Min.				ppm	
1-21	Drive Level Dependency Resistance Max.				Ω	

■ RECOMMENDED IR REFLOW PROFILE

- IR REFLOW PROFILE OF CERAMIC SMD PRODUCTS FOR Pb FREE PROCESS

TAITIEN ELECTRONICS CO., LTD.



Reference Standard: JEDEC-STD 020

Test conditions: Pre-heating : 150°C to 200°C, 60~120secs.

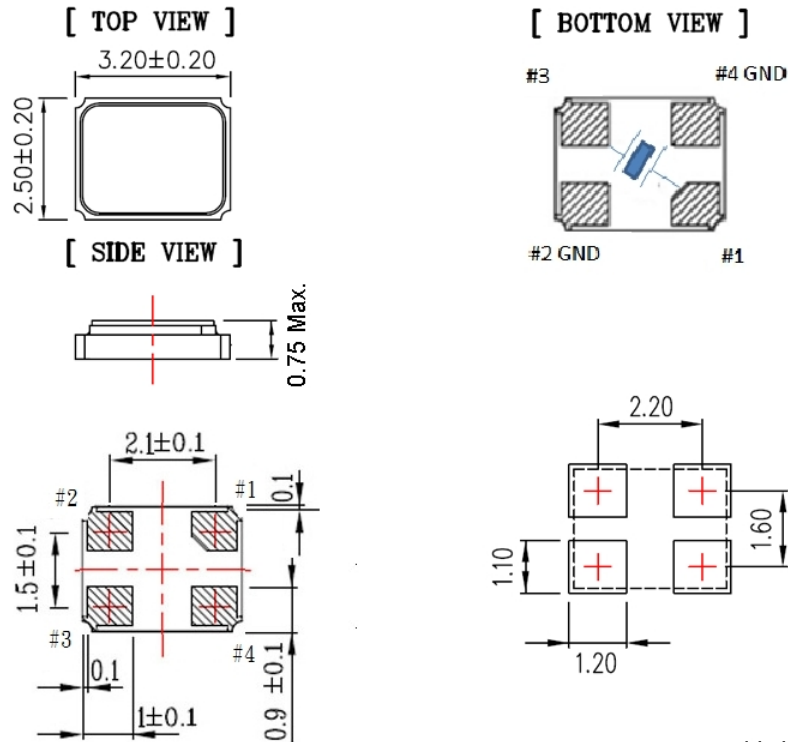
Heating : 217°C, 60~150sec.

Peak temperature at least : 260°C, The time above 255 °C : minimum 30sec.

Preheat

■ PRODUCT DIMENSIONS

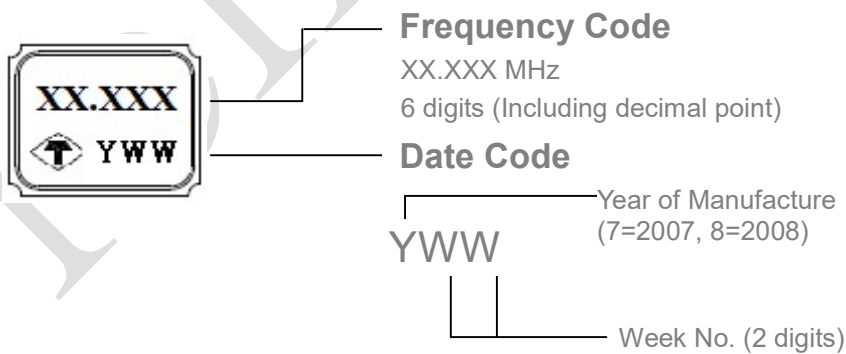
➤ DIMENSIONS



Unit:mm

■ PRODUCT IDENTIFICATION (MARKING)

➤ PROCEDURE: LASER

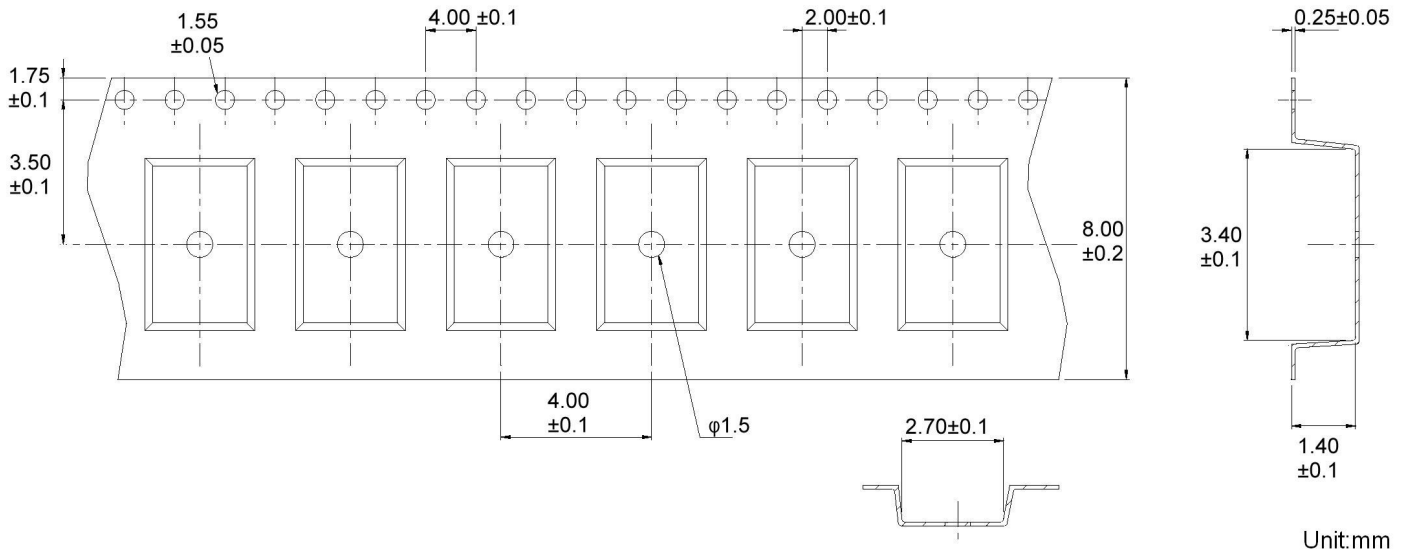


➤ FOR EXAMPLE:

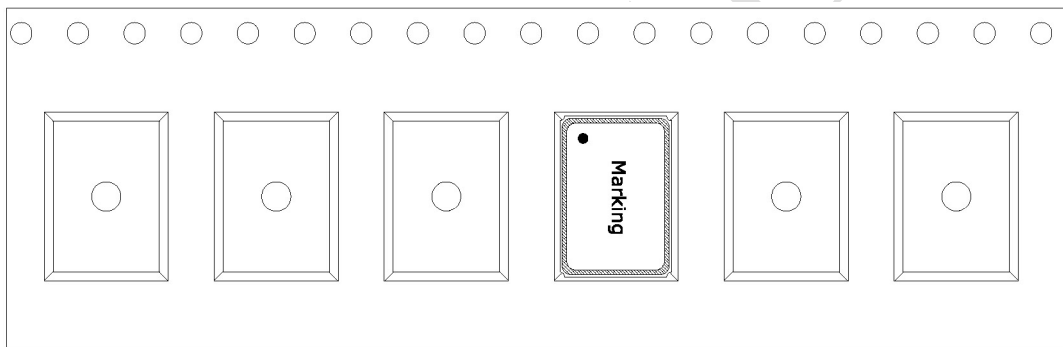


PACKAGE INFORMATION

TAPE (CARRIER) DIMENSIONS



THE DIRECTION OF PACKING



REEL DIMENSIONS

