

RoHS

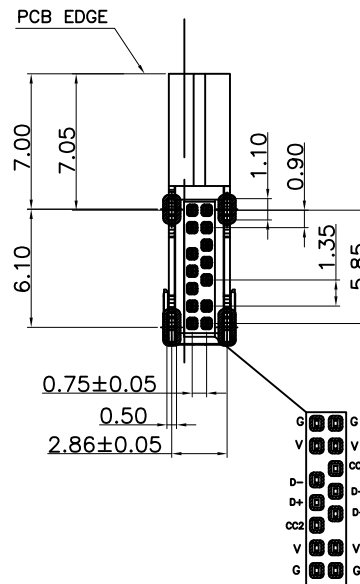
MAPX

MODIFICATION

DRW

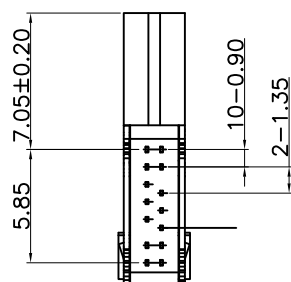
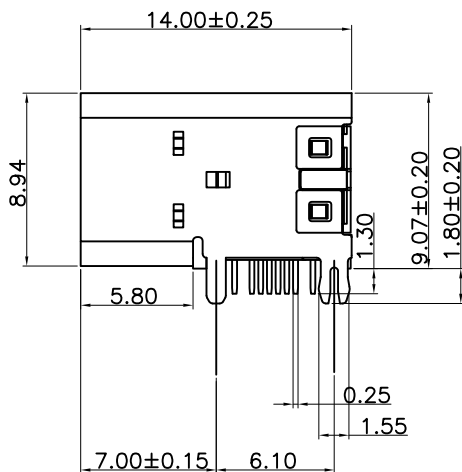
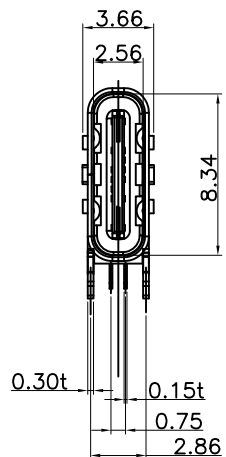
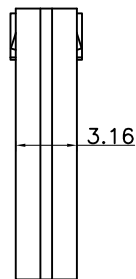
DATE

PCB板厚建议1.0~1.2MM



RECOMMENDED P.C.B. LAYOUT
TOLERANCE UNSPECIFIED ±0.05mm

NO.	DESCRIPTION	MATERIAL	COLOR	REMARK
4	TYPE C MD	HIGH TEMP	BLACK	UL 94V-0
3	CENTER PIECE	STAINLESS STEEL	—	NO Plated
2	TYPE C TERMINAL	COPPER ALLOY	—	Gold Plated
1	SHELL	STAINLESS STEEL	—	Ni Plated



NOTE :

1. Seletive Plating

- S1:5u" Gold In Contact Area
100u" Tin In Tail Area
- S2:0.8u" Gold In Contact Area
100u" Tin In Tail Area
- S3:10u" Gold In Contact Area
100u" Tin In Tail Area
- S4:15u" Gold In Contact Area
100u" Tin In Tail Area
- S5:30u" Gold In Contact Area
100u" Tin In Tail Area

<p>产品图 PRODUCT CHART DWG</p> <p>公差一览表 TOLERANCE UNLESS OTHERWISE</p>		<p>深圳市精拓金电子有限公司 Shenzhen Jing Tuo Jin Electronics Co., Ltd.</p>							
X.	±0.35	X.	±5°	单位 UNITS	MM	制图 DRAWING	Z-Y-B	制图料号 PRODUCT PART NO.	918-518K2023D50002
.X	±0.20	.X	±2°	比例 SCALE	1:1	审核 CHKD	郭治富	产品名称 PRODUCT NO.	TYPE-C2.0侧插母座14.0前直后鱼叉脚不锈钢 LCP黑胶 14PIN端子1.3
.XX	±0.10	.XX	±1°	日期 DATE	2016-09-09	核准 APPD	黄国荣	角法 VIEW	版本 VER
.XXX	±0.05	.XXX	±0.5°						A0