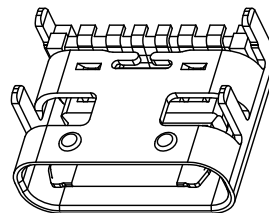
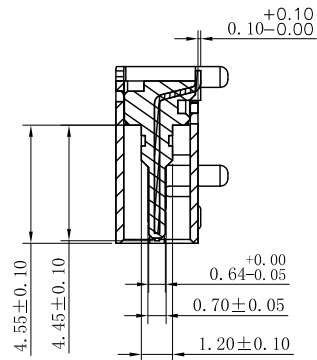
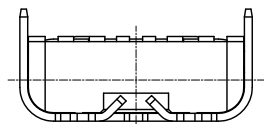


RoHS

MAPX

MODIFICATION

DATE



Specification:

1.Electrical Characteristics:

Contact Current Rating: 5 Amperes FOR VBUS.
1.25 A FOR GND PIN
0.25 A FOR OTHER

Rated Voltage: 20V Max.

Dielectric Withstanding Voltage: AC 100V r.m.s.

Insulation Resistance: 100 MΩ Minimum.

Contact Resistance: 40 mΩ Maximum.

2.Environmental:

Operating Temperature: -40°C~+85°C.

3.Mechanical Characteristics:

Insertion Force: 5~20Nf.

Withdrawal Force: 6~20Nf.

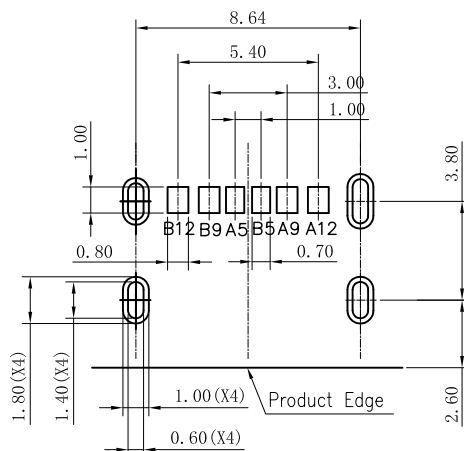
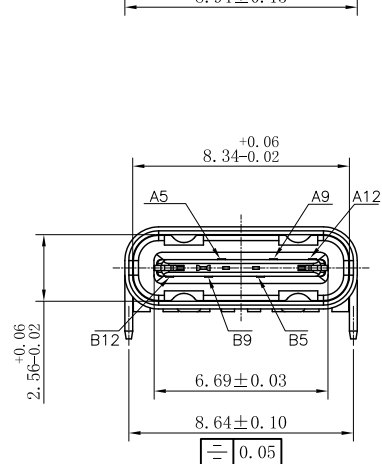
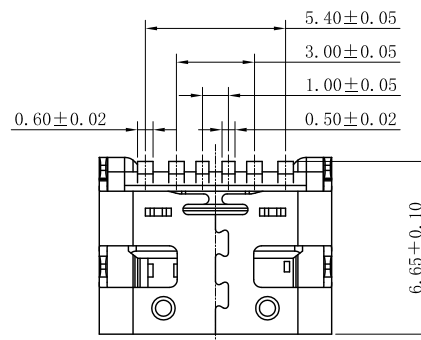
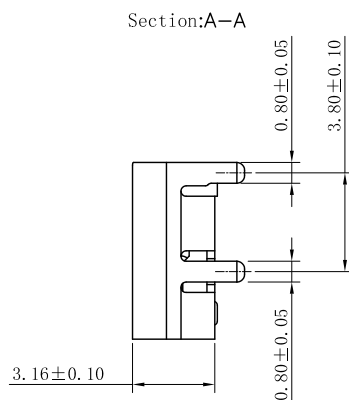
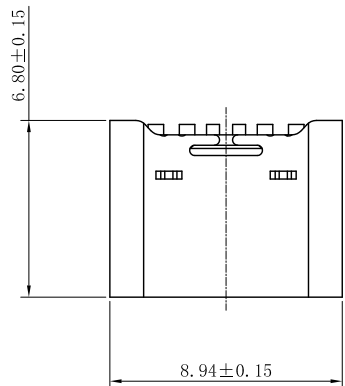
Durability Cycles: 5000 Cycles.

4. Material:

4.1,Housing:High temperature thermoplastic
with/LCP black UL94V-0

4.2,Contact: copper alloy

4.3,Shell: copper alloy



RECOMMENDED P.C.B. LAYOUT
TOLERANCE UNSPECIFIED ±0.05mm

A5	CC1	B5	CC2
A9	VBUS	B9	VBUS
A12	GND	B12	GND
PIN	SIGNAL NAME	PIN	SIGNAL NAME

<p>产品图 PRODUCT CHART DWG</p> <p>公差一览表 TOLERANCE UNLESS OTHERWISE</p>		<p>深圳市精拓金电子有限公司</p>								
X.	±0.35	X.	±5°	单位 UNITS	MM	制图 DRAWING	Z-Y-B	制图料号 PRODUCT PART NO.	918-418K2023S40006	
.X	±0.20	.X	±2°	比例 SCALE	1:1	审核 CHKD	郭治富	产品名称 PRODUCT NO.	TYPE-C3.1母座6.8脚插板CH1.68无弹单排 LCP黑胶SMT 6PIN	
.XX	±0.10	.XX	±1°	日期 DATE	2016-09-09	核准 APPD	黄国荣	角法 VIEW	版本 VER	A0
.XXX	±0.05	.XXX	±0.5°							